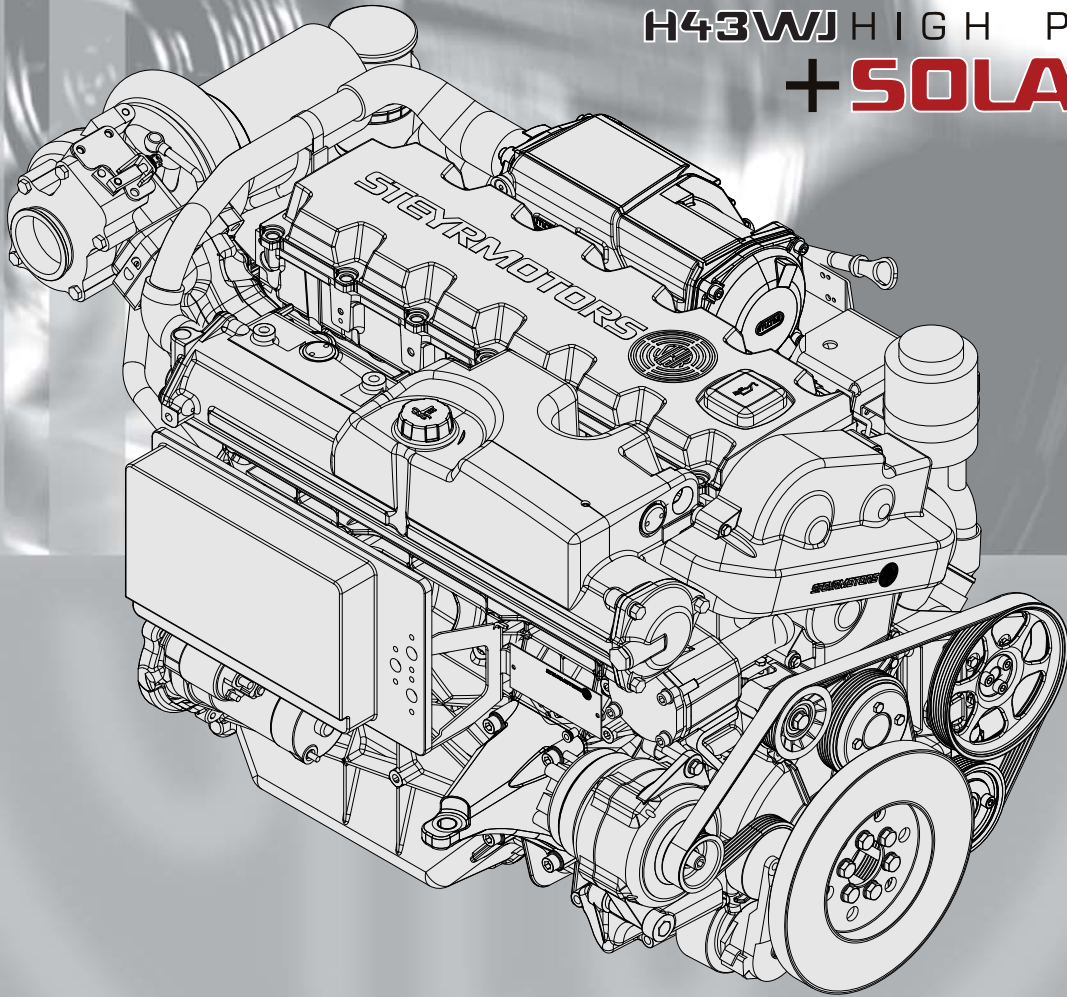




STEYR MARINE ENGINES

306 MARINE
H43WJ HIGH POWER
+ **SOLAS**



MO306H43WJ

Serial no.: 682290001-->

SPARE PARTS CATALOGUE

P/N Z011817-0 3rd Edition, August 2012

TEL ++43 / 7252 / 222 / 20

FAX ++43 / 7252 / 222 / 29

@ e.sales@steyr-motors.com



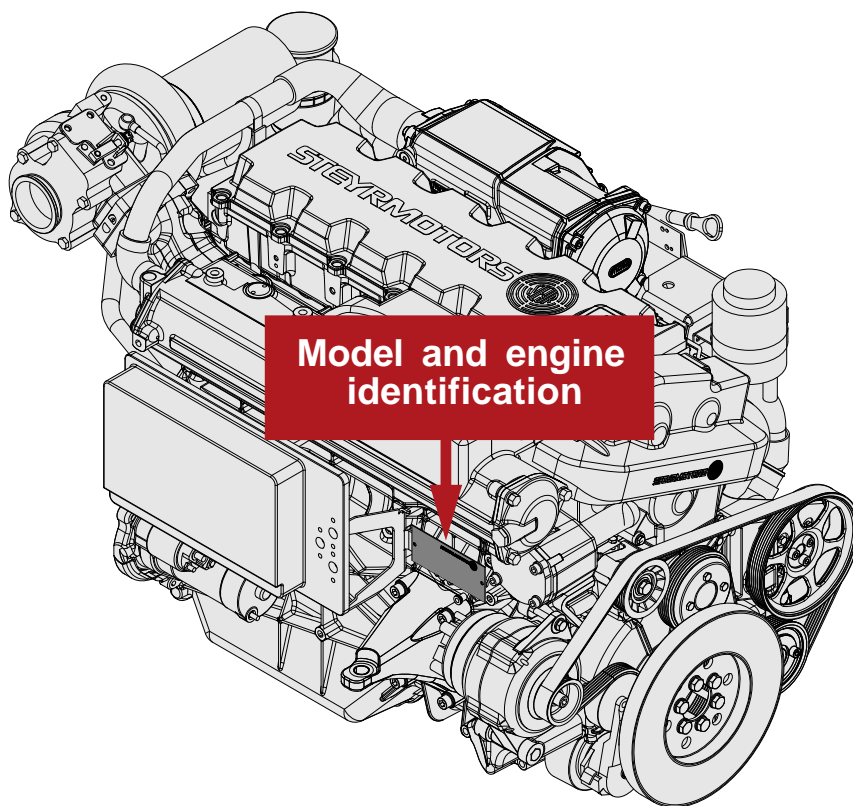
STEYRMOTORS
INNOVATION WITH LIGHTNESS



306 MARINE
H43WJ HIGH POWER
+ SOLAS

When ordering spare parts are always indicate model and engine number.
This will speed up delivery and help to avoid mistakes.

The primary model and engine number is located on the engine as illustrated. These numbers are required when requesting warranty and ordering parts.



Substituting automotive or generally supplied parts and hardware will often result in less than desired performance. For this reason, you should insist on the known quality of genuine STEYR Marine matched replacement parts, and should never use parts of unknown quality.

We reserve the right to make changes in design and execution which incorporate advances in technology!



SIGNS AND SYMBOLS

1



TA 0101

CYLINDERBLOCK

306 MARINE
H43WJ HIGH POWER
+ SOLAS

2

01016084-0

3	4	5	6	8	9	7
Pos.	Part.-No.	Qty	Designation			Step
24	Z002676-0	1	SPARE PART COVER T-BELT —>68226146			.2
26	2203711-1	1	COVER T-BELT, UPPER PART 68226147—>			.2
28	9000538-0	3	HEX.FLANGE BOLT EN 1665-M6x50 A2-70			.2

- 1 Table number
- 2 Partlist number for whole table/functional groups
- 3 Positions number
- 4 Spare part number
- 5 Quantity for one engine respectively assembly group
- 6 Designation and description of spare part
- 7 Groupparts are marked with a circle around the position number. Parts in the list below these, which had an increased step number by one, will be included at delivery.
- 8 —> 6..... Arrow before engine number:
Spare part UNTIL and LOWER
- 9 6..... —> Arrow past engine number:
Spare part FROM and HIGHER

ACROBAT

... back to "starting point"

... one page back

... one page forward





306 MARINE
H43WJ HIGH POWER
+ SOLAS

TABLE OF CONTENTS - SPARE PARTS CATALOGUE

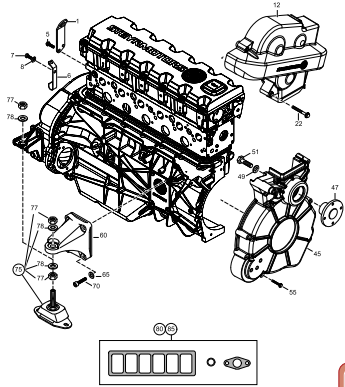

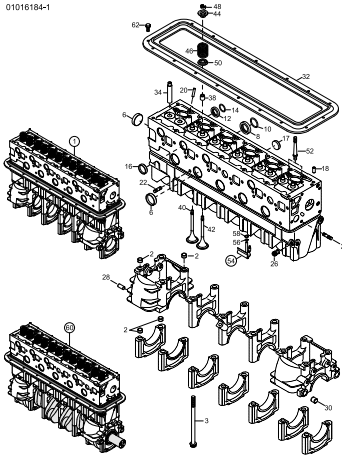

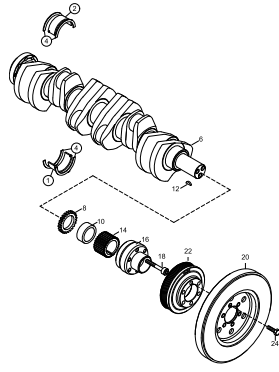

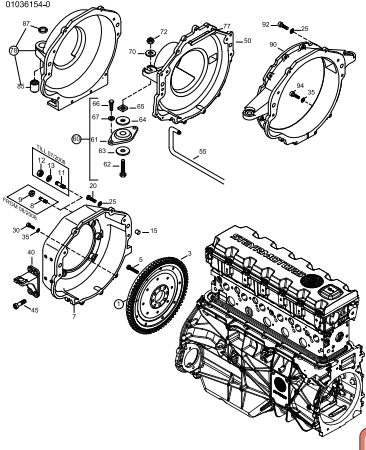

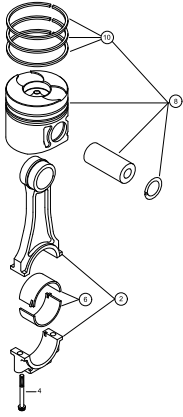

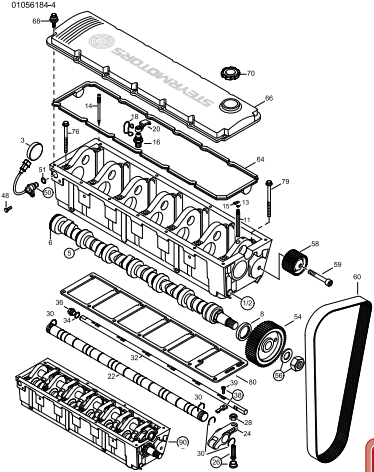

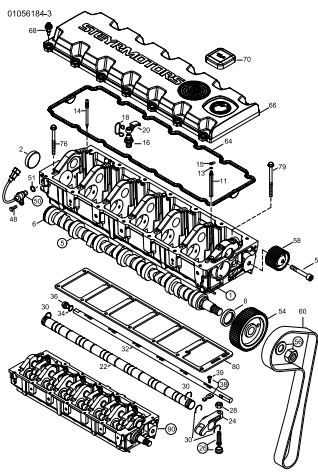

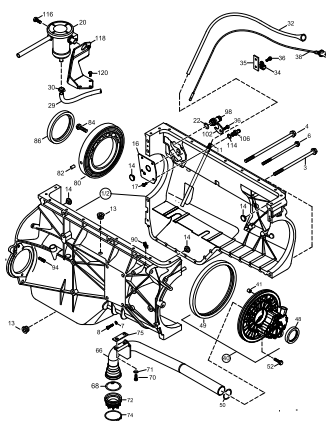

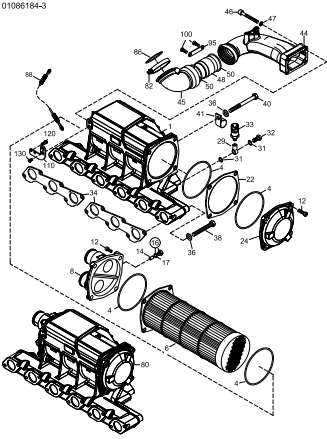

<p>TA 0100 Page 12 MOUNT BRACKET, LIFTING EYE, GASKET SET</p> <p>01006184-3</p>  	<p>TA 0101 Page 14 CRANKCASE</p> <p>01016184-1</p>  	<p>TA 0102 Page 18 CRANKSHAFT, BEARING, DAMPER</p> <p>01026184-0</p>  
<p>TA 0103 Page 20 FLYWHEEL, FLYWHEELHOUSING</p> <p>01036154-0</p>  	<p>TA 0104 Page 24 PISTON, RINGS AND PIN, CONNECTION ROD</p> <p>01046014-0</p>  	<p>TA 0105 Page 26 CAMSHAFT HOUSING, TILL -->682300699</p> <p>01056184-4</p>  
<p>TA 0105 Page 30 CAMSHAFT HOUSING, FROM 682300700--></p> <p>01056184-3</p>  	<p>TA 0106 Page 34 OILPUMP, OILPIPE, OILPAN, OIL DIPSTICK</p> <p>01066184-4</p>  	<p>TA 0108 Page 38 INTERCOOLER</p> <p>01086184-3</p>  





TABLE OF CONTENTS - SPARE PARTS CATALOGUE

306 MARINE
H43WJ HIGH POWER
+ SOLAS

<p>TA 0109 Page 32 POWER TAKE OFF FRONT</p> <p>01096184-0</p>	<p>TA 0113 Page 44 COOLANT DISTRIBUTION PIPE, OILFILTER</p> <p>01136184-2</p>	<p>TA 0114 Page 46 EXHAUST, HEAT EXCHANGER, GASKETS</p> <p>01146184-2</p>
<p>TA 0115 Page 48 OILCOOLER RAW WATER</p> <p>01156184-1</p>	<p>TA 0200 Page 50 TORSIONAL COUPLING</p> <p>02006184-2</p>	<p>TA 0210 Page 52 COUPLER</p> <p>02106184-0</p>
<p>TA 0302 Page 54 FUEL PUMP, UNIT INJECTOR, PIPE</p> <p>03026184-3</p>	<p>TA 0304 Page 56 AIRFILTER, INVERSIONVALVE SOLAS</p> <p>03046184-2</p>	<p>TA 0305 Page 58 TURBOCHARGER</p> <p>03056184-4</p>





306 MARINE
H43WJ HIGH POWER
+ SOLAS

TABLE OF CONTENTS - SPARE PARTS CATALOGUE

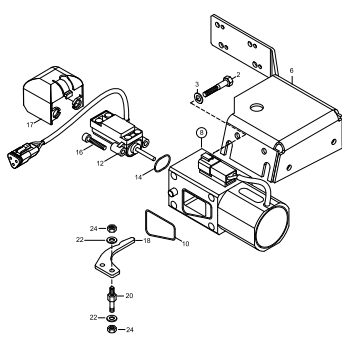

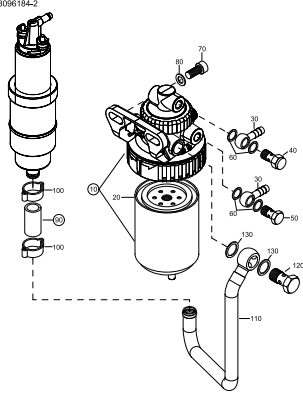

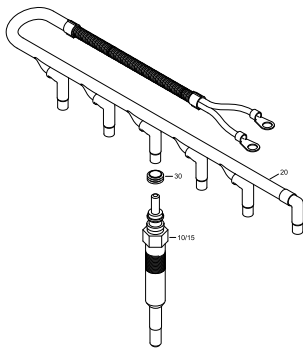

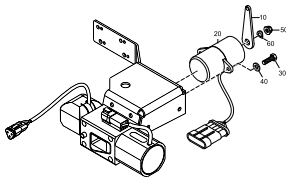

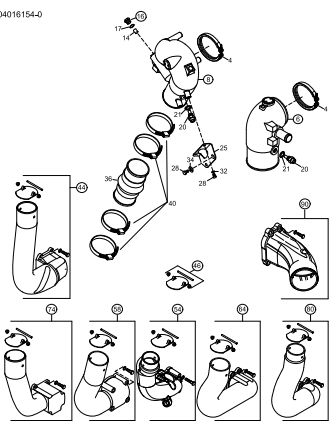

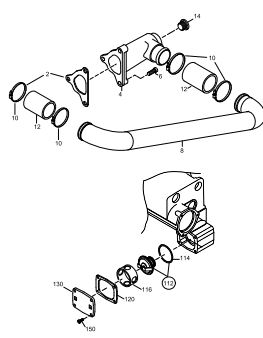

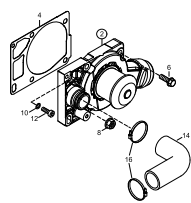

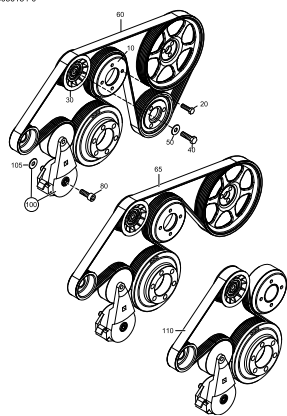

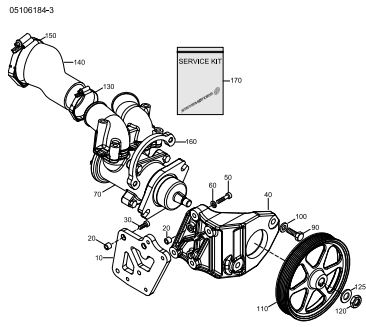

<p>TA 0308 Page 60 CONTR. SOLENOID, SENSOR CONTR. RACK POS</p>	<p>TA 0309 Page 62 FUEL FILTER</p>	<p>TA 0311 Page 64 GLOW PIN</p>
<p>03086184-2</p>  	<p>03096184-2</p>  	<p>03116084-0</p>  
<p>TA 0312 Page 66 POTENTIOMETER ACCELERATOR</p>	<p>TA 0401 Page 68 HIGH RISER, EXHAUSTPIPE</p>	<p>TA 0503 Page 70 WATERPIPE, THERMOSTAT</p>
<p>03126184-2</p>  	<p>04016154-0</p>  	<p>05036184-2</p>  
<p>TA 0504 Page 72 WATERPUMP</p>	<p>TA 0505 Page 74 DRIVE BELTS, PULLEYS, TENSIONER</p>	<p>TA 0510 Page 76 RAW WATER PUMP</p>
<p>05046184-1</p>  	<p>05056184-0</p>  	<p>05106184-3</p>  





TABLE OF CONTENTS - SPARE PARTS CATALOGUE

306 MARINE
H43WJ HIGH POWER
+ **SOLAS**

<p>TA 0512 Page 78 RAW WATER PIPES</p>	<p>TA 0601 Page 80 ALTERNATOR 14V / 90A</p>	<p>TA 0603 Page 82 STARTING MOTOR</p>
<p>TA 0605 Page 84 ENGINE HARNESS</p>	<p>TA 0606 Page 86 SECURETYSYSTEM, FUSES, ECU, E-BOX</p>	<p>TA 0607 Page 88 INSTRUMENTPANEL (STANDARD)</p>
<p>TA 0607 Page 90 INSTRUMENTPANEL (STANDARD)</p>	<p>TA 0609 Page 92 INSTRUMENTPANEL SOLAS (STANDARD)</p>	<p>TA 0609 Page 94 INSTRUMENTPANEL SOLAS (STANDARD)</p>





306 MARINE
H43WJ HIGH POWER
+ SOLAS

TABLE OF CONTENTS - SPARE PARTS CATALOGUE

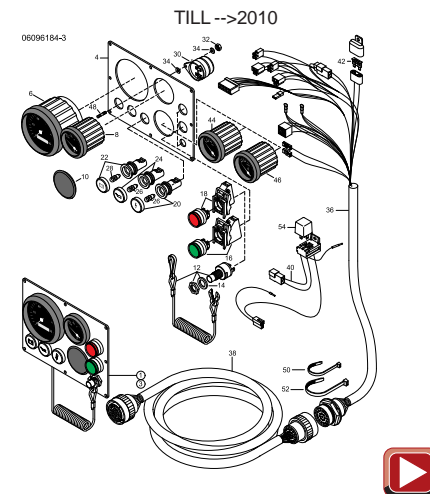

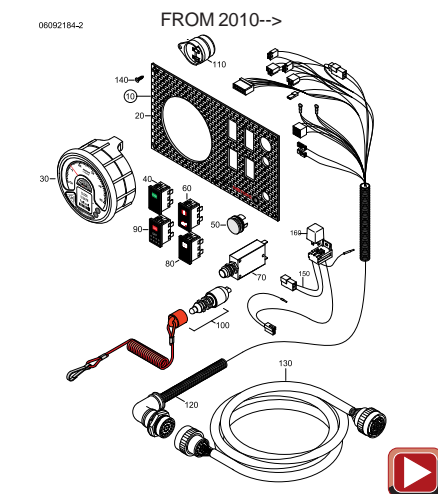

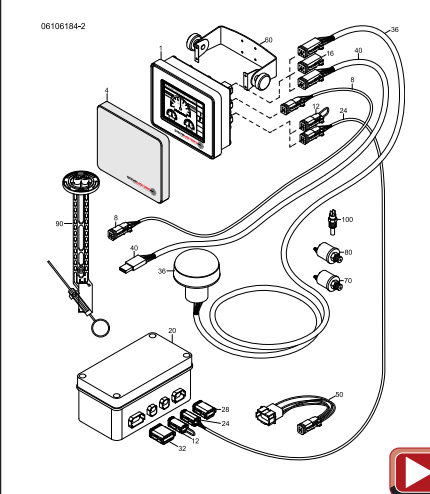

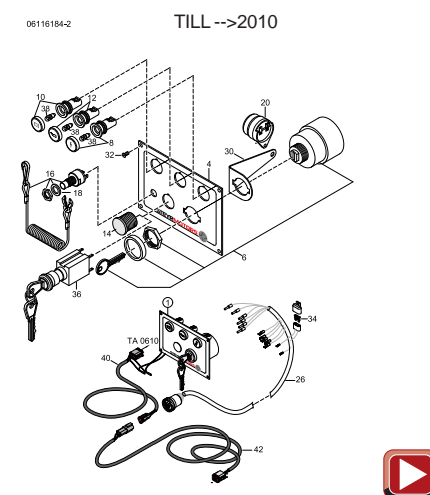

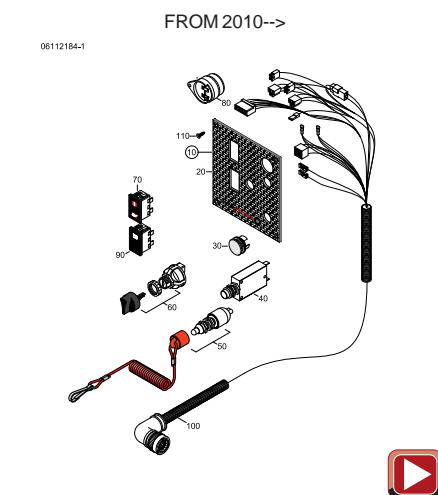

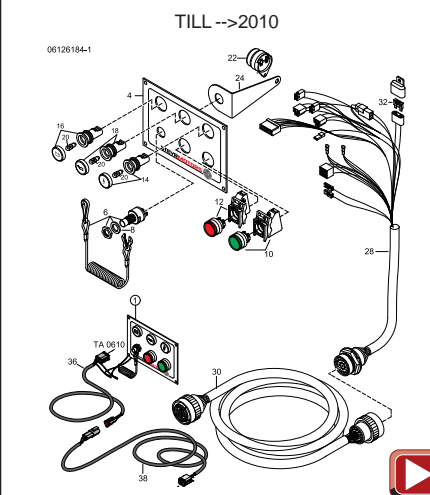

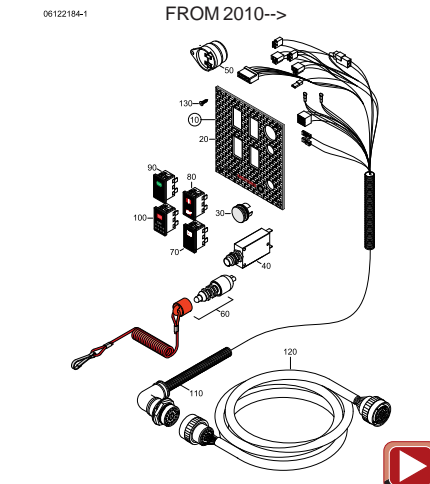

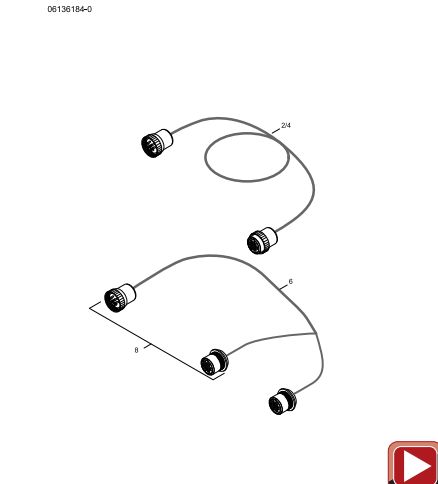

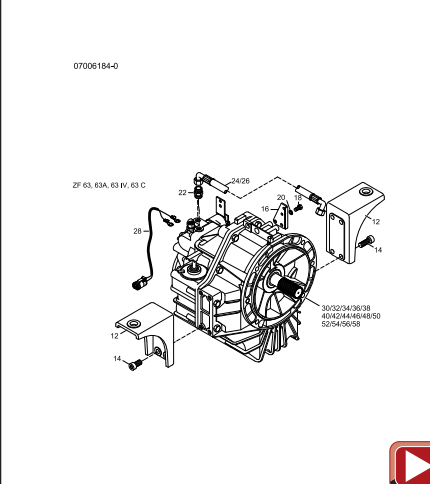

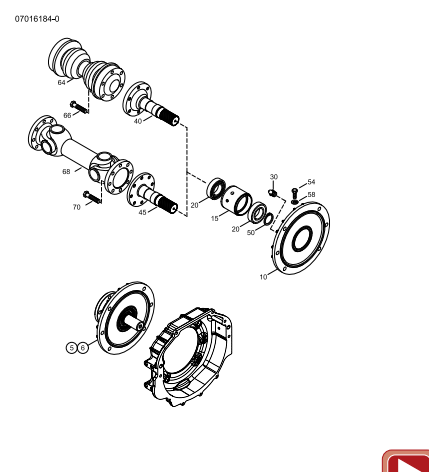

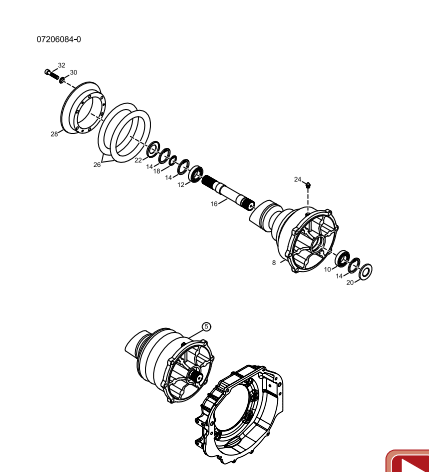

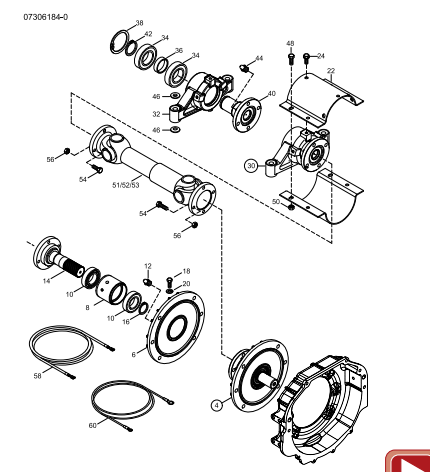

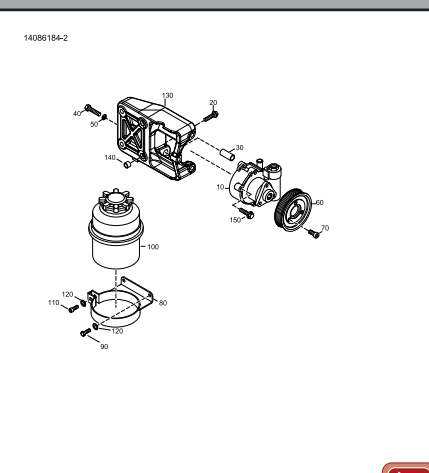

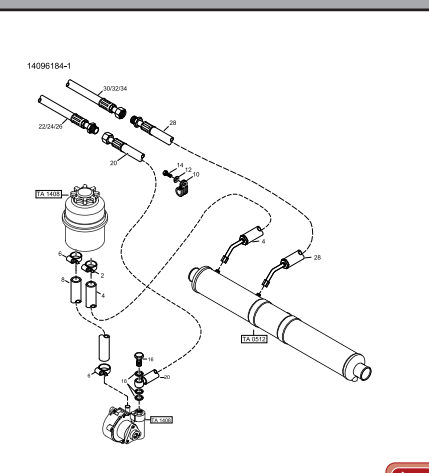

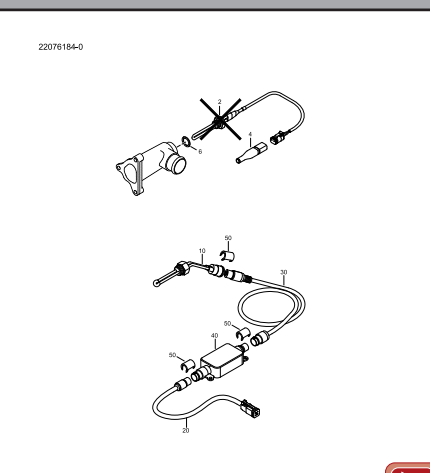

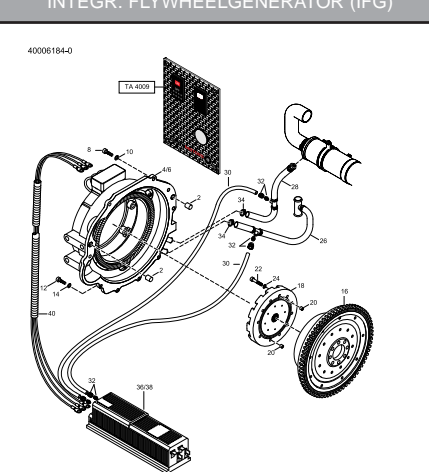

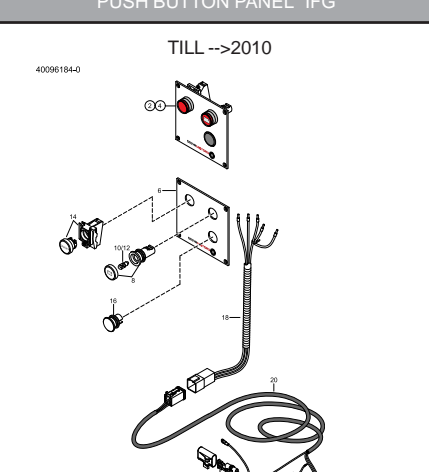

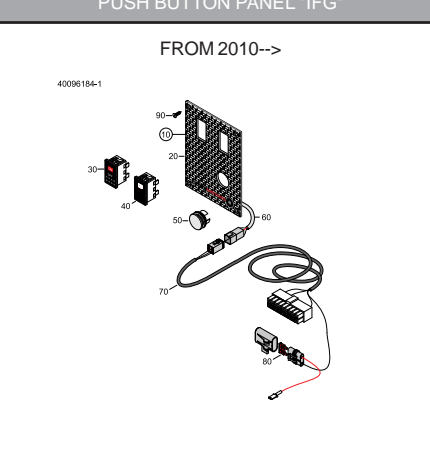

<p>TA 0609 Page 96 INSTRUMENTPANEL SOLAS 24V</p>	<p>TA 0609 Page 98 INSTRUMENTPANEL SOLAS 24V</p>	<p>TA 0610 Page 100 SCC-DISPLAY</p>
<p>TILL -->2010</p>  <p>06096184-3</p> 	<p>FROM 2010--></p>  <p>06092184-2</p> 	 <p>06106184-2</p> 
<p>TA 0611 Page 102 SWITCH PANEL FOR DISPLAY</p>	<p>TA 0611 Page 104 SWITCH PANEL FOR DISPLAY</p>	<p>TA 0612 Page 106 PUSH BUTTON PANEL SOLAS FOR DISPLAY</p>
<p>TILL -->2010</p>  <p>06116184-2</p> 	<p>FROM 2010--></p>  <p>06112184-1</p> 	<p>TILL -->2010</p>  <p>06126184-1</p> 
<p>TA 0612 Page 108 PUSH BUTTON PANEL FOR SOLAS DISPLAY</p>	<p>TA 0613 Page 110 EXTENSION CABLE INSTRUMENTS</p>	<p>TA 0700 Page 112 TRANSMISS., MOUNTING BRACKETS, PIPES</p>
<p>FROM 2010--></p>  <p>06122184-1</p> 	 <p>06136184-0</p> 	 <p>07006184-0</p> <p>ZF 63, 63A, 63 IV, 63 C</p> <p>3032/34/36/38 40/32/34/36/38/50 52/54/56/58</p> 



TABLE OF CONTENTS - SPARE PARTS CATALOGUE

306 MARINE
H43WJ HIGH POWER
+ SOLAS

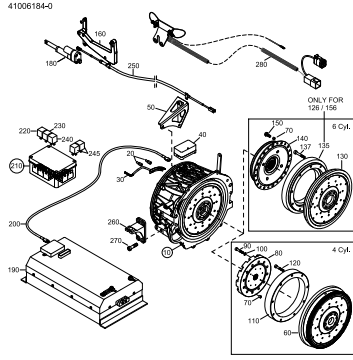

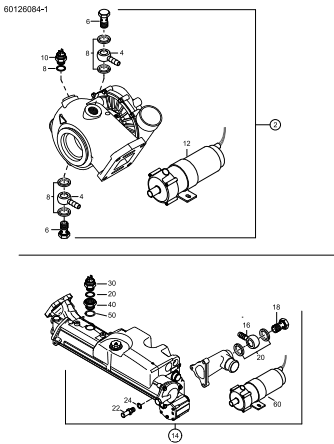

<p>TA 0701 Page 114 TRANSMISSION-SHAFT, PTO-SHAFT</p>  	<p>TA 0720 Page 116 DRIVE ADAPTOR VOLVO STERNDRIVE</p>  	<p>TA 0730 Page 118 DRIVE SHAFT EXT. MERCURY STERNDRIVE</p>  
<p>TA 1408 Page 120 HYDRAULIC PUMP</p>  	<p>TA 1409 Page 122 HYDRAULIC PIPES</p>  	<p>TA 2207 Page 124 ENGINE PREHEATING</p>  
<p>TA 4000 Page 126 INTEGR. FLYWHEELGENERATOR (IFG)</p>  	<p>TA 4009 Page 128 PUSH BUTTON PANEL "IFG"</p> <p>TILL -->2010</p>  	<p>TA 4009 Page 130 PUSH BUTTON PANEL "IFG"</p> <p>FROM 2010--></p>  





306 MARINE
H43WJ HIGH POWER
+ SOLAS

TABLE OF CONTENTS - SPARE PARTS CATALOGUE

TA 4100 Page 132 HYBRID	TA 6012 Page 134 HEATING UNIT, CIRCULATION PUMP	
 	 	





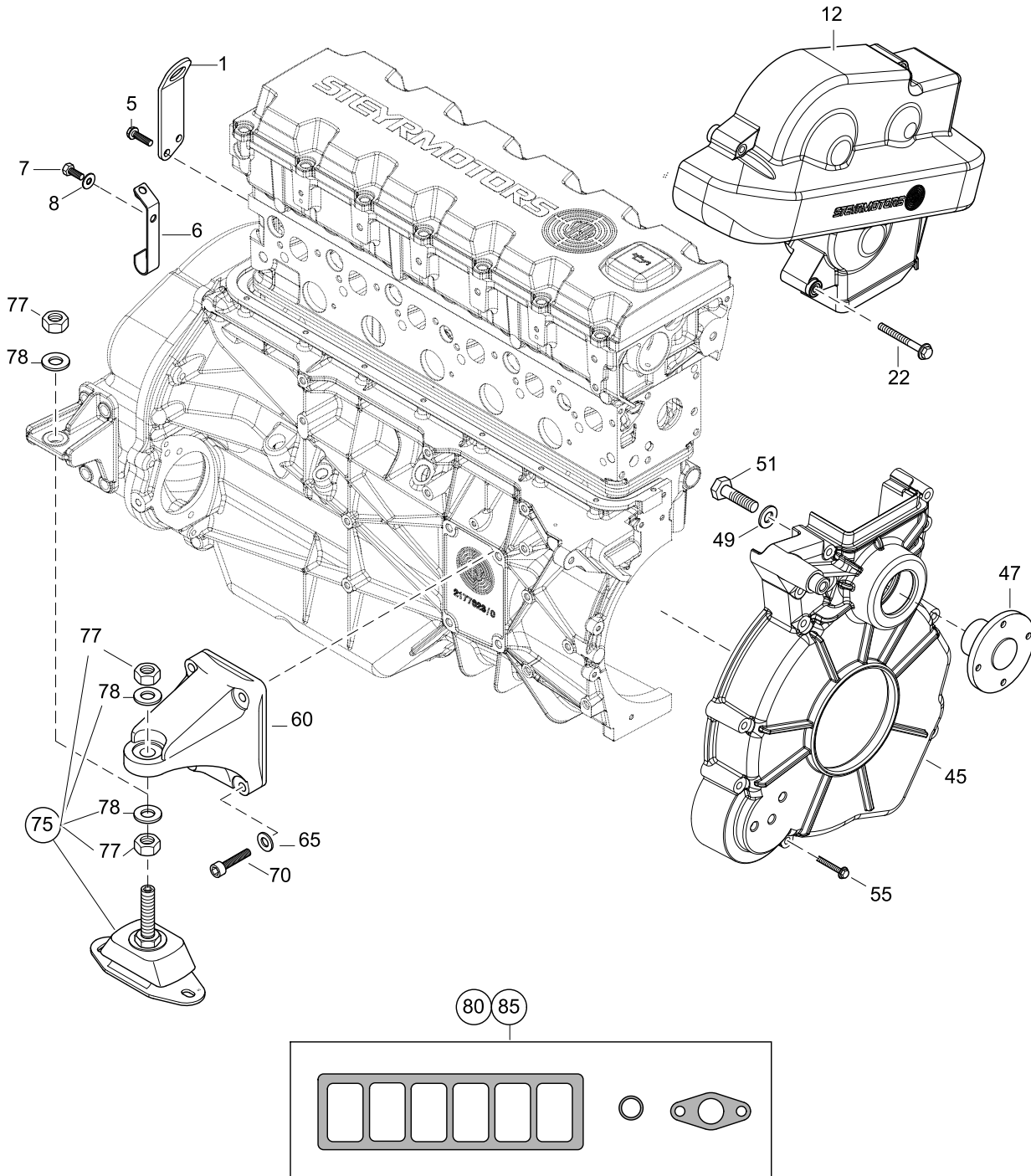
TA 0100



306 MARINE
H43WJ HIGH POWER
+ **SOLAS**

MOUNT BRACKET, LIFTING EYE, GASKET SET

01006184-3



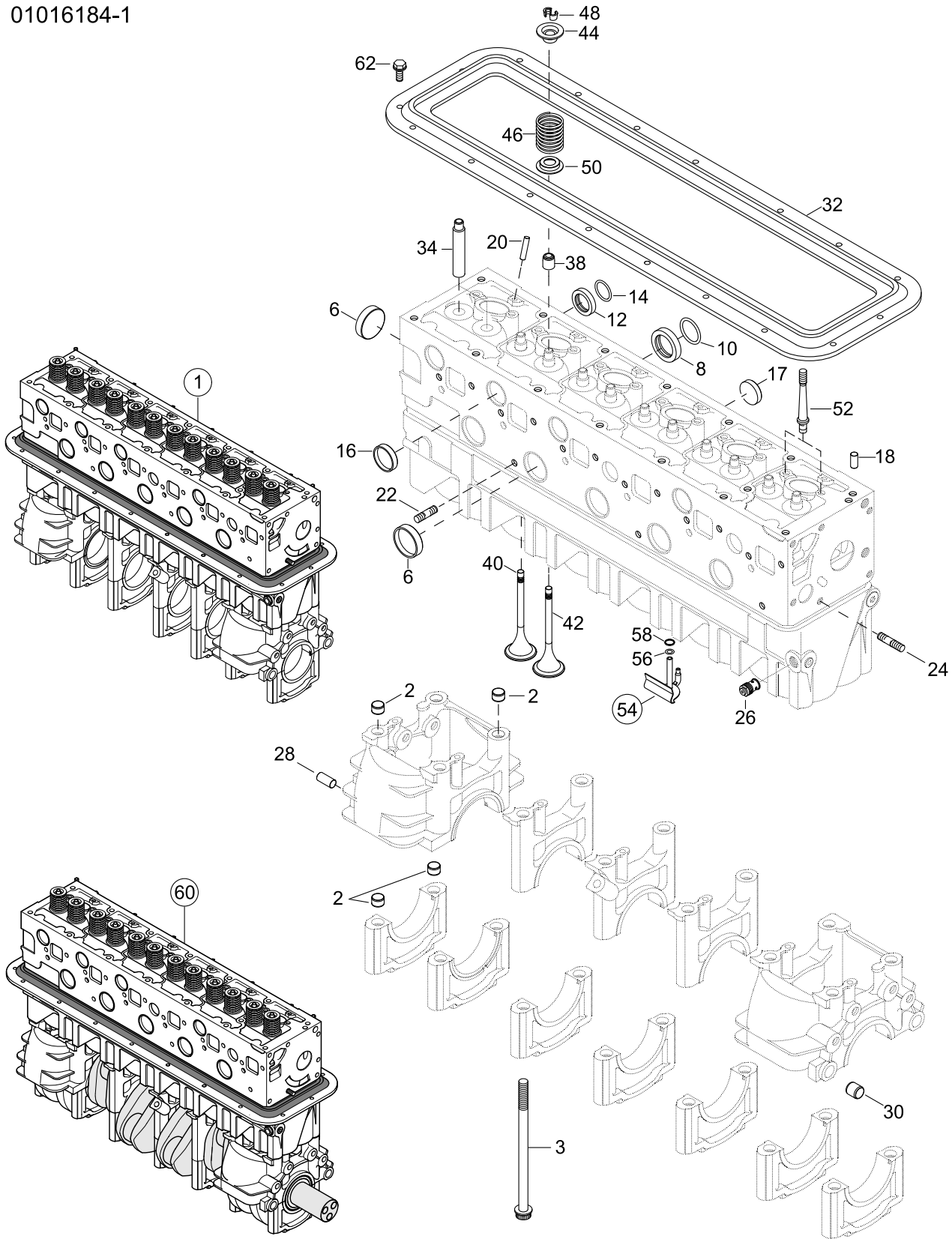


TA 0101

306 MARINE
H43WJ HIGH POWER
+ **SOLAS**

CRANKCASE

01016184-1





CRANKCASE	306 MARINE H43WJ HIGH POWER + SOLAS
------------------	--

01016184-1

Pos.	Part.-No.	Qty	Designation	Step
1	MZ60184-1	1	CYL. BLOCK ASSY. MARINE (INCL. VALVES)	.2
2	2172799-0	24	FITTING SLEEVE DM14.5	..3
3	2174329-0	14	BOLT, MAIN BEARING	..3
6	2170309-0	6	CORE HOLE PLUG 40/8	..3
8	2179011-0	3	SLEEVE WATER INLET	..3
10	2173705-1	3	O-RING 21,82x3,53	..3
12	2179011-1	2	SLEEVE WATER INLET	..3
14	2179522-0	2	O-RING 19.2x3	..3
16	2172170-0	3	CORE HOLE PLUG 28/7	..3
17	2173768-0	4	CORE HOLE PLUG 22/8	..3
18	3901416-0	2	PARALLEL PIN ISO 2338-8m6x16-ST	..3
20	3901328-0	6	PARALLEL PIN ISO 2338-6m6x30-ST	..3
22	9000327-0	3	STUD DIN 939-M6x20-8.8-A2C	..3
24	3812435-0	1	STUD DIN 938-M8x35-8.8-A3C	..3
26	2178525-3	1	COOLING OIL VALVE ASSY.	..3
28	3901509-0	2	PARALLEL PIN ISO 2338-10m6x20-ST	..3
30	2170298-0	2	FITTING SLEEVE DM12.5	..3
32	2205379-0	1	FRAME SEAL	..3
34	2172133-N	12	VALVE GUIDE	..3
38	2172096-1	12	VALVE STEM SEAL	..3
40	2177577-1	6	EXHAUST VALVE	..3
42	2177576-6	6	INTAKE VALVE	..3
44	2177349-0	12	VALVE-SPRING RETAINER	..3
46	2172362-0	12	VALVE SPRING	..3
48	2170171-0	24	VALVE COLLET	..3
50	2177415-0	12	VALVE SPRING WASHER	..3
52	2174321-1	12	STUD UNIT INJECTOR	.2
54	2178478-3	6	SPRAYING NOZZLE ASSY.	.2
56	2179896-0	6	O-RING 5,23 x 2,62 (GREEN)	..3
58	2179658-0	6	BACK-UP RING	.2
60	MT60184-1	1	PARTIAL ENGINE	.2





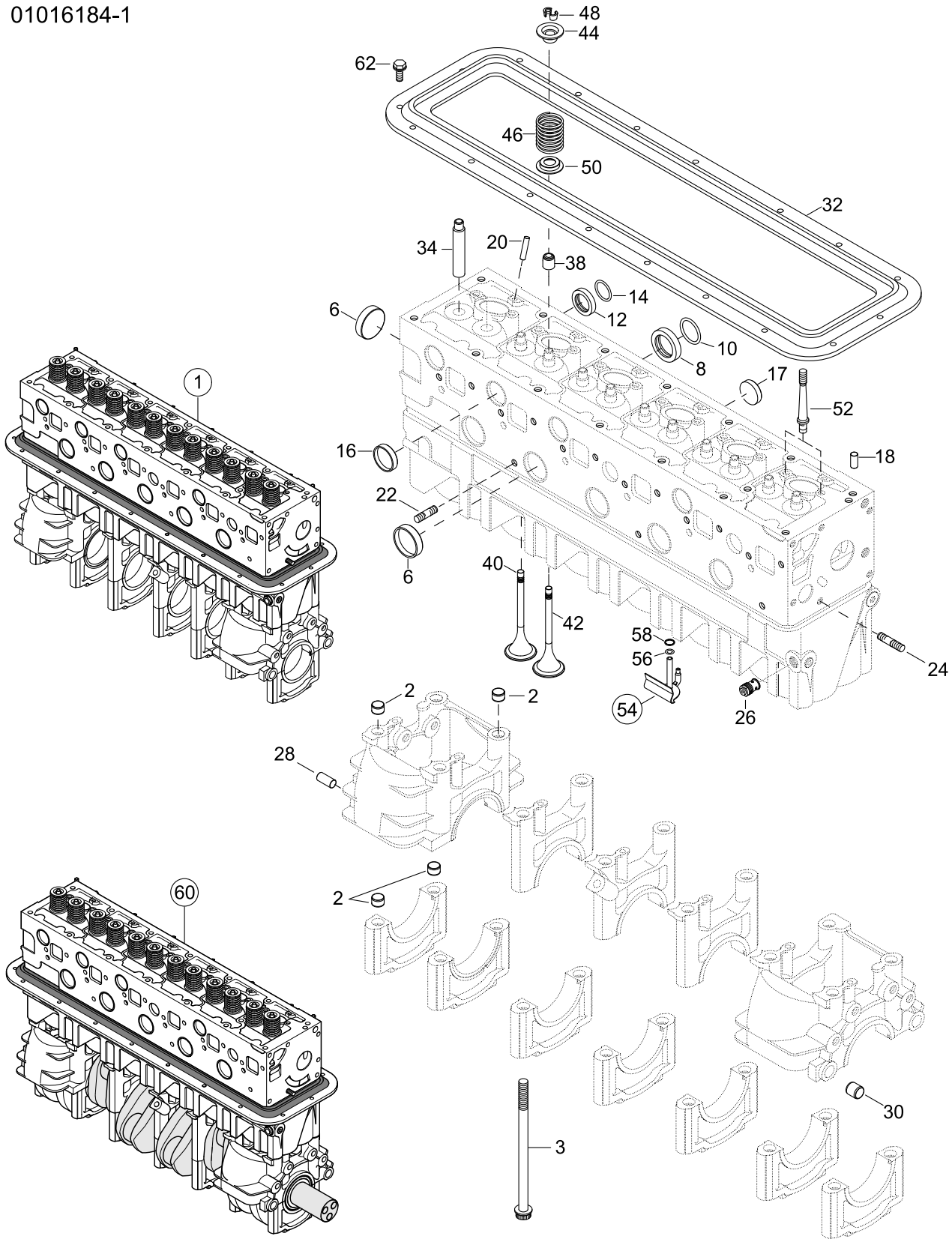
TA 0101



306 MARINE
H43WJ HIGH POWER
+ **SOLAS**

CRANKCASE

01016184-1





CRANKCASE	306 MARINE <small>H43WJ HIGH POWER</small> + SOLAS
------------------	--

01016184-1

Pos.	Part.-No.	Qty	Designation	Step
62	9000287-0	17	HEX.FLANGE BOLTEN 1665-M6x12-8.8	.2



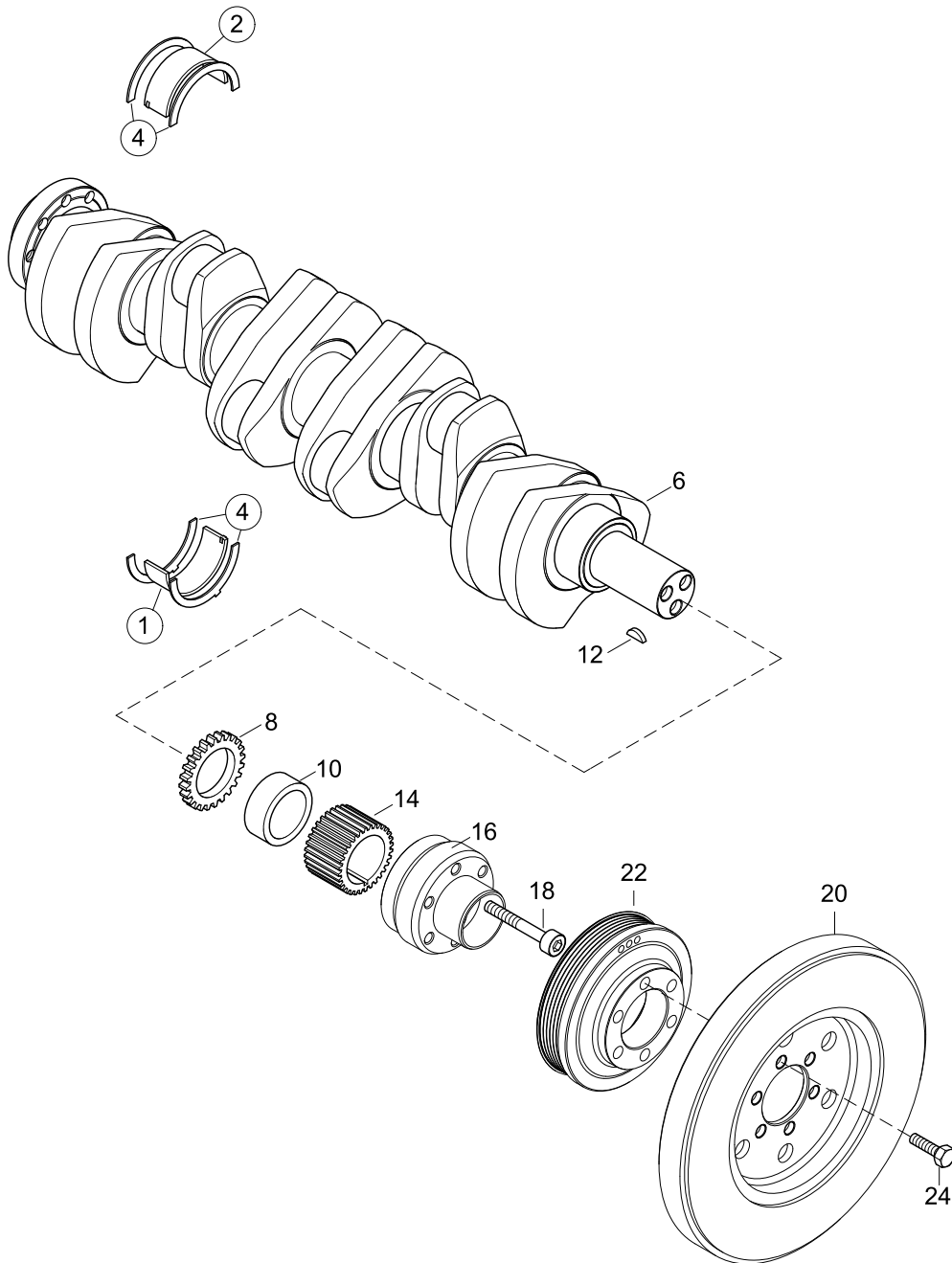


TA 0102

306 MARINE
H43WJ HIGH POWER
+ **SOLAS**

CRANKSHAFT, BEARING, DAMPER

01026184-0



CRANKSHAFT, BEARING, DAMPER

306 MARINE
H43WJ HIGH POWER
+ **SOLAS**

01026184-0

Pos.	Part.-No.	Qty	Designation	Step
2	Z002003-0	7	MAIN BEARING KIT, CRANKSHAFT	.2
4	Z002002-0	1	AXIAL BEARING KIT, CRANKSHAFT	.2
6	2172816-0	1	CRANKSHAFT 6 ZYL.	.2
8	2172584-2	1	GEAR, OILPUMP DRIVE CRANKSHAFT	.2
10	2172316-0	1	BARREL RING	.2
12	3960012-0	1	WOODRUFFKEY DIN 6888-8x9	.2
14	2172770-2	1	SYNCHRONOUS BELT PULLEY CRANKSHAFT	.2
16	2179873-0	1	ADAPTER FLANGE, VISCO-DAMPER	.2
18	9000635-0	3	HEX.SOCK. HD.CAP SCR. DIN 912-M12x90-12.9-DAC A500	.2
20	2200664-2	1	VIBRATIONDAMPER	.2
22	2179889-0	1	PULLEY, CRANKSHAFT	.2
24	9000109-0	6	HEX.HD.BOLT ISO 4014-M10x45-12.9	.2



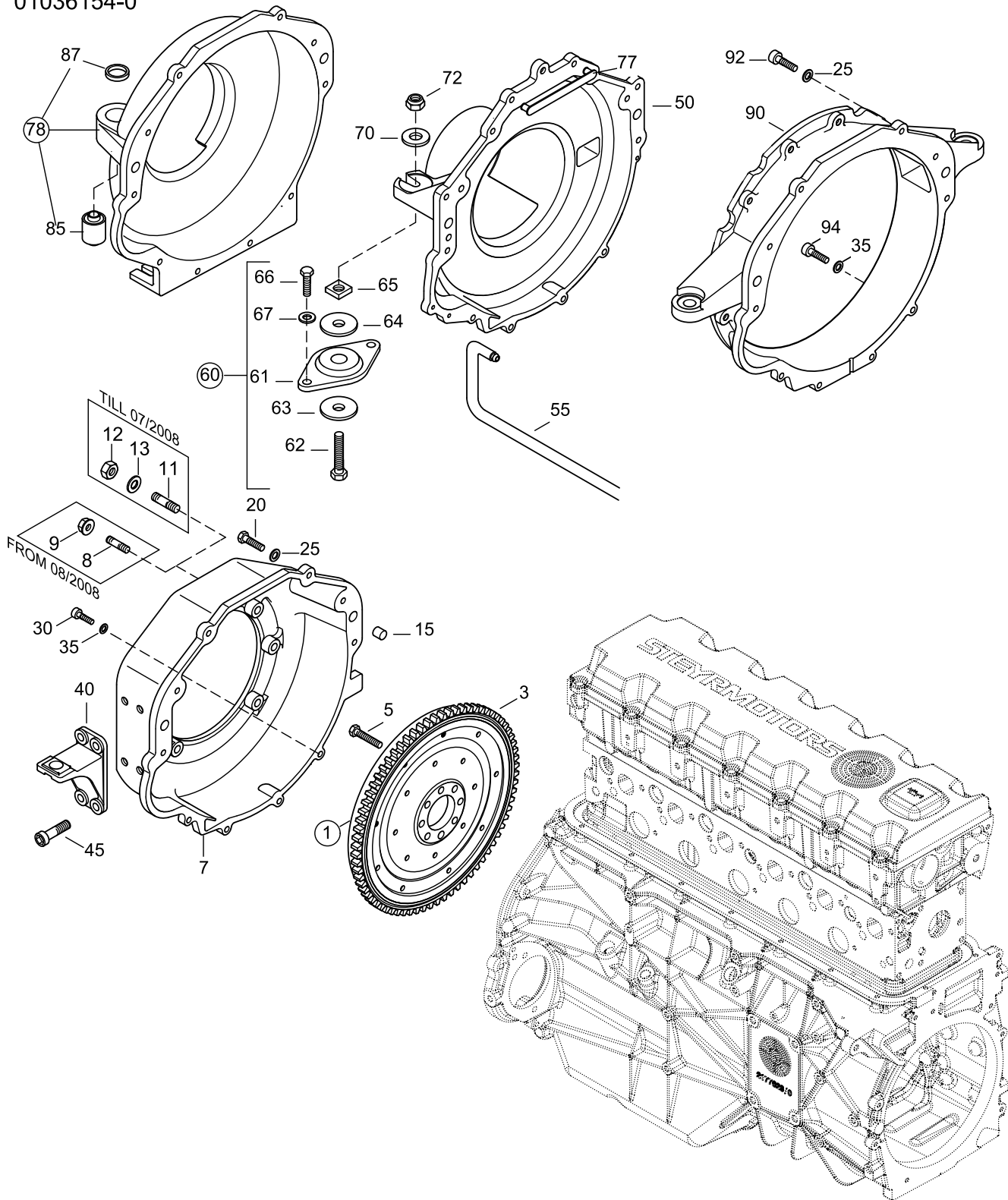


TA 0103

306 MARINE
H43WJ HIGH POWER
+ SOLAS

FLYWHEEL, FLYWHEELHOUSING

01036154-0





FLYWHEEL, FLYWHEELHOUSING

306 MARINE
H43WJ HIGH POWER
+ SOLAS

01036154-0

Pos.	Part.-No.	Qty	Designation	Step
1	2177734-1	1	FLYWHEEL ASSY.	.2
3	2177625-0	1	GEAR RIM	..3
5	2174592-0	8	HEX. HEAD SCREW M10x30-12.9	.2
7	Z002165-0	1	SPARE FLYWHEEL HOUSING B/W FLANGE PAINTED	.2
8	9000371-0	6	STUDDIN 835-M10x25-8.8-A3C	.2
9	9000042-1	6	HEX.FLANGE NUT DIN 6923-M10-8-A3C	.2
11	9000082-0	6	STUD DIN 835-M12x25-8.8-A3C	.2
12	3871319-0	6	HEX.NUT ISO 4032-M12-8-A3C	.2
13	3930282-0	6	WASHER DIN 125-A13-140HV-A3C	.2
15	3900184-0	2	SPRING PIN, SLIGHT TYPE DIN 7346-16x22	.2
20	3862545-0	5	HEX.SOCK. HD.CAP SCR. DIN 912-M10x35-A2-70	.2
25	3930075-0	5	WASHER DIN 125 A10.5-140HV-A2	.2
30	3862433-0	4	HEX.SOCK. HD.CAP SCR. DIN 912-M8x30-A2-70	.2
35	3930103-0	4	WASHER DIN 125-8.4-140HV-A2	.2
40	2178722-1	2	BRACKET FLYWHEEL HOUSING	.2
45	9000081-0	8	HEX.SOCK.HD.CAP SCR. DIN 912-M12x35-8.8-A3C	.2
50	O915157-9	1	HOUSING-FLYWHEEL OMC / VOLVO SX - PAINTED	.2
55	O913787-0	1	HOSE-FLYWHEEL HOUSING	.2
60	O986712-0	1	SMALL PARTS REAR MOUNTS	.2
61	O983932-0	2	REAR MOUNT ASSY	..3
62	O318573-0	2	BOLT, REAR MOUNT	..3
63	O911780-0	2	WASHER-REAR MOUNT-LOWER	..3
64	O912889-0	2	WASHER REAR MOUNT	..3
65	O911776-0	2	SQUARE NUT-REAR MOUNT	..3
66	O309484-0	4	HEX. SCREW 3/8-16UNCx1-1/4"	..3
67	O319453-0	4	WASHER	..3
70	O911778-0	2	WASHER, REAR MOUNT	.2
72	O313623-0	2	LOCK NUT, REAR MOUNT	.2
77	2178504-0	1	COVER	.2



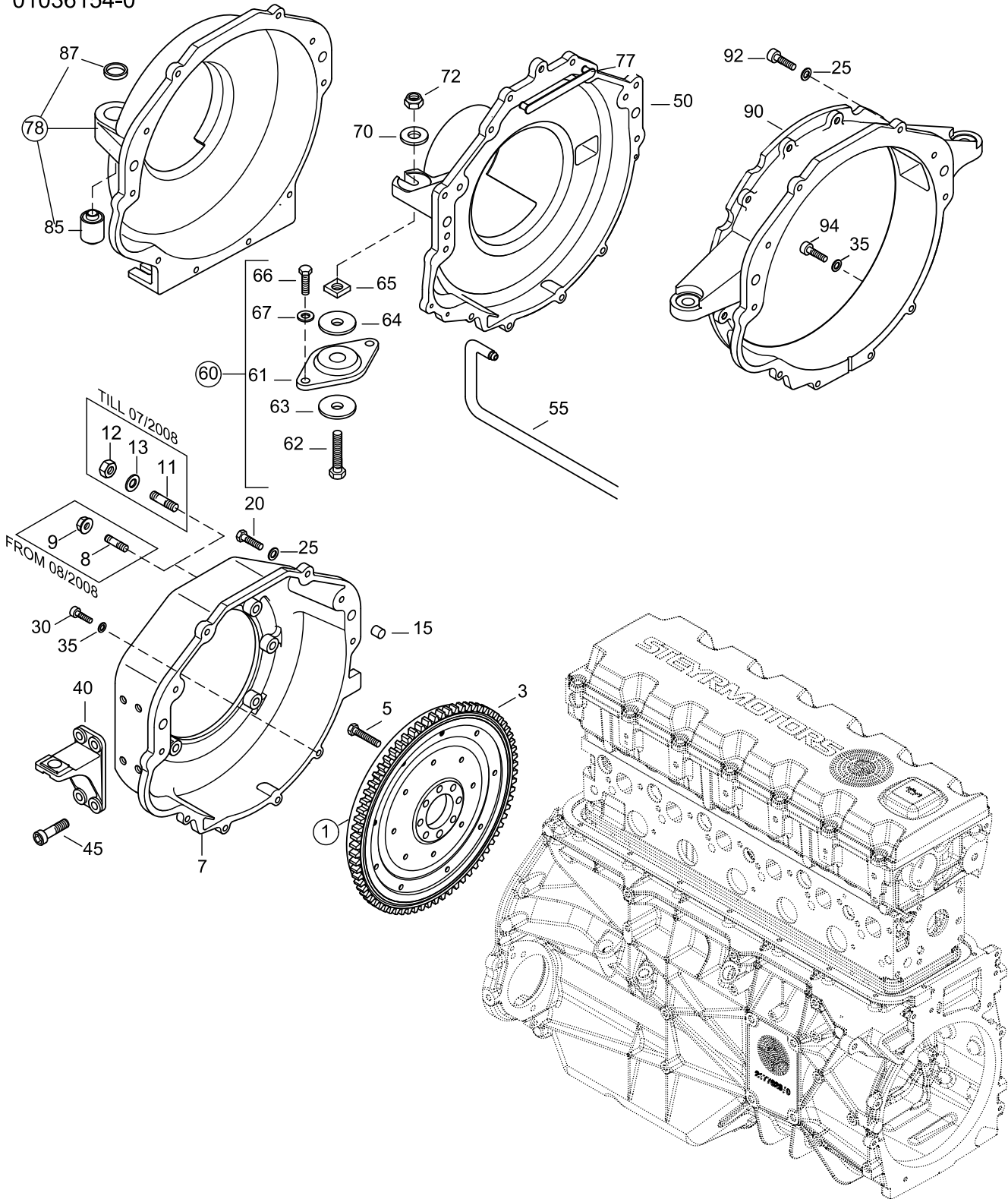


TA 0103

306 MARINE
H43WJ HIGH POWER
+ **SOLAS**

FLYWHEEL, FLYWHEELHOUSING

01036154-0



<p>FLYWHEEL, FLYWHEELHOUSING</p>	<p>306 MARINE H43WJ HIGH POWER + SOLAS</p>
---	--

01036154-0

Pos.	Part.-No.	Qty	Designation	Step
78	2178833-M	1	HOUSING FLYWHEEL MERCURY ASSY PAINTED	.2
85	2178876-2	2	SINENT BLOCK F. FLYWHEEL HOUSING	.3
87	2178877-0	2	WASHER-REAR MOUNT-LOWER	.3
90	2178052-9	1	HOUSING FLYWHEEL SAE 4 PAINTED	.2
92	3860149-0	5	HEX.SOCK. HD.CAP SCR. DIN 912-M10x40-8.8-A3C	.2
94	9000064-0	4	HEX.SOCK. HD.CAP SCR. DIN 912-M8x35-8.8-A3C	.2





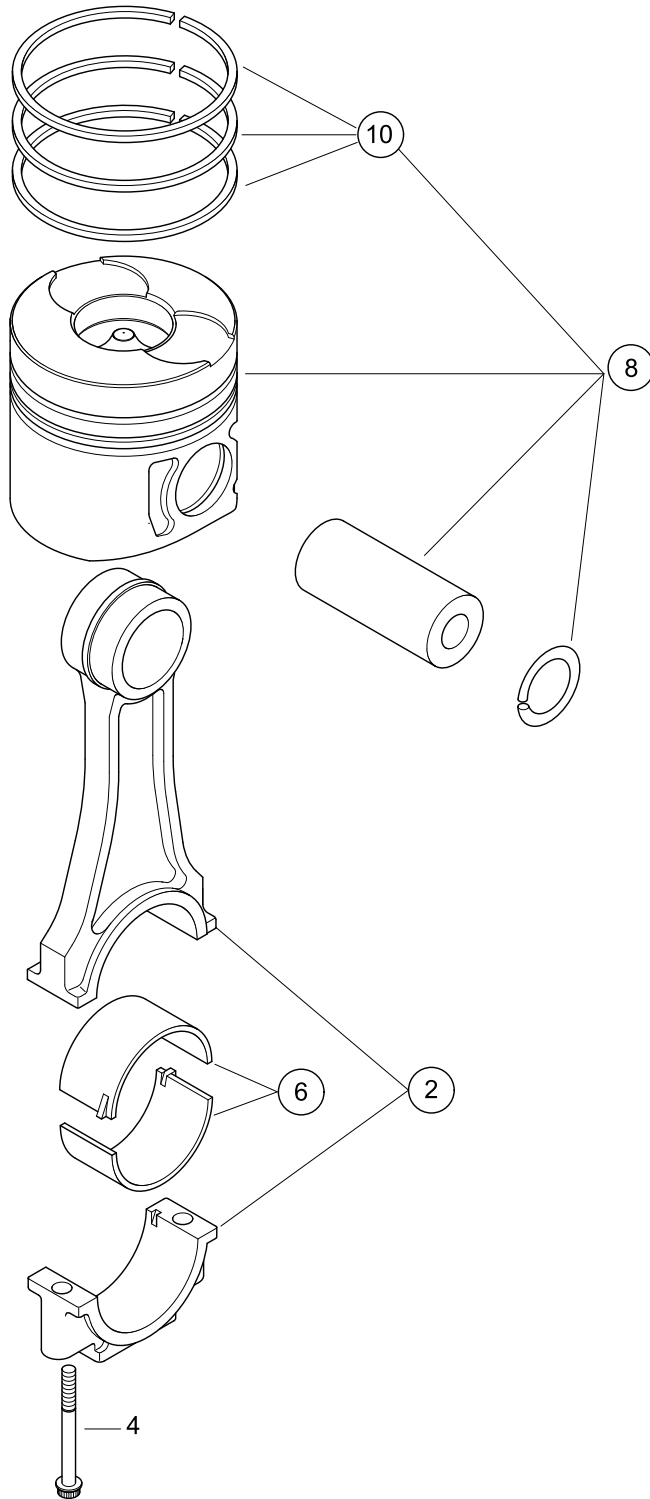
TA 0104



306 MARINE
H43WJ HIGH POWER
+ **SOLAS**

PISTON, RINGS AND PIN, CONNECTION ROD

01046014-0



PISTON, RINGS AND PIN, CONNECTION ROD	306 MARINE H43WJ HIGH POWER + SOLAS
--	--

01046014-0

Pos.	Part.-No.	Qty	Designation	Step
2	2178675-0	6	CONNECTING ROD ASSY.	.2
4	2178532-0	2	CONROD SCREW	.3
6	Z002055-1	6	BEARING KIT, CONNECTING ROD	.2
8	Z002170-0	6	PISTON ASSY.	.2
10	Z002060-2	1	PISTON RING KIT (1 PER PISTON)	.3



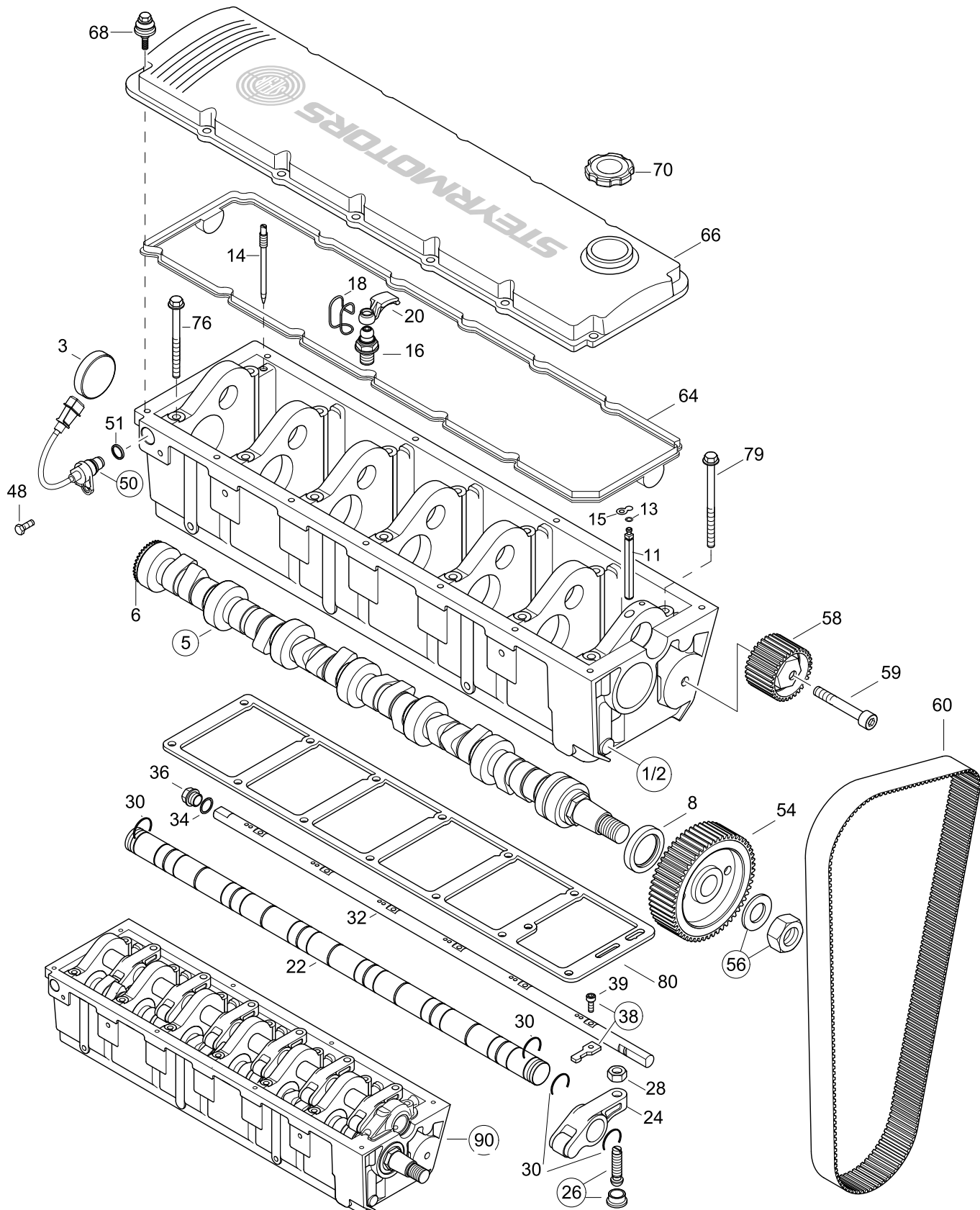


TA 0105

306 MARINE
H43WJ HIGH POWER
+ SOLAS

CAMSHAFT HOUSING, TILL -->682300699

01056184-4





CAMSHAFT HOUSING, TILL -->682300699

306 MARINE
H43WJ HIGH POWER
+ SOLAS

01056184-4

Pos.	Part.-No.	Qty	Designation	Step
1	Z002602-4	1	CAMSHAFT HOUSING ASSY. 6 CYL.	.2
2	2178083-0	1	CORE HOLE PLUG 50-7	..3
5	2178084-2	1	CAMSHAFT ASSY.	.2
6	2203280-1	1	SENSOR DISK	..3
8	2172086-1	1	ROTARY SHAFT SEAL	.2
10	2178486-1	1	AXLE SUPPORT	.2
11	2178486-2	1	AXLE SUPPORT	.2
13	2179278-0	1	O-RING 4,3x2,4	.2
14	2177513-2	1	GUIDE PIN CONTROL RACK	.2
15	2179251-0	1	LOCKING DEVICE, AXLE SUPPORT	.2
16	2174546-2	12	VALVE TAPPET ADJ. SCREW ASSY.	.2
18	2174552-0	12	RETAINING SPRING	.2
20	2177139-1	12	CAM FOLLOWER ASSY.	.2
22	2174434-1	1	ROCKER ARM SHAFT ASSY .	.2
24	Z002094-0	6	ROCKER ARM ASSY. (SPARE PART)	.2
26	Z002010-0	6	TAPPET ADJUSTER ASSY.	.2
28	3871310-0	6	HEX.NUT DIN 934-M10x1-8	.2
30	2174036-0	14	CRESCENT RING 28x1,5	.2
32	2205115-0	1	CONTROL RACK	.2
34	3098031-0	1	SEALING RING DIN 7603-A26x31-CU	.2
36	3962043-0	1	HEX.HD.SCR.PLUG DIN 7604-C-M26x1.5-ST-A3C	.2
38	Z002009-0	6	CONTROL LINK & BOLT	.2
39	3860140-0	1	HEX.SOCK. HD.CAP SCR. DIN 912-M5x20-LH-10.9	..3
48	3800238-0	1	HEX.HD.SCR. ISO 4017-M6x12-A2-70	.2
50	2176734-2	1	REVOLUTION SENSOR	.2
51	2176729-0	1	O-RING 17,17 x 1,78	..3
54	2177642-0	1	TIMING BELT PULLEY CAMSHAFT	.2
56	Z002011-0	1	NUT & WASHER, CAMSHAFT PULLEY	.2
58	2178548-5	1	IDLER PULLEY ASSY.	.2
59	3860155-0	1	HEX.SOCK. HD.CAP SCR. DIN 912-M10x70-10.9-DAC A500	.2
60	2179985-0	1	TIMING BELT	.2



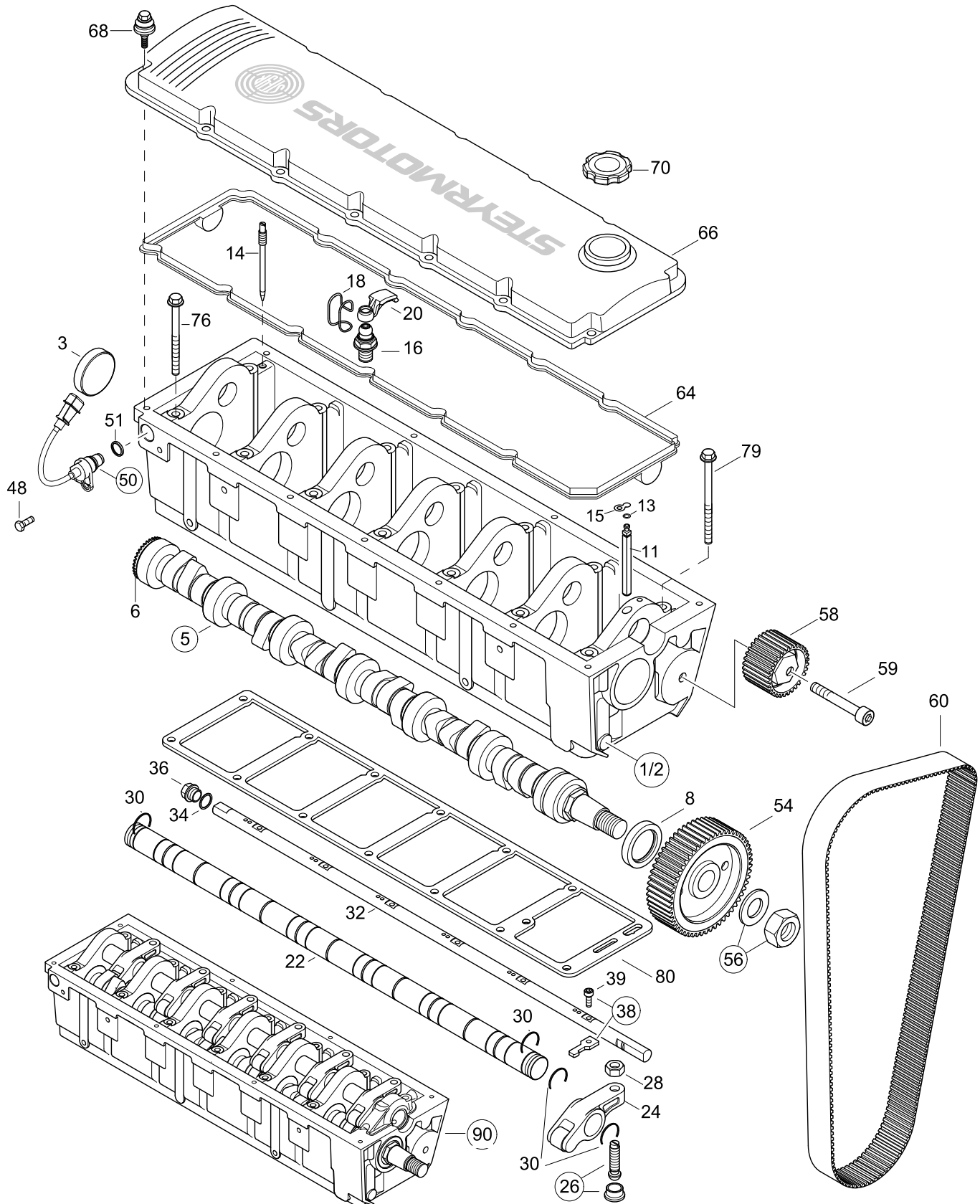


TA 0105

306 MARINE
H43WJ HIGH POWER
+ **SOLAS**

CAMSHAFT HOUSING, TILL -->682300699

01056184-4





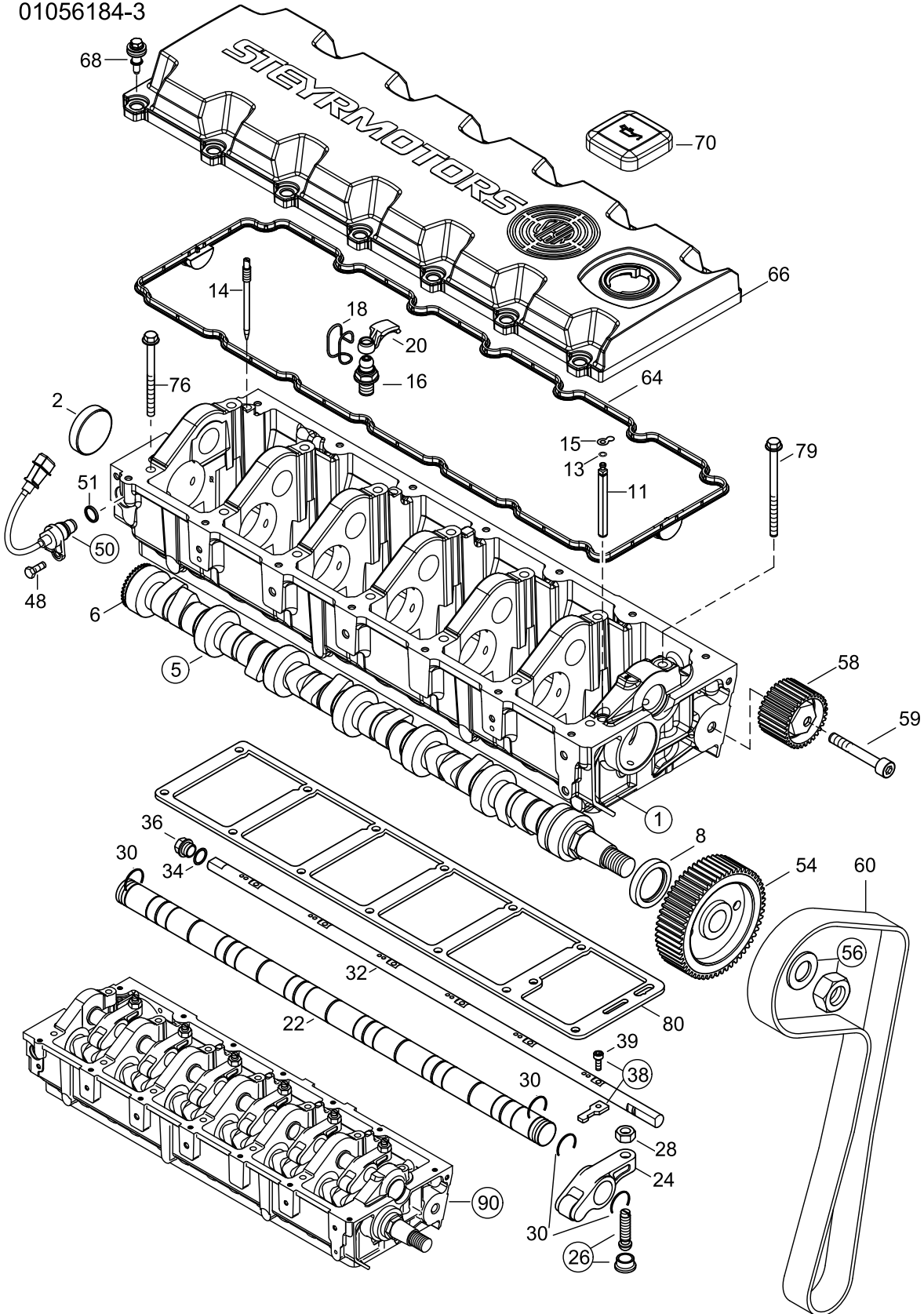
TA 0105



306 MARINE
H43WJ HIGH POWER
+ **SOLAS**

CAMSHAFT HOUSING, FROM 682300700-->

01056184-3





CAMSHAFT HOUSING, FROM 682300700-->

306 MARINE
H43WJ HIGH POWER
+ SOLAS

01056184-3

Pos.	Part.-No.	Qty	Designation	Step
1	Z002602-6	1	CAMSHAFT HOUSING ASSY. (FROM 682300700 AND HIGHER)	.2
2	2178083-0	1	CORE HOLE PLUG 50-7	..3
5	2178084-2	1	CAMSHAFT ASSY.	.2
6	2203280-1	1	SENSOR DISK	..3
8	2172086-1	1	ROTARY SHAFT SEAL	.2
11	2178486-2	1	AXLE SUPPORT	.2
13	2179278-0	1	O-RING 4,3x2,4	.2
14	2177513-2	1	GUIDE PIN CONTROL RACK	.2
15	2179251-0	1	LOCKING DEVICE, AXLE SUPPORT	.2
16	2174546-2	12	VALVE TAPPET ADJ. SCREW ASSY.	.2
18	2174552-0	12	RETAINING SPRING	.2
20	2177139-1	12	CAM FOLLOWER ASSY.	.2
22	2174434-1	1	ROCKER ARM SHAFT ASSY .	.2
24	Z002094-0	6	ROCKER ARM ASSY. (SPARE PART)	.2
26	Z002010-0	6	TAPPET ADJUSTER ASSY.	.2
28	3871310-0	6	HEX.NUT DIN 934-M10x1-8	.2
30	2174036-0	14	CRESCENT RING 28x1,5	.2
32	2205115-0	1	CONTROL RACK	.2
34	3098031-0	1	SEALING RING DIN 7603-A26x31-CU	.2
36	3962043-0	1	HEX.HD.SCR.PLUG DIN 7604-C-M26x1.5-ST-A3C	.2
38	Z002009-0	6	CONTROL LINK & BOLT	.2
39	3860140-0	1	HEX.SOCK.HD.CAP SCR. DIN 912-M5x20-LH-10.9	..3
48	3800238-0	1	HEX.HD.SCR. ISO 4017-M6x12-A2-70	.2
50	2176734-2	1	REVOLUTION SENSOR	.2
51	2176729-0	1	O-RING 17,17 x 1,78	..3
54	2177642-0	1	TIMING BELT PULLEY CAMSHAFT	.2
56	Z002011-0	1	NUT & WASHER, CAMSHAFT PULLEY	.2
58	2178548-5	1	IDLER PULLEY ASSY.	.2
59	3860155-0	1	HEX.SOCK.HD.CAP SCR. DIN 912-M10x70-10.9-DAC A500	.2
60	2179985-0	1	TIMING BELT	.2
64	2179921-0	1	SEALING, CAMSHAFT HSG-COVER	.2





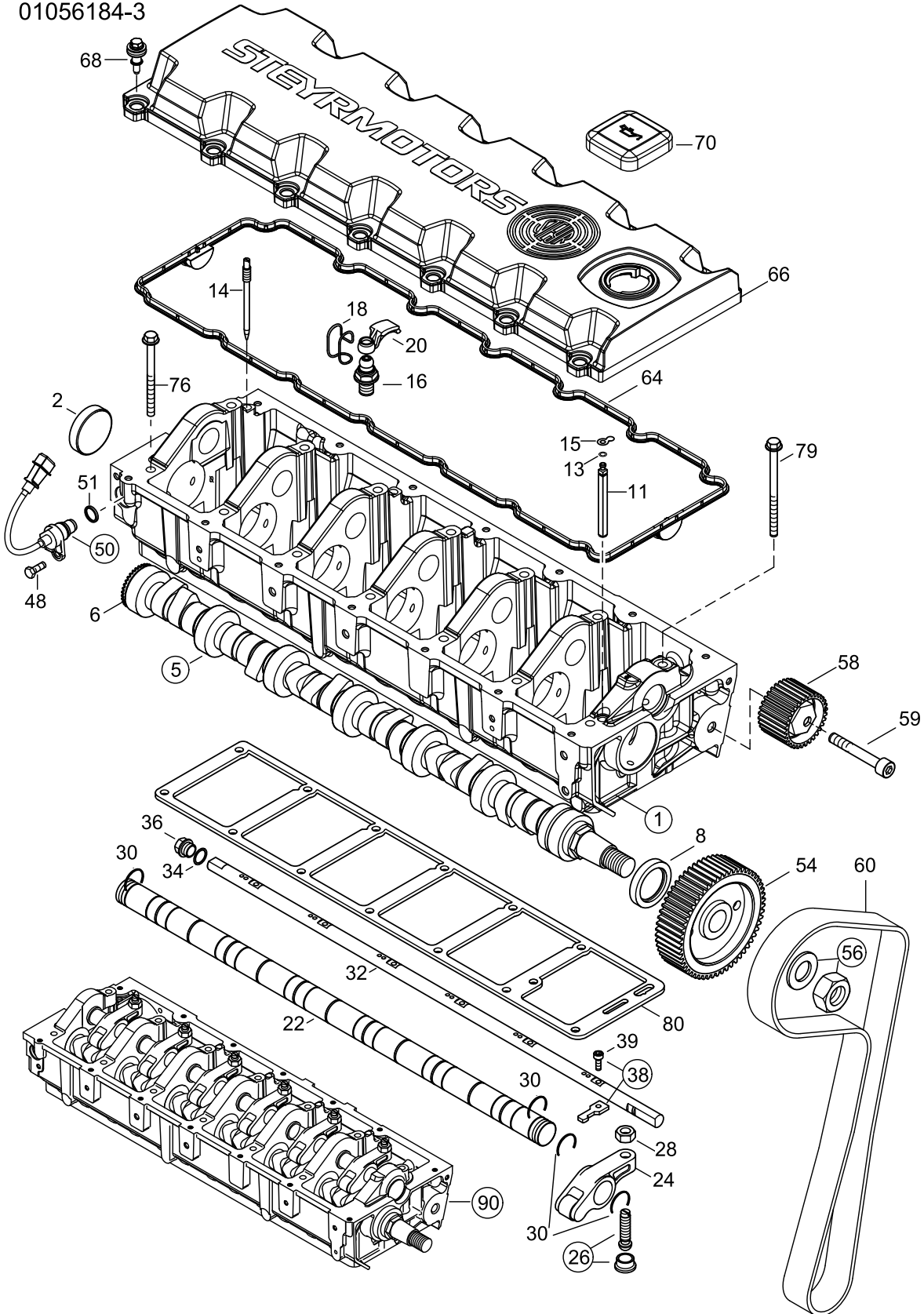
TA 0105



306 MARINE
H43WJ HIGH POWER
+ SOLAS

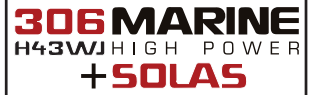
CAMSHAFT HOUSING, FROM 682300700-->

01056184-3





CAMSHAFT HOUSING, FROM 682300700-->



01056184-3

Pos.	Part.-No.	Qty	Designation	Step
66	2179920-0	1	CAMSHAFT HOUSING COVER	.2
68	2040575-0	14	SCREW, COVER ACOUSTIC DECOUPLED	.2
70	2179942-0	1	FILLER CAP ENGINE OIL	.2
76	9000248-1	7	HEX.FLANGE BOLT EN 1665-M8x110-10.9-A2C	.2
79	9000785-0	7	HEX.FLANGE BOLT EN 1665-M8x135-12.9-A2C	.2
80	2205427-2	1	GASKET, CYL.BLOCK-CAMSHAFTHSG.	.2
90	Z002603-4	1	VALVE DRIVE ASSY. - POS.1-39 (FROM 682300700 AND HIGHER)	.2



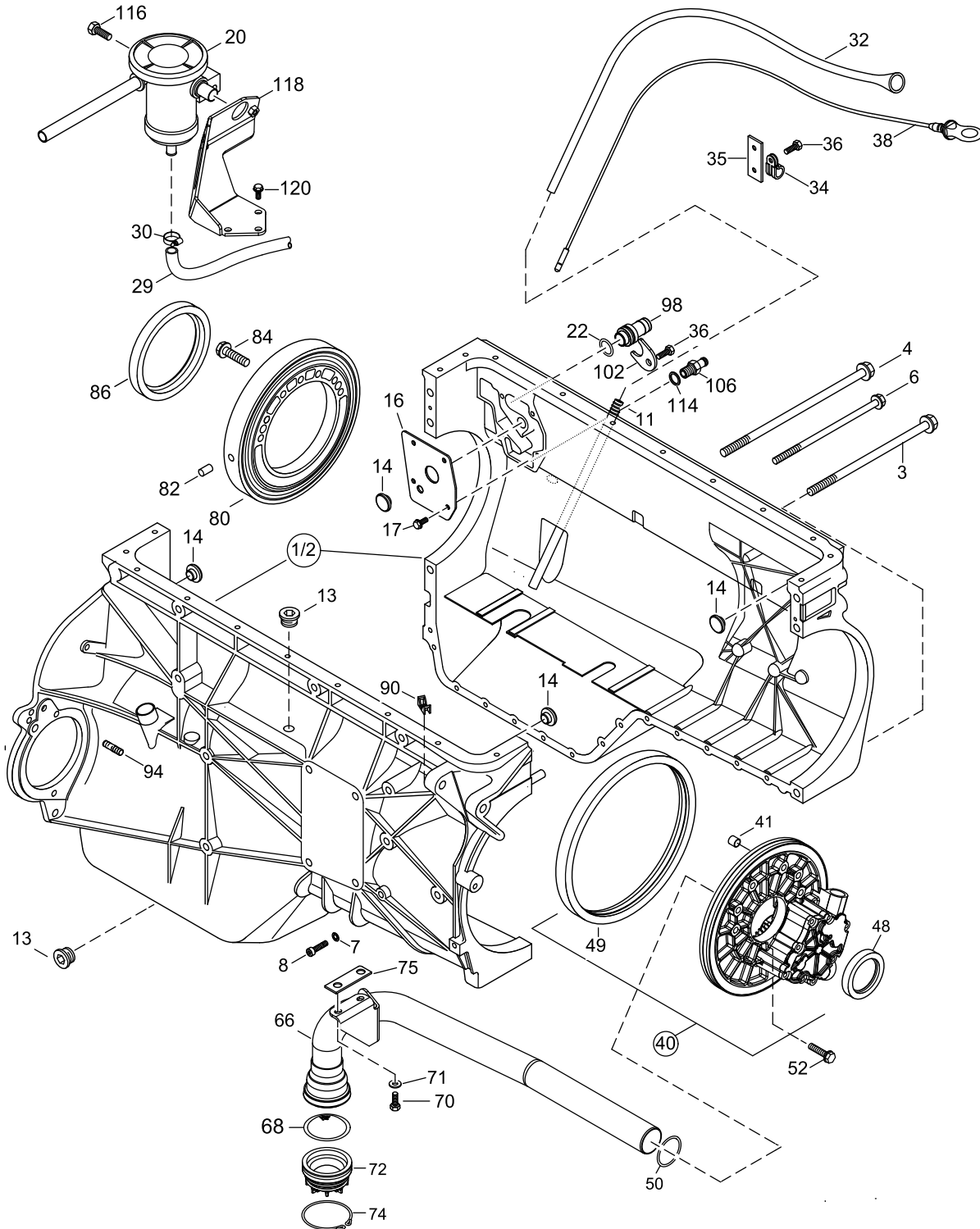


TA 0106

306 MARINE
H43WJ HIGH POWER
+ SOLAS

OILPUMP, OILPIPE, OILPAN, OIL DIPSTICK

01066184-4





OILPUMP, OILPIPE, OILPAN, OIL DIPSTICK

306 MARINE
H43WJ HIGH POWER
+ SOLAS

01066184-4

Pos.	Part.-No.	Qty	Designation	Step
1	Z002689-0	1	ENGINE HOUSING ASSY. (INCL. PIPE OIL-DIPSTICK)	.2
3	9000464-0	2	HEX.FLANGE BOLT EN 1665-M10x200-8.8-A3C	..3
4	9000463-0	2	HEX.FLANGE BOLT EN 1665-M10x250-8.8-A3C	..3
6	9000465-0	3	HEX.FLANGE BOLT EN 1665-M8x180-8.8-A2C	..3
7	3932008-0	13	SPRING WASHER DIN 137-B6-FST-A3C	..3
8	3862327-0	13	HEX.SOCK.HD.CAP SCR. DIN 912-M6x25-8.8-A2C	..3
11	2178346-1	1	OILSUCTION-PIPE ASSY.	..3
13	9000590-0	2	HEX.SOCK.SCR.PLUG WITH RUBBER SEAL M22x1,5	..3
14	2174072-0	4	RUBBER PAD	..3
16	2179260-1	1	COVER PRE OIL SEPARATOR 6 CYL.	..3
17	9000287-0	4	HEX.FLANGE BOLT EN 1665-M6x12-8.8-A3C	..3
20	Z002051-1	1	OIL SEPARATOR WITH PIPE	.2
22	2178310-1	1	O-RING 17x3,53	.2
29	2178287-2	1	HOSE, OIL DRAIN L=560	.2
30	2174405-0	4	HOSE CLAMP 10-16/7,5 EN 10088-1	.2
32	2179824-0	1	TUBE OIL-DIPSTICK	.2
34	2178566-0	1	PIPE CLAMP RSGU1.15/15-W5	.2
35	2177743-9	1	FISHPLATE OIL INTAKE PIPE PAINTED	.2
36	3800233-0	2	HEX.HD.SCR. ISO 4017-M6x16-A2-70	.2
38	2203751-1	1	OIL DIP STICK ASSY.	.2
40	Z002690-0	1	OIL PUMP ASSY.	.2
41	2170298-0	2	FITTING SLEEVE	..3
48	2170276-1	1	ROTARY SHAFT SEAL	..3
49	2174067-0	1	SEALING RING	..3
50	2179991-0	1	O-RING 33x3,5	..3
52	9000278-0	6	HEX.FLANGE BOLT EN 1665-M8x35-8.8-A2C	.2
66	Z026069-0	1	OILSUCTION PIPE ASSY.	.2
68	2200449-0	1	OIL STRAINER	.2
70	3802329-0	2	HEX.HD.SCR. ISO 4017-M6x18-8.8-A2C	.2
71	3930251-0	2	WASHER DIN 125-A6.4-140HV-A3C	.2
72	2200450-0	1	SUCTION CAGE	.2



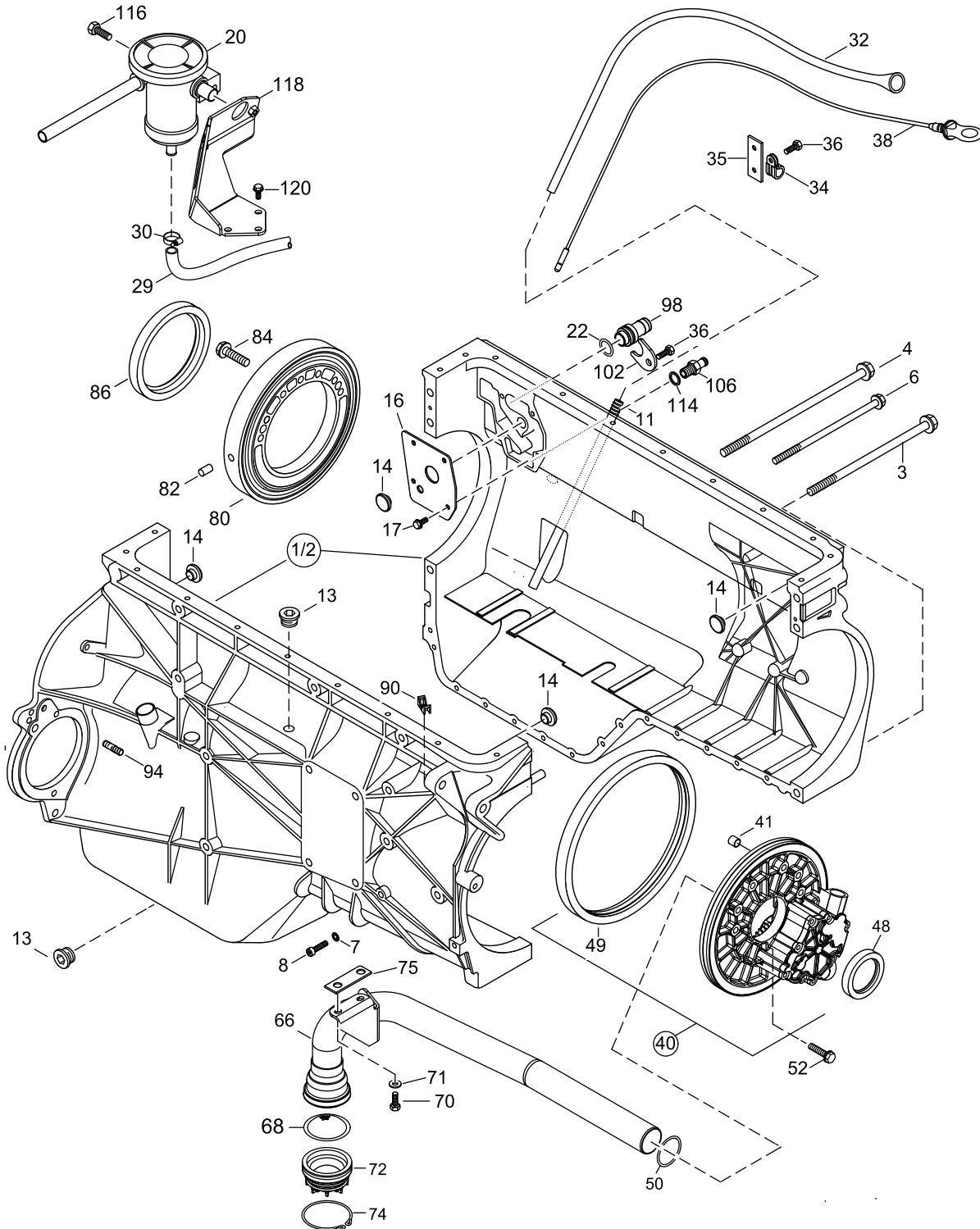


TA 0106

306 MARINE
H43WJ HIGH POWER
+ SOLAS

OILPUMP, OILPIPE, OILPAN, OIL DIPSTICK

01066184-4



OILPUMP, OILPIPE, OILPAN, OIL DIPSTICK	306 MARINE <small>H43WJ HIGH POWER</small> + SOLAS
---	--

01066184-4

Pos.	Part.-No.	Qty	Designation	Step
74	9000628-0	1	SNAP RING DIN 7993-A60	.2
75	2203513-2	1	PLATE, OIL SUCTION PIPE	.2
80	2174992-1	1	SUPPORT RING REAR	.2
82	3901409-0	1	PARALLEL PIN ISO 2338-8m6x14-ST	.2
84	9000278-0	7	HEX.FLANGE BOLT EN 1665-M8x35-8.8-A2C	.2
86	2172289-1	1	ROTARY SHAFT SEAL	.2
90	2178870-2	1	FIXTURE, CABLE TIE	.2
94	9000478-0	1	STUDDIN 835-M10x25-A2-70	.2
98	2179544-0	1	FITTING DM16	.2
102	2179543-0	1	CLAMPING PLATE	.2
106	2179908-0	1	SCREW-IN SOCKET, PRE OIL SEPARATOR	.2
114	3098013-0	1	SEALING RING DIN 7603-A12x18-CU	.2
116	9000063-0	1	HEX.SOCK.HD.CAP SCR.DIN 912-M8x20-A2-70	.2
118	2180475-0	1	BRACKET, OIL SEPARATOR	.2
120	3800233-0	3	HEX.HD.SCR. ISO 4017-M6x16-A2-70	.2





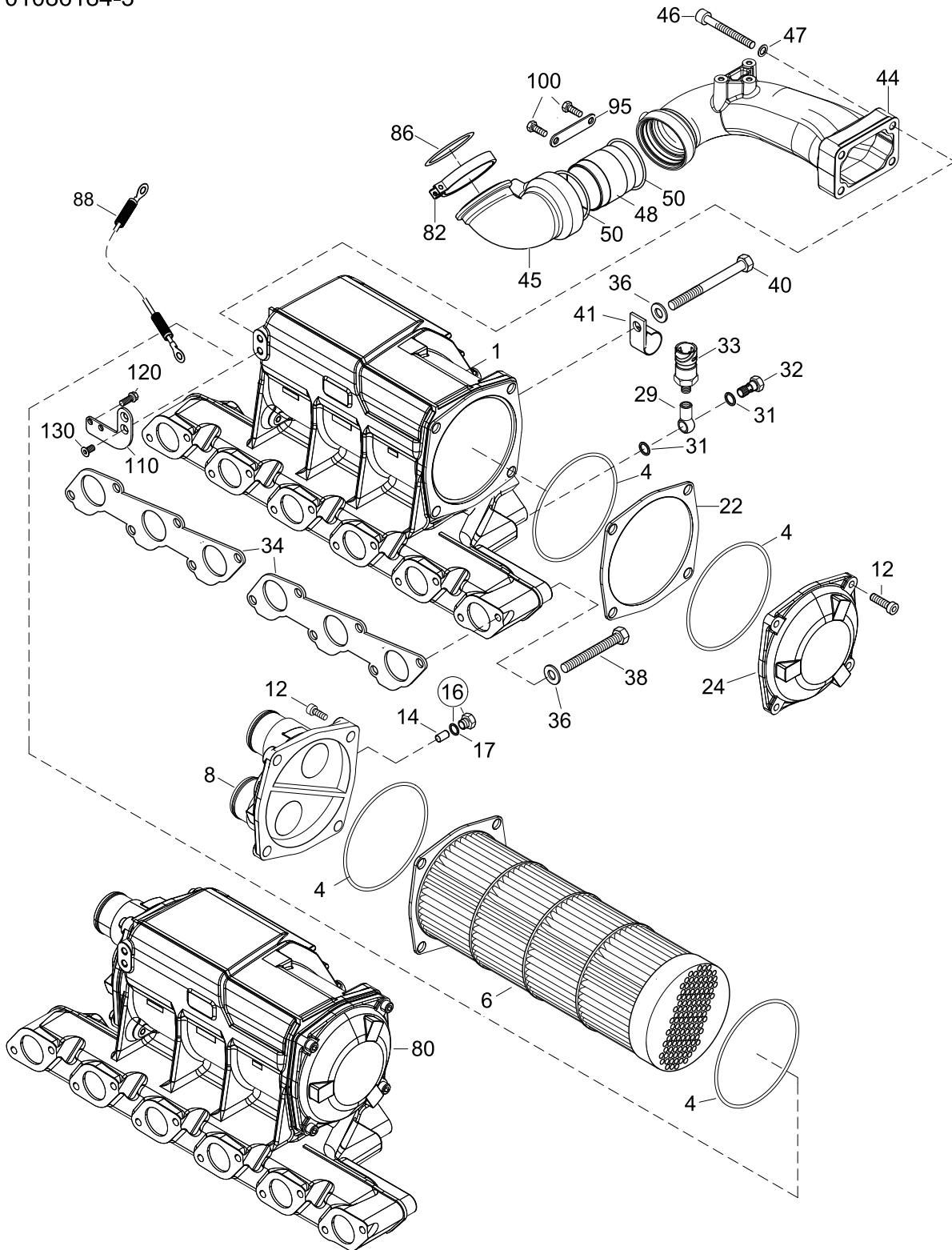
TA 0108



306 MARINE
H43WJ HIGH POWER
+ **SOLAS**

INTERCOOLER

01086184-3





INTERCOOLER	306 MARINE H43WJ HIGH POWER + SOLAS
--------------------	--

01086184-3

Pos.	Part.-No.	Qty	Designation	Step
1	Z002692-0	1	INTERCOOLER HOUSING, (PAINTED)	.2
4	2180010-0	4	O-RING 135x4	.2
6	2180009-0	1	INTERCOOLER	.2
8	Z002693-0	1	COVER INTERCOOLER REAR, PAINTED	.2
12	9000064-0	8	HEX.SOCK. HD.CAP SCR. DIN 912-M8x35-8.8-A3C	.2
14	2178413-1	1	ZINC ANODE	.2
16	Z002017-0	1	PLUG & SEAL FOR ZINC-ANODE	.2
17	3098020-0	1	SEALING RING DIN 7603-A18x22-CU	.3
22	2180012-0	1	SPACER, INTERCOOLER	.2
24	Z002694-0	1	COVER INTERCOOLER FRONT, PAINTED	.2
29	2179620-0	1	BRACKET BOOST PRESSURE SENSOR	.2
31	3098011-0	2	SEALING RING DIN 7603-A10x16-CU	.2
32	9000010-1	1	HOLLOW SCREW M10x1 DIN 7643-6-3-S	.2
33	2206305-0	1	PRESSURE SENSOR 1-8 27 NPT	.2
34	2177585-2	2	GASKET INTAKE MANIFOLD	.2
36	3930103-0	12	WASHER DIN 125-8.4-140HV-A2	.2
38	3800471-0	6	HEX.HD.BOLT ISO 4014-M8x90-8.8-A2C	.2
40	9000732-0	6	HEX.HD.BOLT ISO 4014-M8x210-8.8	.2
44	Z002695-0	1	PRESSURE PIPE PART 1 (PAINTED)	.2
45	2179204-9	1	PRESSURE PIPE PART 2 (PAINTED)	.2
46	3862433-0	4	HEX.SOCK. HD.CAP SCR. DIN 912-M8x30-A2-70	.2
47	3930103-0	4	WASHER DIN 125-8.4-140HV-A2	.2
48	2179207-0	1	TUBE, ELBOW AIR INTAKE	.2
50	2179206-0	2	O-RING 55x5	.2
80	Z002691-0	1	INTERCOOLER ASSY. (PAINTED)	.2
82	2179208-0	1	CLAMP	.2
86	2179205-0	1	O-RING 60x2	.2
88	2206210-1	1	GROUND WIRE ASSY.	.2
95	2179252-0	1	CONNECTING STRAP	.2
100	3800238-0	2	HEX.HD.SCR. ISO 4017-M6x12-A2-70	.2
110	2179867-0	1	BRACKET INTERCOOLER	.2





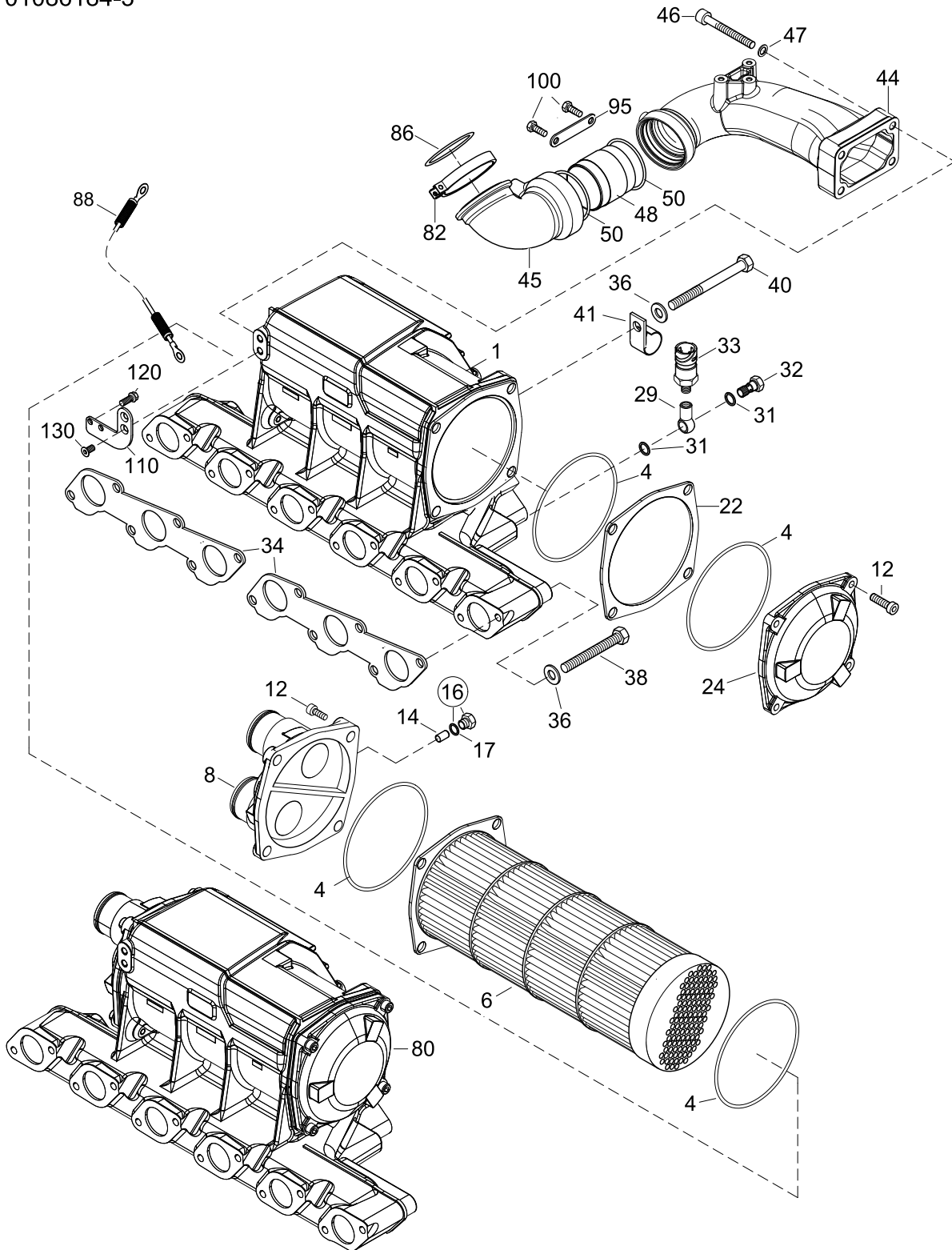
TA 0108



306 MARINE
H43WJ HIGH POWER
+ **SOLAS**

INTERCOOLER

01086184-3



INTERCOOLER	306 MARINE H43WJ HIGH POWER + SOLAS
--------------------	--

01086184-3

Pos.	Part.-No.	Qty	Designation	Step
120	9000305-0	2	HEX.FLANGE BOLT EN 1665-M8x20-10.9-DAC	.2
130	9000456-0	2	HEX.SOCK.COUNTERSUNK SCR. DIN 7991-M8x20-10.9-A2C	.2



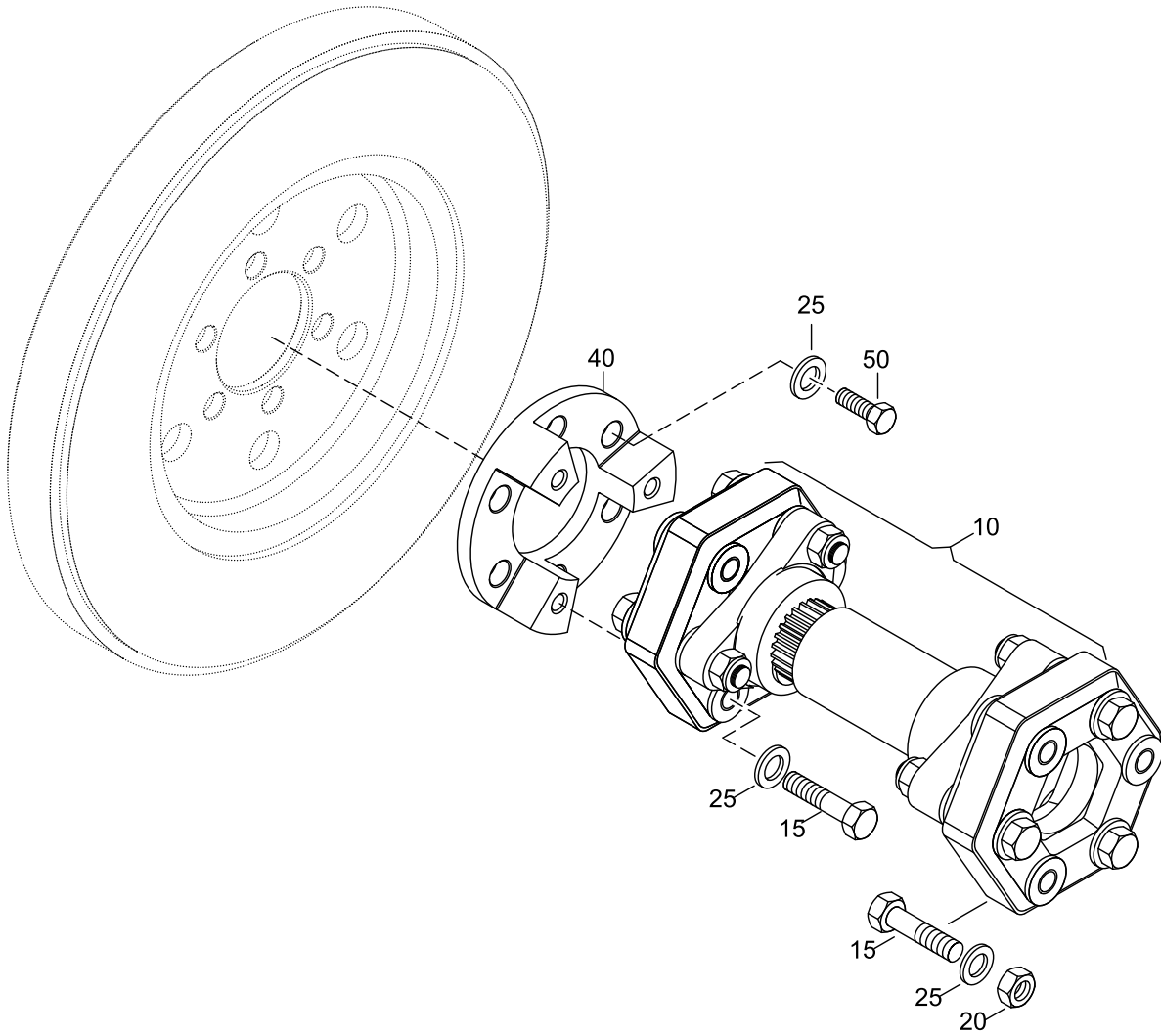


TA 0109

306 MARINE
H43WJ HIGH POWER
+ **SOLAS**

POWER TAKE OFF FRONT

01096184-0



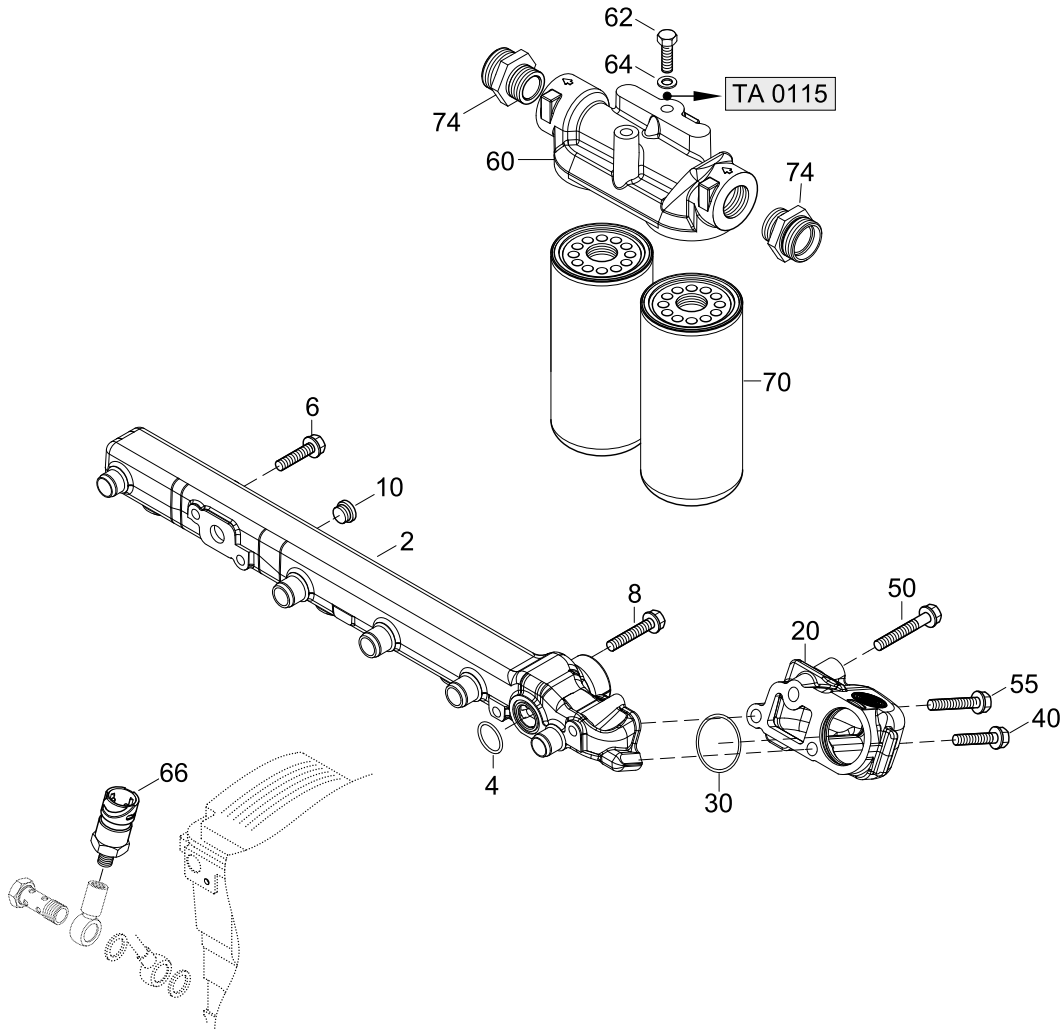


TA 0113

306 MARINE
H43WJ HIGH POWER
+ SOLAS

COOLANT DISTRIBUTION PIPE, OILFILTER

01136184-2





COOLANT DISTRIBUTION PIPE, OILFILTER



01136184-2

Pos.	Part.-No.	Qty	Designation	Step
2	Z002696-0	1	PIPE ENGINE-COOLANT DISTRIBUTION ASSY. 6 CYL. (PAINTED)	.2
4	2040153-0	1	O-RING 25.12x1.78	.2
6	9000304-0	2	HEX.FLANGE BOLT EN 1665-M8x60-8.8-A2C	.2
8	9000446-0	1	HEX.FLANGE BOLT EN 1665-M8x70-8.8-A2C	.2
10	9000586-0	1	HEX.SOCK.SCR.PLUG WITH RUBBER SEAL M12x1,5	.2
20	Z002697-0	1	CONNECTOR, WATERPUMP - PIPE COOLANT DISTR. (PAINTED)	.2
30	2179678-0	1	O-RING 44,45x3,53	.2
40	9000304-0	1	HEX.FLANGE BOLT EN 1665-M8x60-8.8-A2C	.2
50	9000248-1	1	HEX.FLANGE BOLT EN 1665-M8x110-10.9-A2C	.2
55	9000638-0	1	HEX.FLANGE BOLT EN 1665-M8x80-8.8-A2C	.2
60	Z002698-0	1	BRACKET OIL-FILTER ASSY. (PAINTED)	.2
62	3802527-0	2	HEX.HD.SCR. ISO 4017-M10x30-A4	.2
64	3930271-0	2	WASHER DIN 125 10-140HV-A3C	.2
66	2206305-0	1	PRESSURE SENSOR 1/8-27 NPT	.2
70	2179852-0	2	OIL FILTER CARTRIDGE	.2
74	9000608-0	2	PIPE UNION ADAPTOR ISO 1179	.2



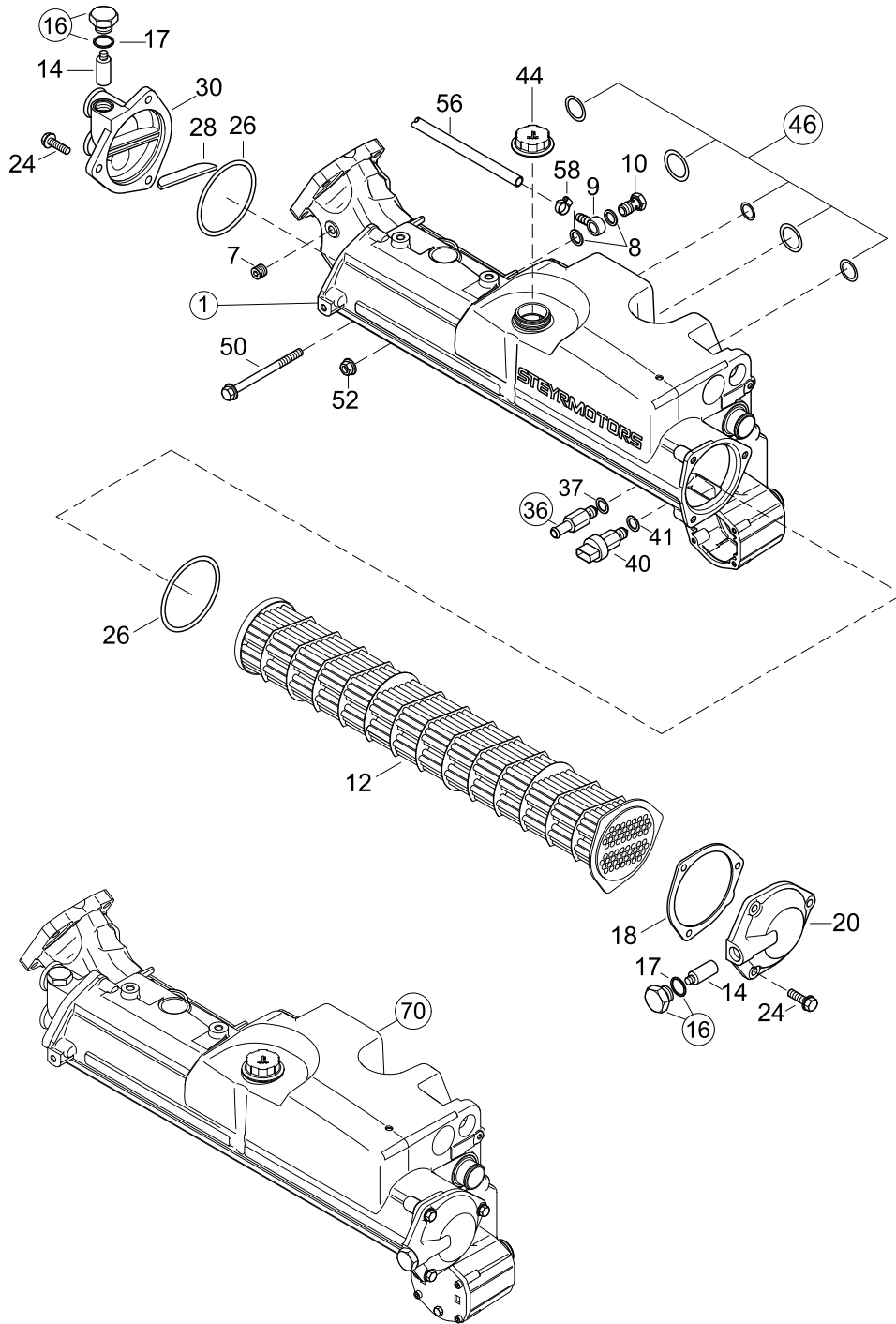


TA 0114

306 MARINE
H43WJ HIGH POWER
+ SOLAS

EXHAUST, HEAT EXCHANGER, GASKETS

01146184-2





EXHAUST, HEAT EXCHANGER, GASKETS

306 MARINE
H43WJ HIGH POWER
+ SOLAS

01146184-2

Pos.	Part.-No.	Qty	Designation	Step
1	Z002019-3	1	EXHAUST & HEATEXCHANGER HSG, PAINTED (O-RING, SCREW CAP)	.2
7	2170217-0	1	SCREW PLUG M10x1	..3
8	3098011-0	2	SEALING RING DIN 7603-A10x16-CU	..3
9	2174384-1	1	BANJO DN6 DIN 7642	..3
10	9000010-1	1	HOLLOW SCREW M10x1 DIN 7643-6-3-S	..3
12	2177613-0	1	HEAT EXCHANGER	.2
14	2178413-1	2	ZINC ANODE	.2
16	Z002017-0	2	PLUG & SEAL FOR ZINC-ANODE	.2
17	3098020-0	1	SEALING RING DIN 7603-A18x22-CU	..3
18	2174155-1	1	GASKET, HEAT EXCHANGER COVER	.2
20	2173510-9	1	COVER HEAT EXCHANGER, FRONT PAINTED	.2
24	9000431-0	6	HEX.FLANGE BOLT EN 1665-M8x30-10.9-DAC	.2
26	2173636-0	2	O-RING 90x3	.2
28	2174073-0	1	SEAL FOR HEAT EXCHANGER COVER	.2
30	2177450-9	1	COVER HEAT EXCHANGER REAR, PAINTED	.2
36	Z002000-0	1	DRAIN, COOLANT WITH SEALING RING	.2
37	3098013-0	1	SEALING RING DIN 7603-A12x18-CU	..3
40	2174623-3	1	COOLANT TEMPERATURE SENSOR	.2
41	3098013-0	1	SEALING RING DIN 7603-A12x18-CU	.2
44	2179811-0	1	SEALING CAP COOLER - PVC	.2
46	Z002652-0	1	SEAL KIT, EXH.MANIF - BLOCK 6 CYL.MARINE (O-RINGS)	.2
50	9000248-1	12	HEX.FLANGE BOLT EN 1665-M8x110-10.9-A2C	.2
52	3880049-0	3	HEX.FLANGE NUT DIN 6923-M6-A2-70	.2
56	2178552-0	1	HOSE VENTING	.2
58	2178893-0	2	HOSE CLAMP 8-12/7,5	.2
70	Z002020-4	1	EXHAUST & HEATEXCHANGER ASSY, PAINTED (O-RING, SCREW CAP)	.2



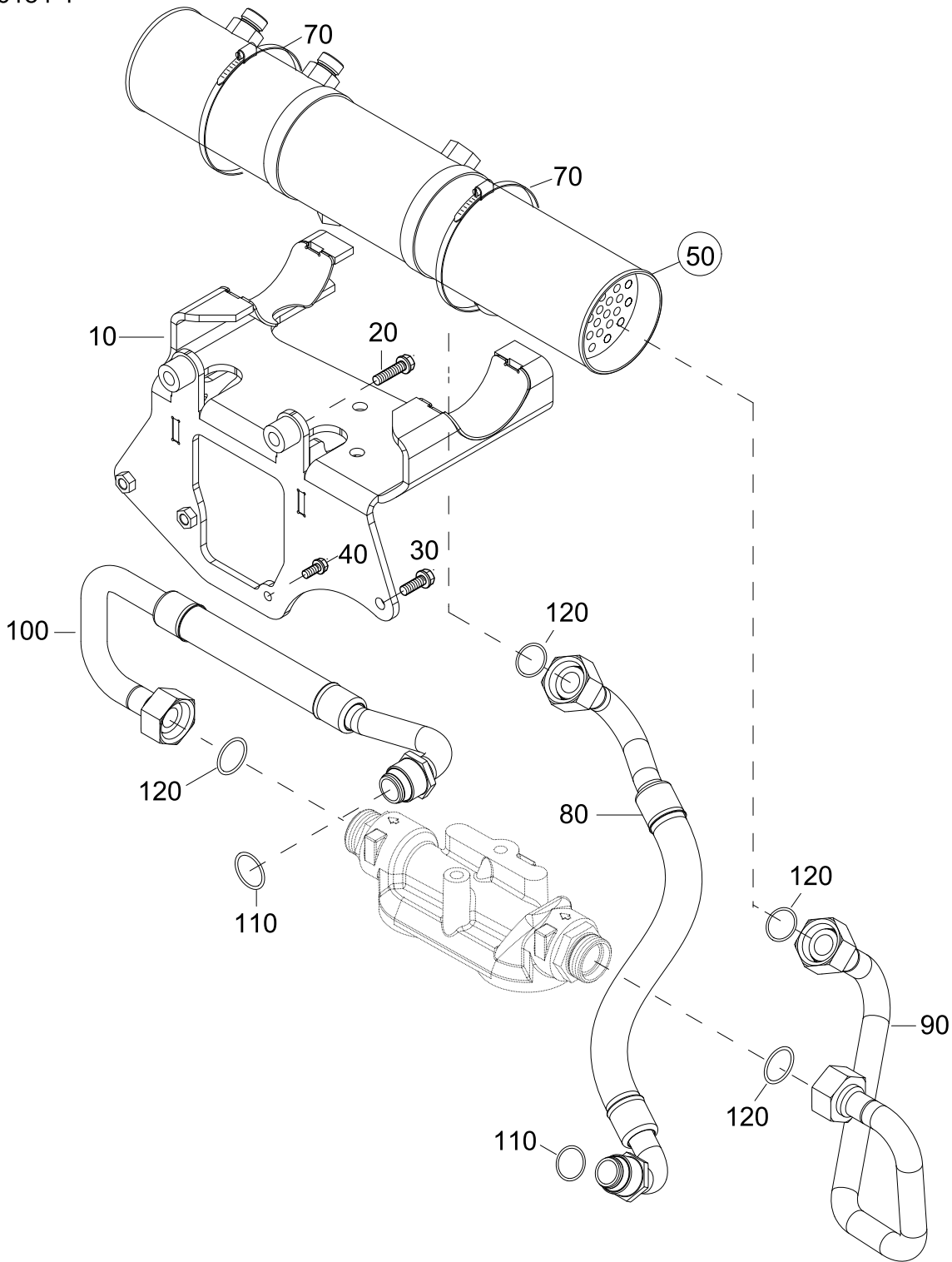


TA 0115

306 MARINE
H43WJ HIGH POWER
+ **SOLAS**

OILCOOLER RAW WATER

01156184-1





OILCOOLER RAW WATER



01156184-1

Pos.	Part.-No.	Qty	Designation	Step
10	Z002699-1	1	FILTER BRACKET	.2
20	3802442-0	2	HEX.HD.SCR. ISO 4017-M8x40-8.8-A2C	.2
25	3930103-0	2	WASHER DIN 125-8.4-140HV-A2	.2
30	9000305-0	1	HEX.FLANGE BOLT EN 1665-M8x20-10.9-DAC	.2
40	9000273-0	1	HEX.FLANGE BOLT EN 1665-M6x16-8.8-A2C	.2
50	Z026015-0	1	TRIPLE COOLER (PAINTED)	.2
70	2174417-0	2	HOSE CLAMP 70-90	.2
80	Z026001-0	1	OIL PIPE ASSY. PUMP - COOLER INCL. O-RINGS (PAINTED)	.2
90	Z026002-1	1	OIL PIPE ASSY. FILTER - COOLER INCL. O-RINGS (PAINTED)	.2
100	Z026003-0	1	OIL PIPE ASSY. FILTER - BLOCK INCL. O-RINGS (PAINTED)	.2
110	2179677-0	2	O-RING 22x2	.2
120	9000623-0	4	O-RING 26x2	.2



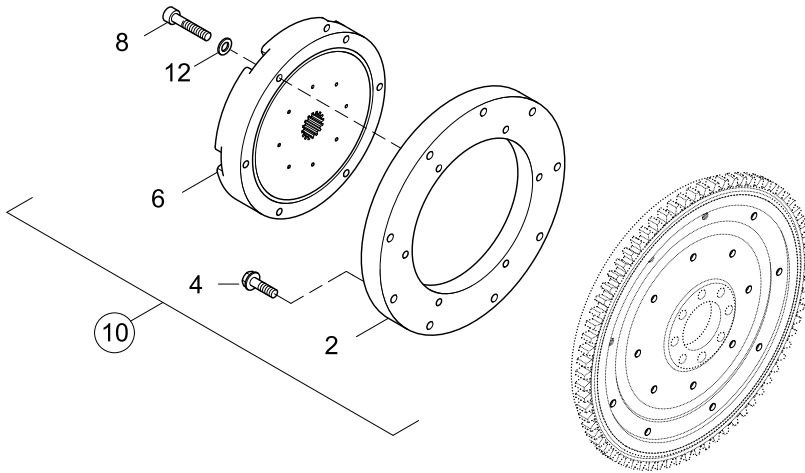


TA 0200

306 MARINE
H43WJ HIGH POWER
+ **SOLAS**

TORSIONAL COUPLING

02006184-2



TORSIONAL COUPLING	306 MARINE <small>H43WJ HIGH POWER</small> + SOLAS
---------------------------	--

02006184-2

Pos.	Part.-No.	Qty	Designation	Step
2	2179163-0	1	ADAPTER-RING FLY-WHEEL	.2
4	9000431-0	9	HEX.FLANGE BOLT EN 1665-M8x30-10.9-DAC	.2
6	2179164-0	1	COUPLER 20/40-26T	.2
8	9000520-0	6	HEX.SOCK. HD.CAP SCR. ISO 4762-M8x50-10.9-DAC	.2
10	Z002066-V	1	COUPLING KIT 20/40-26T F.GEAR & SCREWS	.2
12	3930103-0	6	WASHER DIN 125-8.4-140HV-A2	.2



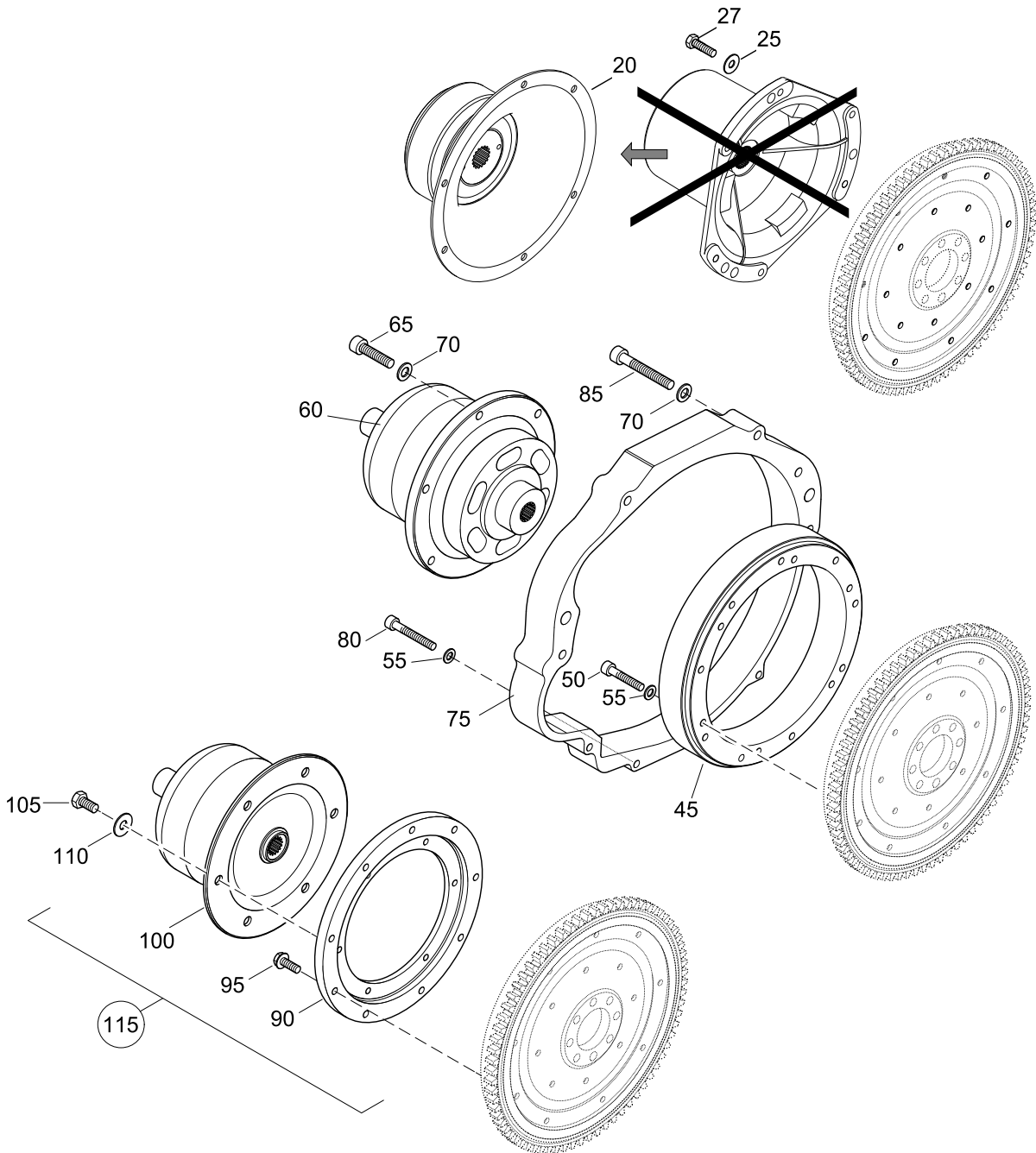


TA 0210

306 MARINE
H43WJ HIGH POWER
+ **SOLAS**

COUPLER

02106184-0



**COUPLER****306 MARINE**
H43WJ HIGH POWER
+SOLAS

02106184-0

Pos.	Part.-No.	Qty	Designation	Step
20	Z021002-0	1	S.P. COUPLER	.2
25	3936103-0	6	WASHER LARGE SERIES ISO 7093-1-8-200HV-A3C	.2
27	3802430-0	6	HEX.HD.SCR. ISO 4017-M8x30-10.9-A2C	.2
45	2179073-0	1	ADAPTER FLY-WHEEL MERCURY DUAL STAGE	.2
50	3862452-0	9	HEX.SOCK. HD.CAP SCR. DIN 912-M8x50-8.8-A2C	.2
55	3930103-0	13	WASHER DIN 125-8.4-140HV-A2	.2
60	2178860-S	1	COUPLER MERCURY-BRAVO DUAL STAGE	.2
65	3860149-0	6	HEX.SOCK. HD.CAP SCR. DIN 912-M10x40-8.8-A3C	.2
70	3930075-0	11	WASHER DIN 125 A10.5-140HV-A2	.2
75	2179072-9	1	INTERMEDIATE FLANGE PAINTED	.2
80	3862478-0	4	HEX.SOCK. HD.CAP SCR. DIN 912-M8x80-8.8-A2C	.2
85	3862680-0	5	HEX.SOCK. HD.CAP SCR. DIN 912-M10x90-8.8-A2C	.2
90	2179078-0	1	ADAP. FLY-WHEEL MERCURY 6 CYL. (COM.)	.2
95	9000431-0	9	HEX.FLANGE BOLT EN 1665-M8x30-10.9-DAC	.2
100	2178860-M	1	COUPLER MERCURY	.2
105	3802515-0	6	HEX.HD.SCR. ISO 4017-M10x20-8.8-A3C	.2
110	3930075-0	6	WASHER DIN 125 A10.5-140HV-A2	.2
115	Z002066-4	1	COUPLING KIT MERCURY-BRAVO STERN-DRIVE (COM.)	.2



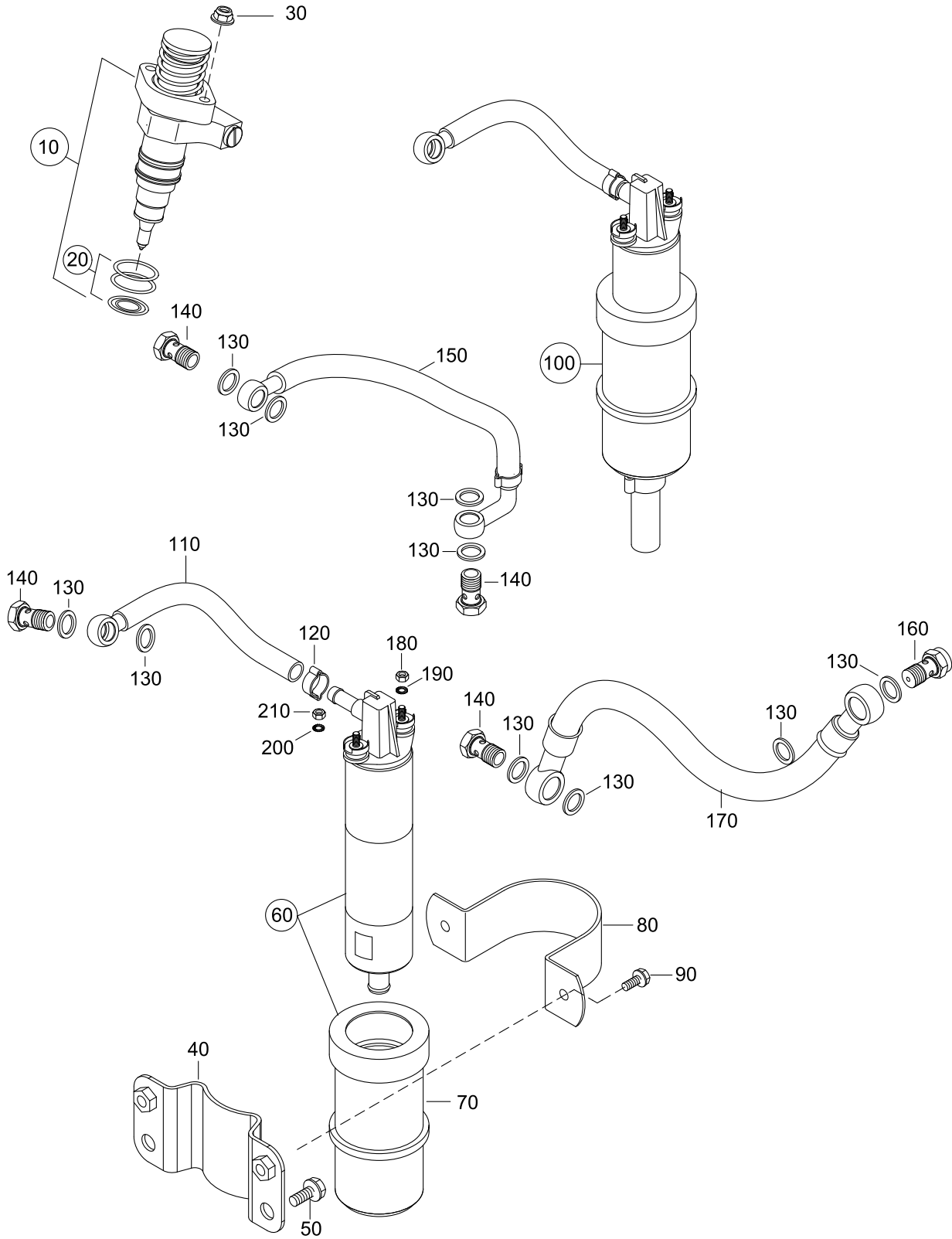


TA 0302

306 MARINE
H43WJ HIGH POWER
+ SOLAS

FUEL PUMP, UNIT INJECTOR, PIPE

03026184-3





FUEL PUMP, UNIT INJECTOR, PIPE	306 MARINE H43WJ HIGH POWER + SOLAS
---------------------------------------	---

03026184-3

Pos.	Part.-No.	Qty	Designation	Step
10	Z002030-A	6	UNIT INJECTOR + SEALINGS	.2
20	Z002031-0	1	SEAL KIT, UNIT INJECTOR	..3
30	9000056-1	12	HEX.FLANGE NUT DIN 6923-M8-8-A2C	.2
40	2179860-0	1	RETAINING STRAP FUEL PUMP	.2
50	9000305-0	2	HEX.FLANGE BOLT EN 1665-M8x20-10.9-DAC	.2
60	Z026004-0	1	FUEL PUMP 12V (WITH ISOLATING SLEEVE)	.2
70	2173396-1	1	ISOLATING SLEEVE FUEL PUMP	..3
80	2178690-0	1	RETAINING STRAP	.2
90	9000287-0	2	HEX.FLANGE BOLT EN 1665-M6x12-8.8	.2
100	Z026005-0	1	FUEL PUMP ASSY. & LINES	.2
110	2203765-2	1	FUEL HOSE	.2
120	2178995-0	1	HOSE CLAMP 17,5mm	.2
130	3098015-0	8	SEALING RING DIN 7603-A14x20-CU	.2
140	9000053-0	3	HOLLOW SCREW M14x1,5 DIN 7643-10-DAC A500	.2
150	Z026006-0	1	FUEL HOSE ASSY.	.2
160	2178561-1	1	OVERFLOW VALVE FUEL	.2
170	Z026007-0	1	FUEL HOSE ASSY.	.2
180	3870050-0	1	HEX.NUT DIN 934-M5-A2-70	.2
190	9000040-0	1	TOOTHED LOCK WASHER EXTERN. DIN 6797-A5.3-1.4310	.2
200	9000039-0	1	TOOTHED LOCK WASHER EXTERN. DIN 6797-A4.3-1.4310	.2
210	3870051-0	1	HEX.NUT ISO 4032-M4-A2-70	.2





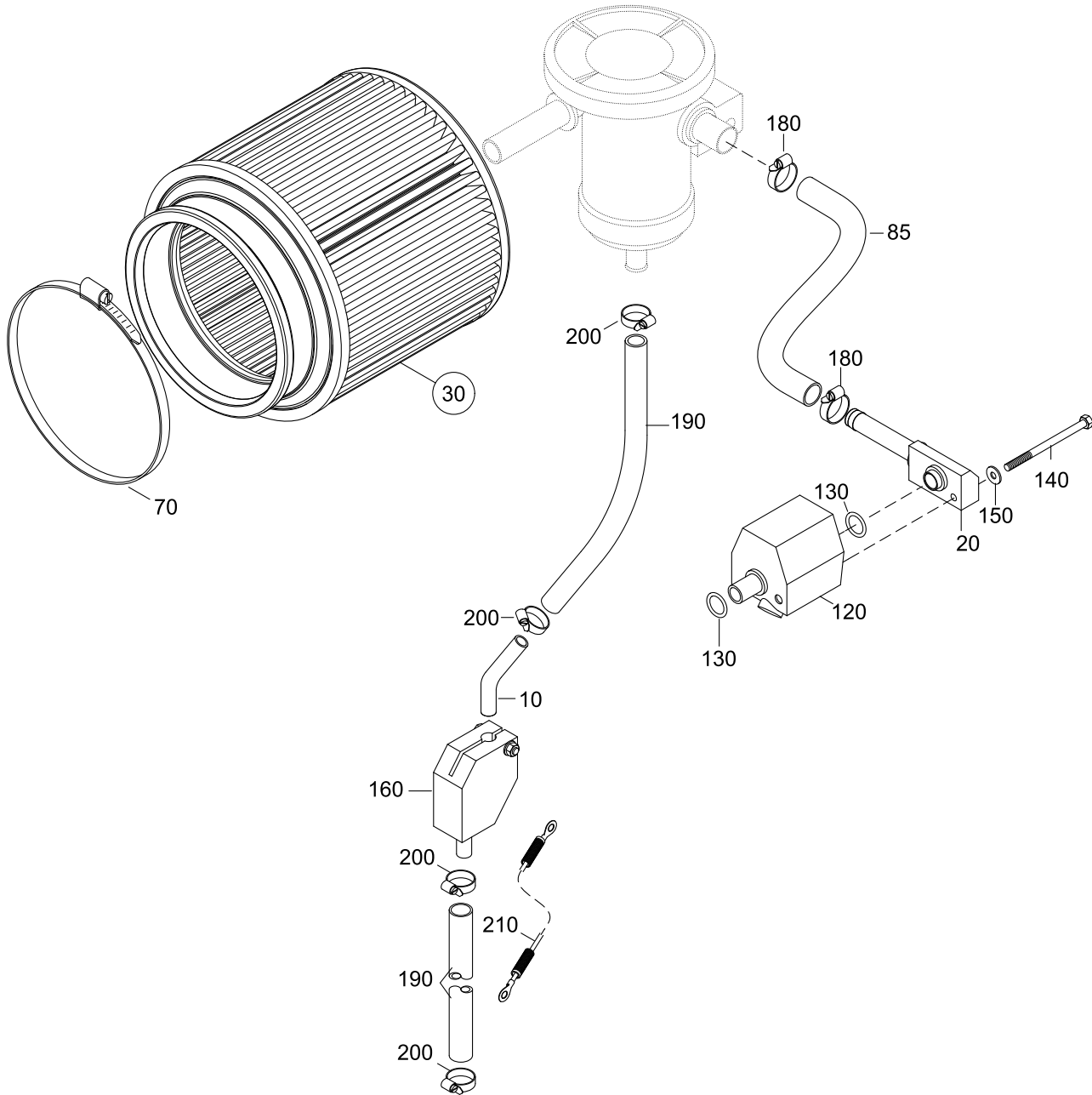
TA 0304



306 MARINE
H43WJ HIGH POWER
+ **SOLAS**

AIRFILTER, INVERSIONVALVE SOLAS

03046184-2





AIRFILTER, INVERSIONVALVE SOLAS	306 MARINE <small>H43WJ HIGH POWER</small> + SOLAS
--	--

03046184-2

Pos.	Part.-No.	Qty	Designation	Step
10	2179550-1	1	PIPE	.2
20	2179918-0	1	ADAPTER SOLAS ASSY.	.2
30	Z002100-4	1	AIR FILTER + HOSE CLAMP	.2
70	2179195-0	1	HOSE CLAMP 110-130/9	..3
85	2180483-0	1	MOULDED HOSE OIL SEPARATOR	.2
120	2179069-9	1	BALL VALVE ASSY. (PAINTED)	.2
130	2178310-1	2	O-RING 17x3,53	.2
140	9000452-0	1	HEX.HD.BOLT ISO 4014-M6x75-A2-70	.2
150	9000012-0	1	WASHER LARGE SERIES DIN 9021-6.4-140HV-A2	.2
160	2179070-9	1	BALL VALVE ASSY. (PAINTED)	.2
180	2177753-0	2	HOSE CLAMP 16-25/9 EN 10088-1	.2
190	2178287-2	1	HOSE, OIL DRAIN L=560	.2
200	2174405-0	2	HOSE CLAMP 10-16/7,5 EN 10088-1	.2
210	2206210-1	1	GROUND WIRE ASSY.	.2



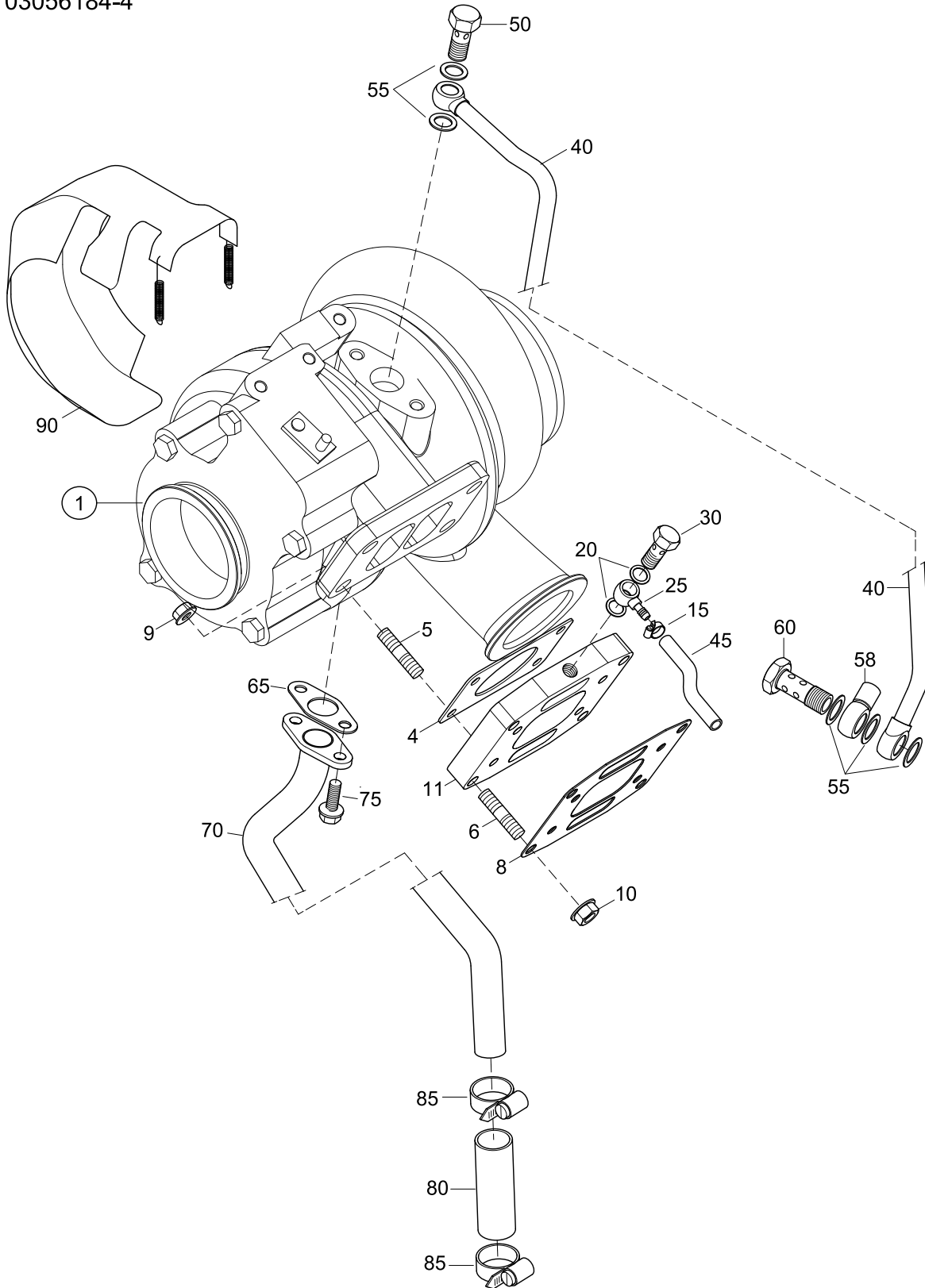


TA 0305

306 MARINE
H43WJ HIGH POWER
+ **SOLAS**

TURBOCHARGER

03056184-4





TURBOCHARGER	306 MARINE H43WJ HIGH POWER + SOLAS
---------------------	---

03056184-4

Pos.	Part.-No.	Qty	Designation	Step
1	Z026016-0	1	TURBO ASSY. (PAINTED)	.2
4	2200309-2	1	GASKET, TURBOCHARGER	.2
5	2178657-1	4	STUD DIN939-M10x27-1.4980	.2
6	9000515-0	4	STUD DIN835-M10x30-8.8-A3C	.2
8	2178487-4	1	GASKET, TURBOCHARGER	.2
9	2178640-1	4	HEX. NUT M10, PREVG. TORQUE, HIGH TEMP. RESISTANT	.2
10	9000042-1	4	HEX. FLANGE NUT DIN6923-M10-8-A3C	.2
11	2179234-1	1	INTERMEDIATE FLANGE ASSY.	.2
15	2174405-0	1	HOSE CLAMP 10-16/7,5 EN 10088-1	.2
20	3098011-0	2	SEALING RING DIN 7603-A10x16-CU	.2
25	2174384-1	1	BANJO DN6 DIN 7642	.2
30	9000010-1	1	HOLLOW SCREW M10x1 DIN 7643-6-3-S	.2
40	2180655-0	1	OIL INLET PIPE TURBOCHARGER	.2
45	2178552-0	1	HOSE VENTING	.2
50	2200506-0	1	HOLLOW SCREW THROTTLED M12x1,5	.2
55	3098013-0	5	SEALING RING DIN 7603-A12x18-CU	.2
58	2203772-0	1	BRACKET OIL PRESSURE SENSOR	.2
60	2203591-0	1	DOUBLE HOLLOW SCREW M12x1,5 DIN 7643-8	.2
65	2170460-0	1	GASKET TURBO OIL RETURN	.2
70	2178304-1	1	TUBE OIL-RETURN ASSY. (KTL)	.2
75	9000305-0	2	HEX. FLANGE BOLT EN 1665-M8x20-10.9-DAC	.2
80	2178298-0	1	HOSE, RETURN OIL	.2
85	2177464-0	2	CLAMP 20-32/12	.2
90	2179939-0	1	HEAT PROTECTING TURBO	.2





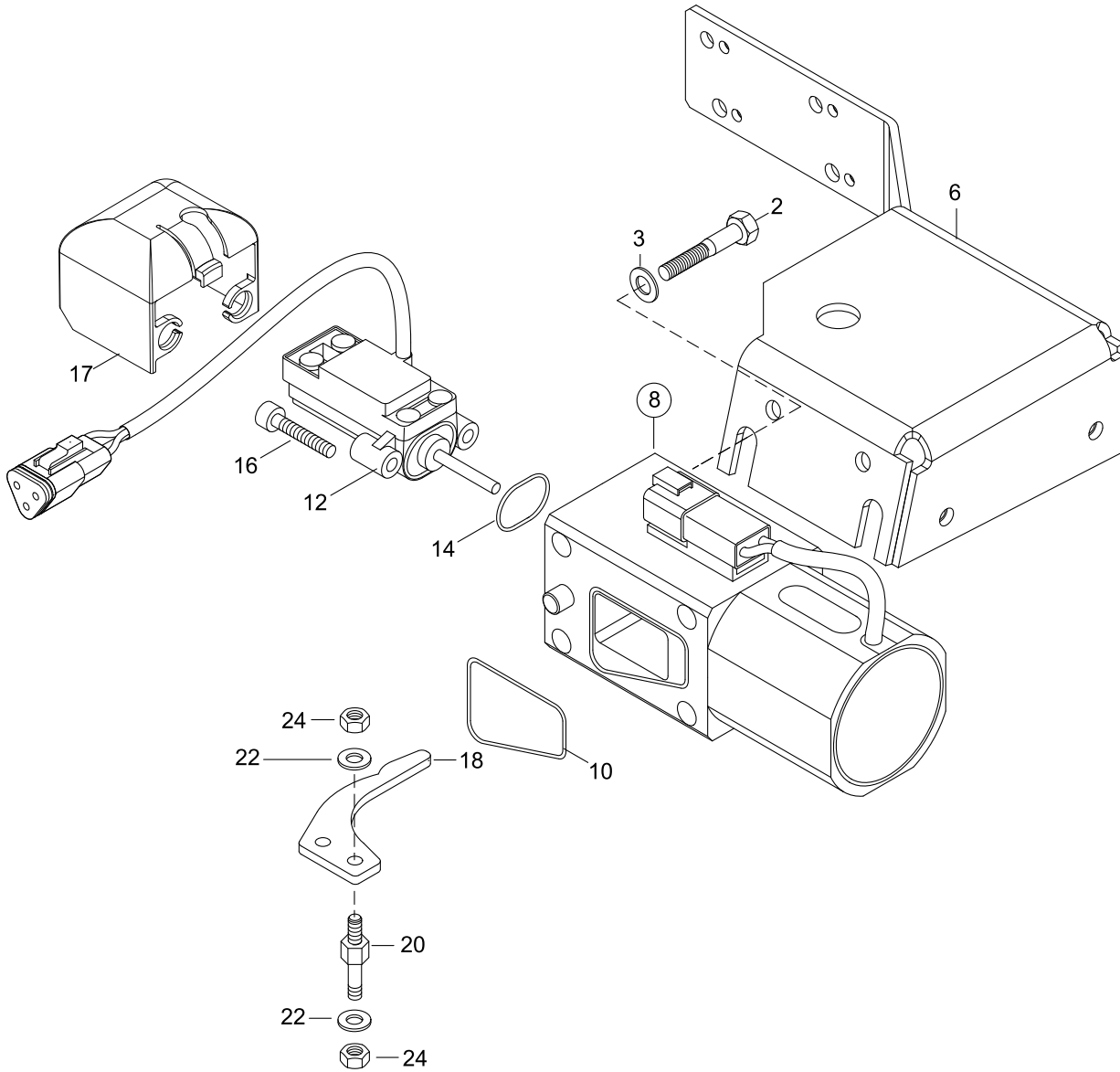
TA 0308



306 MARINE
H43WJ HIGH POWER
+ **SOLAS**

CONTR. SOLENOID, SENSOR CONTROL RACK POSITION

03086184-2



CONTR. SOLENOID, SENSOR CONTROL RACK POSITION

306 MARINE
 H43WJ HIGH POWER
 + SOLAS

03086184-2

Pos.	Part.-No.	Qty	Designation	Step
2	9000446-1	4	HEX.HD.BOLT ISO4014-M8x70-A4-70	.2
3	3930103-0	4	WASHER DIN 125-8.4-140HV-A2	.2
6	2178954-1	1	BRACKET POTENTIOMETER ACCELER. 6 CYL. MARINE	.2
8	Z002153-0	1	CONTROL SOLENOID W. SENSOR CONTROL RACK POSITION	.2
10	2179707-0	1	O-RING 43x3,5	..3
12	Z002160-0	1	SENSOR, CONTROL RACK POSITION	..3
14	2179708-0	1	O-RING 18x1,5	..3
16	9000116-1	2	HEX.SOCK. HD.CAP SCR. DIN 912-M5x20-A2-70	..3
17	2179766-0	1	PROTECTING CAP, RACK-SENSOR	..3
18	2176745-2	1	CONTROL-LEVER	.2
20	2176746-1	2	DISTANCE-SHAFT	.2
22	3931062-0	4	SPRING LOCK WASHER DIN 127-B5-FST-A3C	.2
24	3871222-0	4	HEX.NUT ISO 4032-M5-8-A2C	.2





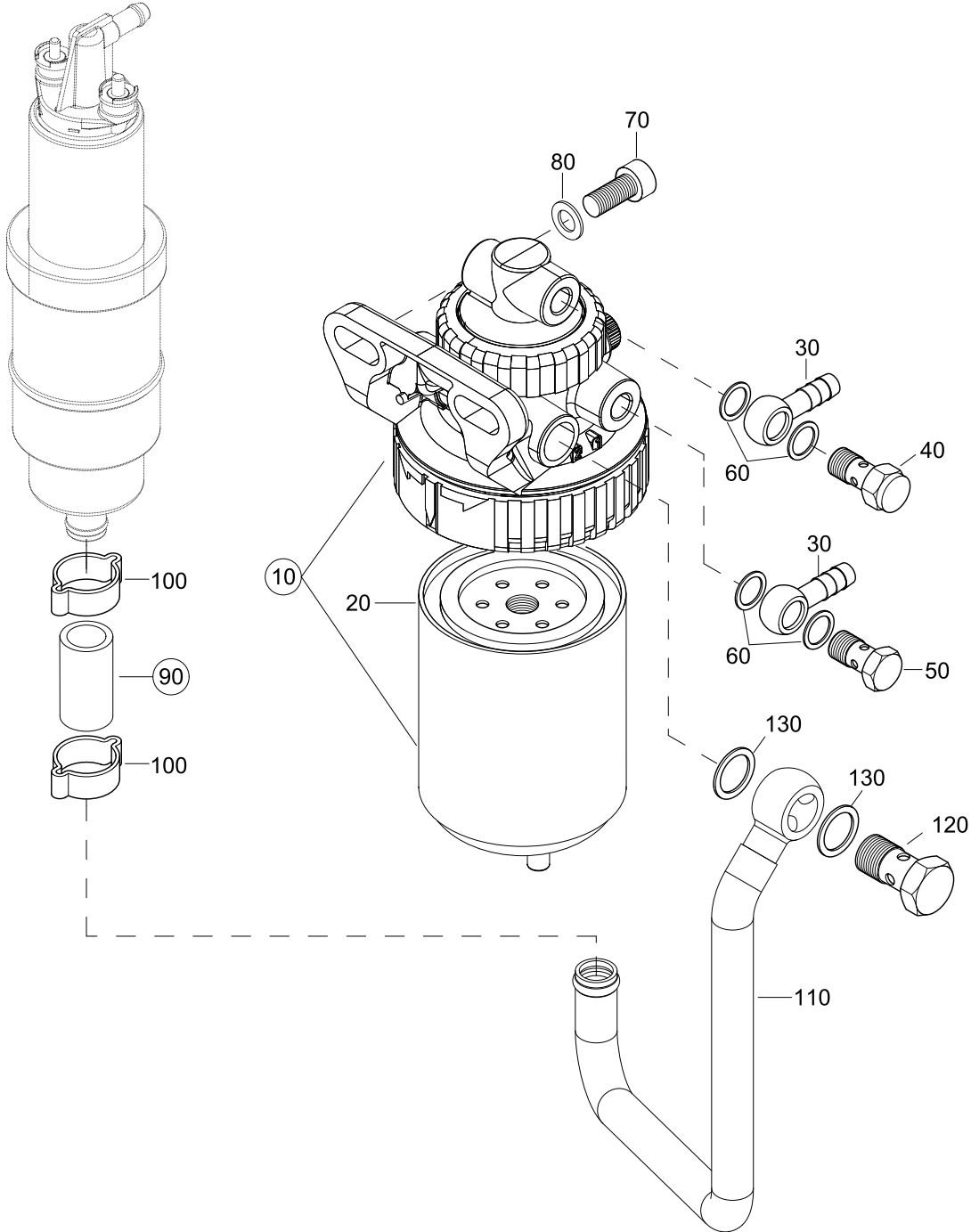
TA 0309



306 MARINE
H43WJ HIGH POWER
+ **SOLAS**

FUEL FILTER

03096184-2





FUEL FILTER

306 MARINE
H43WJ HIGH POWER
+ **SOLAS**

03096184-2

Pos.	Part.-No.	Qty	Designation	Step
10	Z026008-0	1	FILTER BRACKET W. FUEL FILTER ASSY.	.2
20	2179992-0	1	FUEL FILTER CARTRIDGE	..3
30	2174383-1	2	BANJO FITTING DN8 DIN 7642-A2C	..3
40	2178561-1	1	OVERFLOW VALVE FUEL	..3
50	9000053-0	1	HOLLOW SCREW M14x1,5 DIN 7643-10-ZN/NI	..3
60	3098015-0	4	SEALING RING DIN 7603-A14x20-CU	..3
70	3862433-0	2	HEX.SOCK. HD.CAP SCR. DIN 912-M8x30-A2-70	.2
80	3930103-0	2	WASHER DIN 125-8.4-140HV-A2	.2
90	Z026009-0	1	FUEL HOSE	.2
100	2180670-0	2	HOSE CLAMP 27mm	..3
110	2179924-0	1	ELBOW ADAPTOR ADJUSTABLE 90°	.2
120	9000095-0	1	HOLLOW SCREW M16x1,5 DIN 7643	.2
130	3098016-0	2	SEALING RING DIN 7603-A16x20-CU	.2



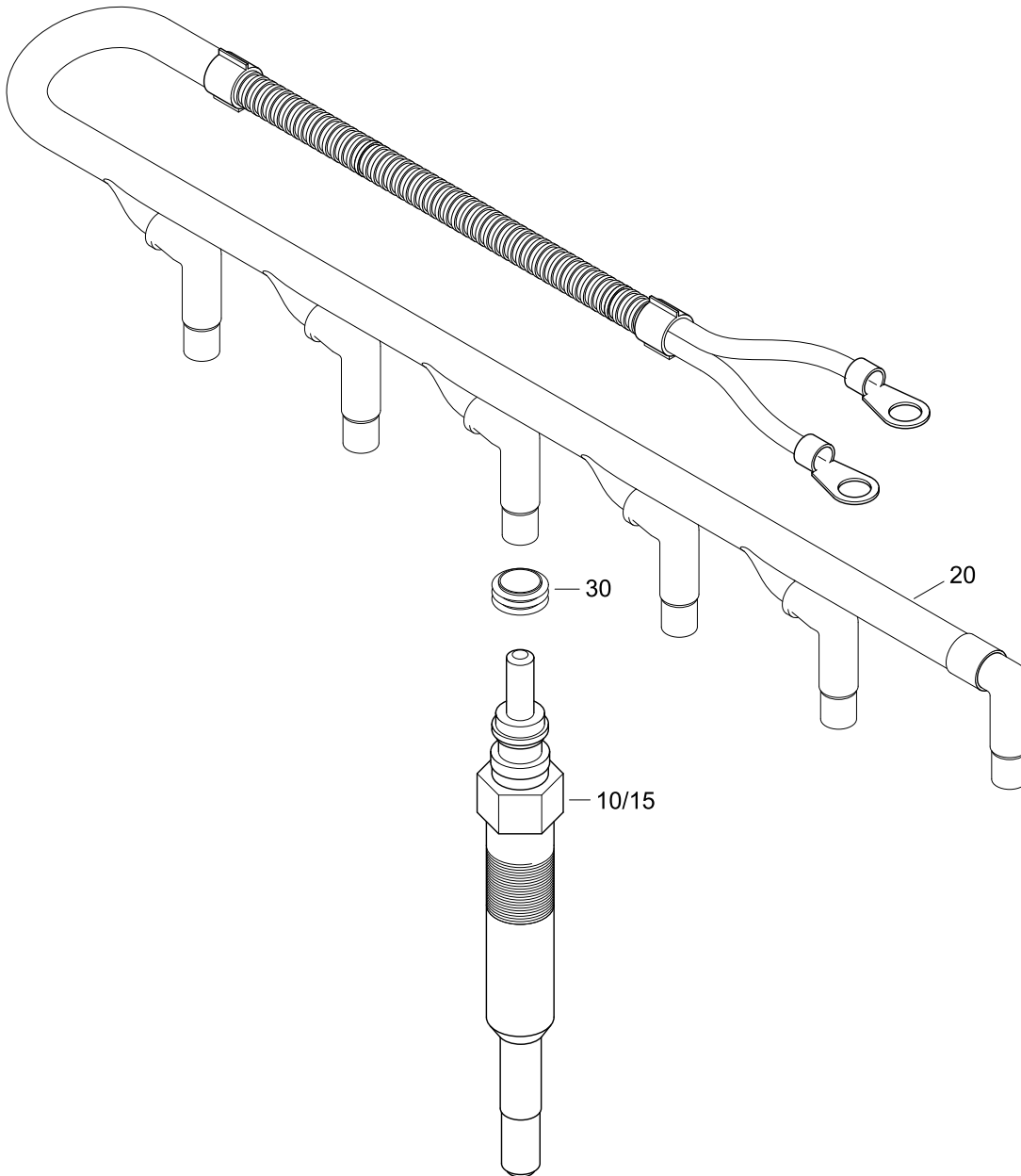


TA 0311

306 MARINE
H43WJ HIGH POWER
+ **SOLAS**

GLOW PIN

03116084-0



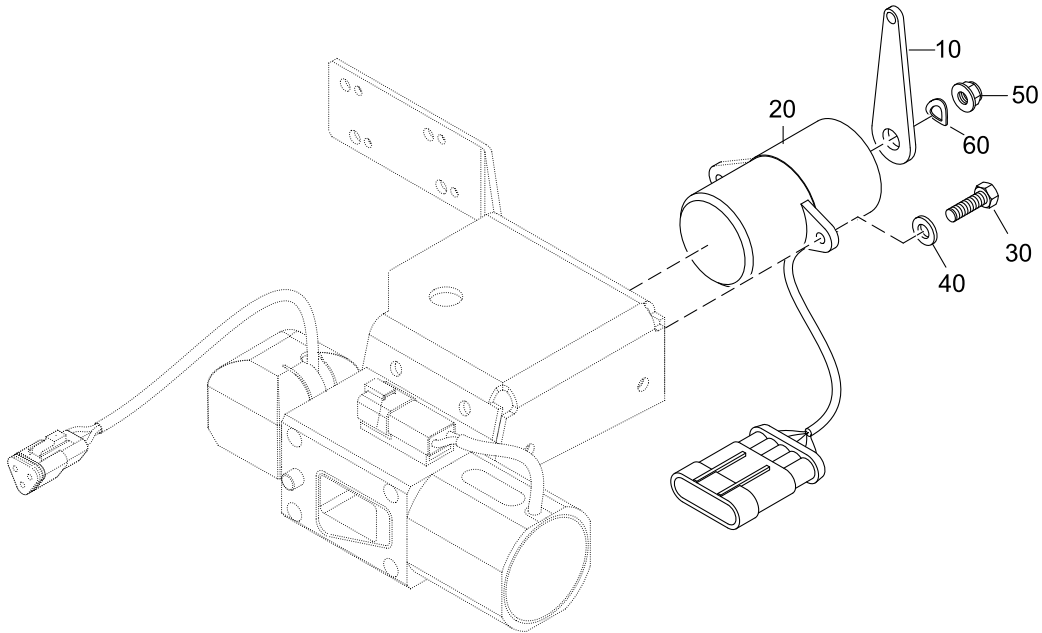


TA 0312

306 MARINE
H43WJ HIGH POWER
+ **SOLAS**

POTENTIOMETER ACCELERATOR

03126184-2



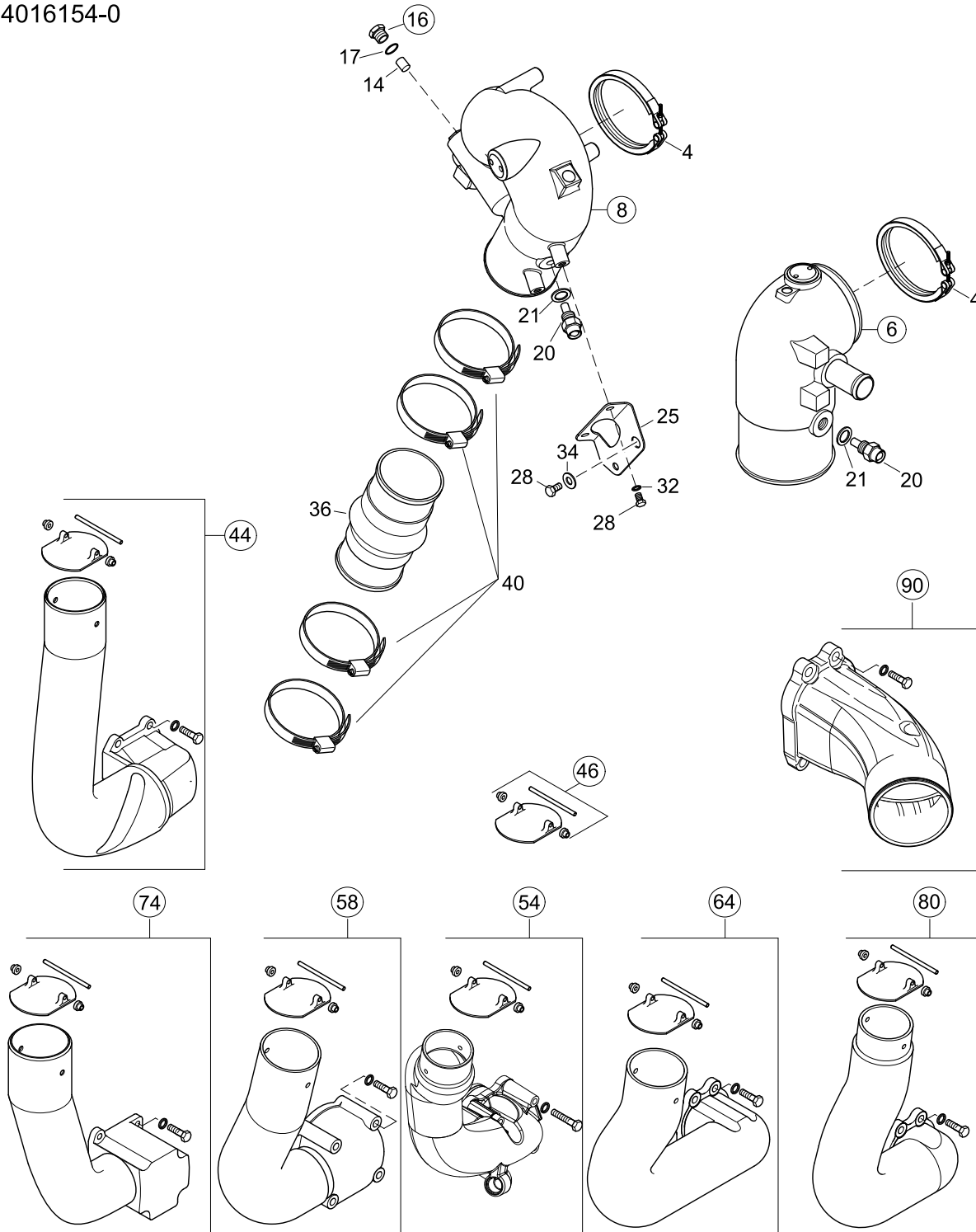


TA 0401

306 MARINE
H43WJ HIGH POWER
+ SOLAS

HIGH RISER, EXHAUSTPIPE

04016154-0



HIGH RISER, EXHAUSTPIPE

306 MARINE
H43WJ HIGH POWER
+ SOLAS

04016154-0

Pos.	Part.-No.	Qty	Designation	Step
4	2179198-0	1	V-CLAMP TURBO-HIGH RISER	.2
6	2179008-8	1	ELBOW ASSY, EXHAUST 256 (PAINTED)	.2
8	Z002626-5	1	ELBOW EXHAUST ASSY. PAINTED	.2
14	2178413-1	1	ZINC ANODE	..3
16	Z002017-0	1	PLUG & SEAL FOR ZINC-ANODE	..3
17	3098020-0	1	SEALING RING DIN 7603-A18x22-CU	..3
20	2174623-3	1	COOLANT TEMPERATURE SENSOR	.2
21	9000786-0	1	SEALING RING DIN 7603-A12x16-CU	.2
25	2178350-1	1	SUPPORT, ELBOW EXHAUST (KTL)	.2
28	3800224-0	3	HEX.HD.SCR. ISO 4017-M8x20-A2-70	.2
32	3930103-0	2	WASHER DIN 125-8.4-140HV-A2	.2
34	O125134-0	1	WASHER LARGE	.2
36	Z002072-0	1	KIT, HOSE-EXHAUST PIPE	.2
40	2178943-0	4	HOSE CLAMP 90-110/12	..3
44	2178896-0	1	EXHAUST PIPE AY. (PAIN.) VOLVO SX/OMC KING COBRA	.2
46	Z002063-0	1	FLAP KIT, EXHAUST PIPE	..3
54	2178885-0	1	EXHAUST PIPE AY. (PAIN.) VOLVO DP290 R4, R6	.2
58	2178885-1	1	EXHAUST PIPE AY. (PAIN.) VOLVO DP290 V8	.2
64	2178886-1	1	EXHAUST PIPE AY. (PAIN.) MERCURY	.2
74	2178925-0	1	EXHAUST PIPE AY. (PAIN.) STERNPOWER	.2
80	2178886-2	1	EXHAUST PIPE ASSY. DUAL STAGE COUPLER	.2
90	Z002121-0	1	EXHAUST FLANGE MERCURY-TRANSOM (PAINTED)	.2



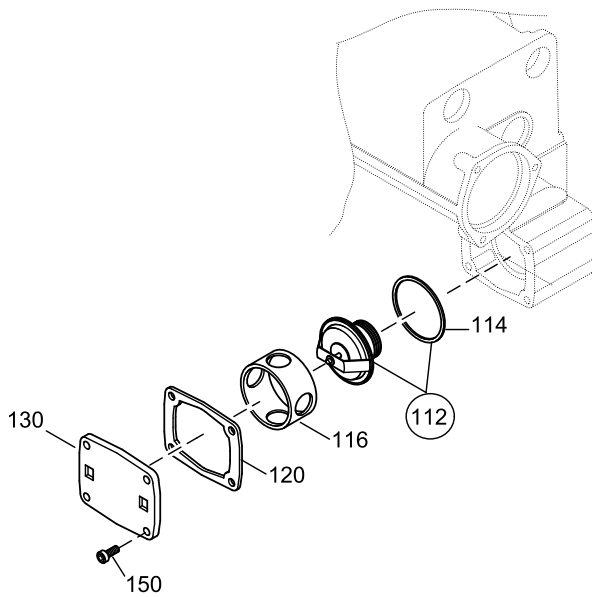
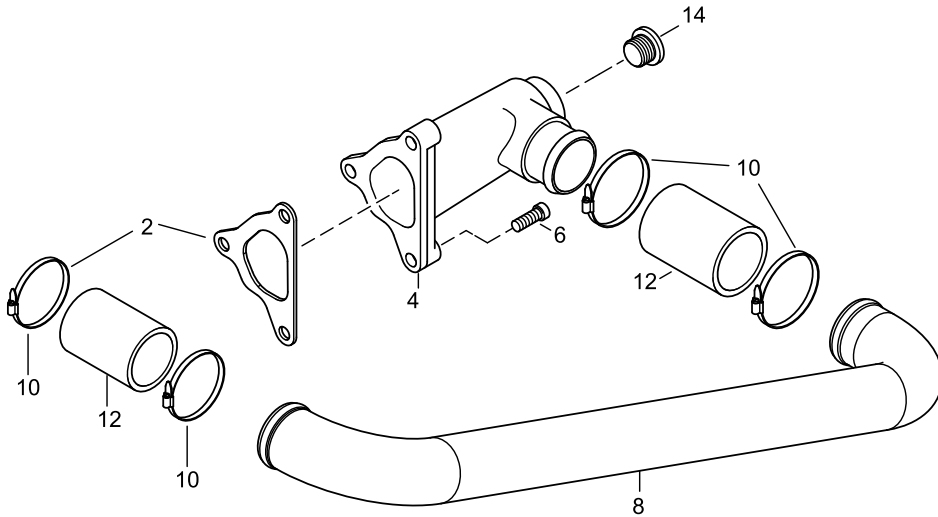


TA 0503

306 MARINE
H43WJ HIGH POWER
+ SOLAS

WATERPIPE, THERMOSTAT

05036184-2



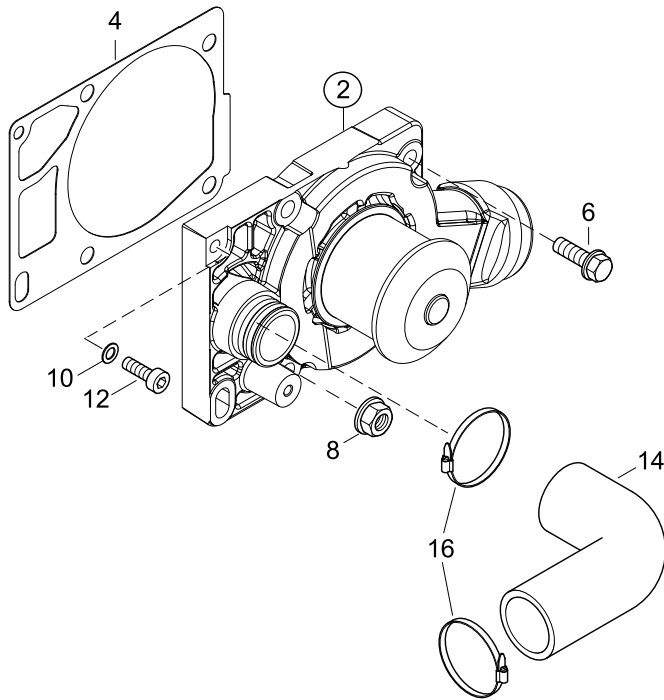


TA 0504

306 MARINE
H43WJ HIGH POWER
+ **SOLAS**

WATERPUMP

05046184-1



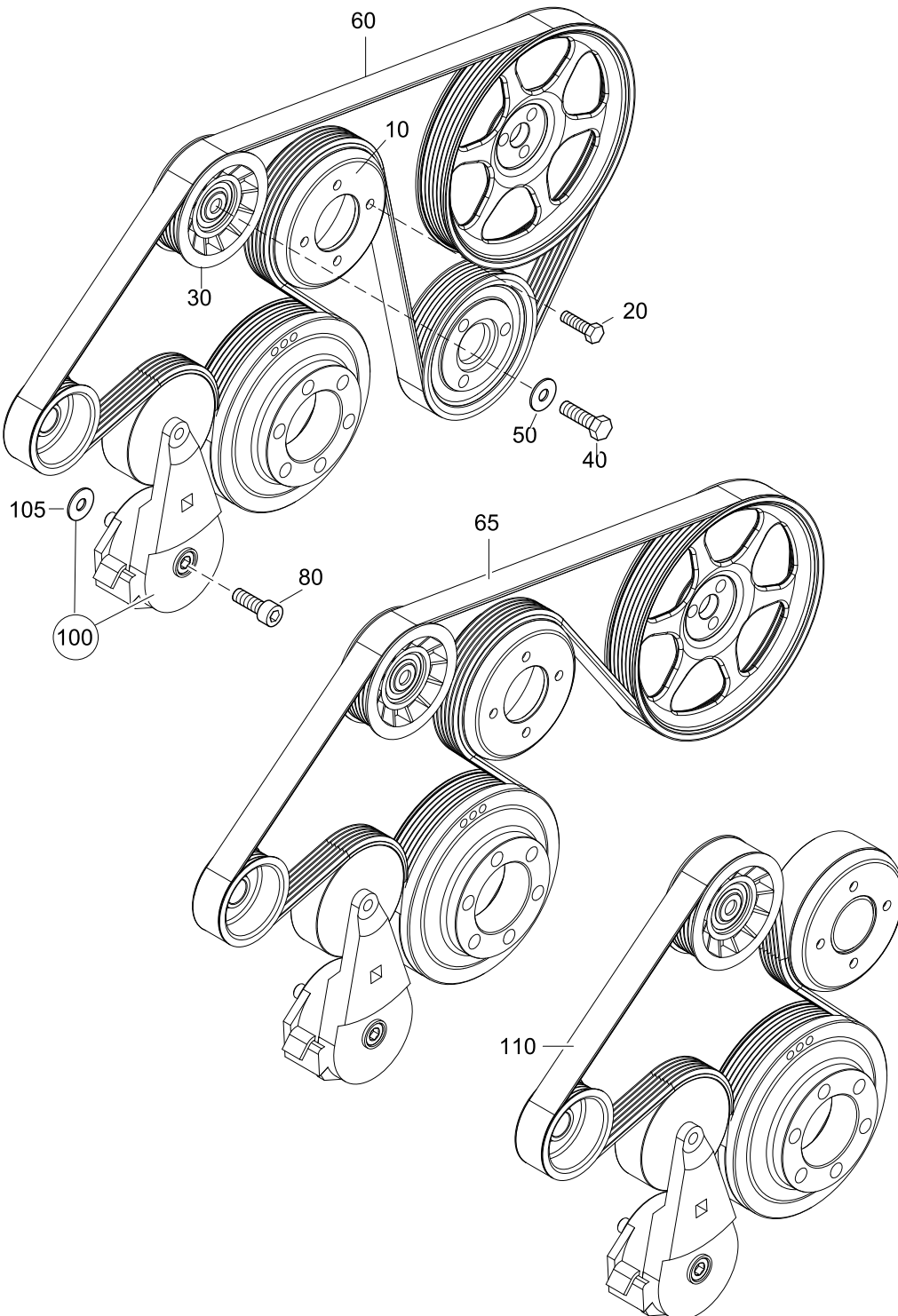


TA 0505

306 MARINE
H43WJ HIGH POWER
+ SOLAS

DRIVE BELTS, PULLEYS, TENSIONER

05056184-0



DRIVE BELTS, PULLEYS, TENSIONER

306 MARINE
H43WJ HIGH POWER
+ SOLAS

05056184-0

Pos.	Part.-No.	Qty	Designation	Step
10	2179879-0	1	PULLEY WAVELESS	.2
20	9000287-0	4	HEX.FLANGE BOLT EN 1665-M6x12-8.8-A3C	.2
30	2203559-0	1	IDLER PULLEY ASSY.	.2
40	3802527-0	1	HEX.HD.SCR. ISO 4017-M10x30-A4	.2
50	3936107-0	1	WASHER LARGE SERIES DIN 9021-10.5-140HV-A4	.2
60	2179951-0	1	POLY-V BELT L=1885	.2
65	2179928-0	1	POLY-V BELT L=1733	.2
80	9000014-1	1	HEX.SOCK. HD.CAP SCR. DIN 912-M10x50-10.9-A3C	.2
100	Z002421-0	1	SPARE P. TENSIONER POLY-V BELT	.2
105	9000438-0	1	SHIM RING DIN 988-10x16x0.3	..3
110	2180091-0	1	POLY-V BELT L= 923	.2



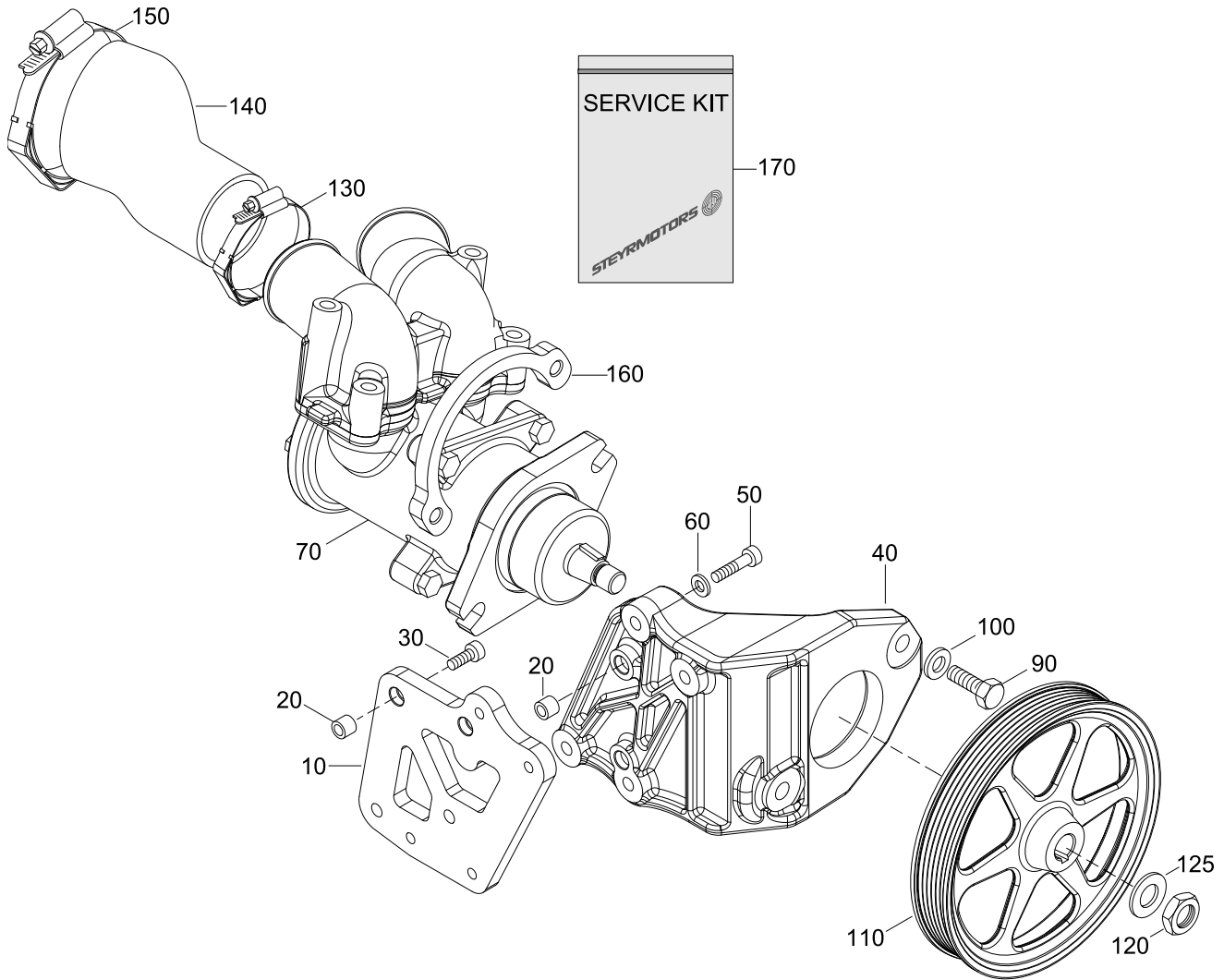


TA 0510

306 MARINE
H43WJ HIGH POWER
+ **SOLAS**

RAW WATER PUMP

05106184-3



RAW WATER PUMP	306 MARINE H43WJ HIGH POWER + SOLAS
-----------------------	---

05106184-3

Pos.	Part.-No.	Qty	Designation	Step
10	2179886-0	1	BASE PLATE, RAW WATER PUMP	.2
20	2203543-0	4	FITTING SLEEVE	.2
30	3862428-0	4	HEX.SOCK. HD.CAP SCR. DIN 912-M8x25-8.8-A2C	.2
40	Z026017-0	1	BRACKET, RAW WATER PUMP (PAINTED)	.2
50	9000045-0	4	HEX.SOCK. HD.CAP SCR. DIN 912-M8x40-8.8-DAC A500	.2
60	3930103-0	4	WASHER DIN 125-8.4-140HV-A2	.2
70	Z026018-0	1	RAW WATER PUMP (PAINTED)	.2
90	3800529-0	2	HEX.HD.BOLT ISO 4014-M10x40-8.8-A3C	.2
100	3930075-0	2	WASHER DIN 125 A10.5-140HV-A2	.2
110	2179892-0	1	PULLEY, RAW WATER PUMP	.2
120	9000375-0	1	HEX.THIN NUT ISO 8675-M14x1.5-04-A3C	.2
125	9000417-0	1	WASHER DIN 125-15.1-140 HV-A3C	.2
130	2179050-0	1	HOSE CLAMP WITH SPRING 40-60/9	.2
140	2179845-0	1	MOLDED HOSE WATERPUMP-TRIPPLE COOLER	.2
150	2179178-0	1	HOSE CLAMP WITH SPRING 70-90/9-C7 W3	.2
160	2179885-0	1	SUPPORT, RAW WATER PUMP	.2
170	Z011754-0	1	SERVICE KIT, RAW WATER PUMP	.2





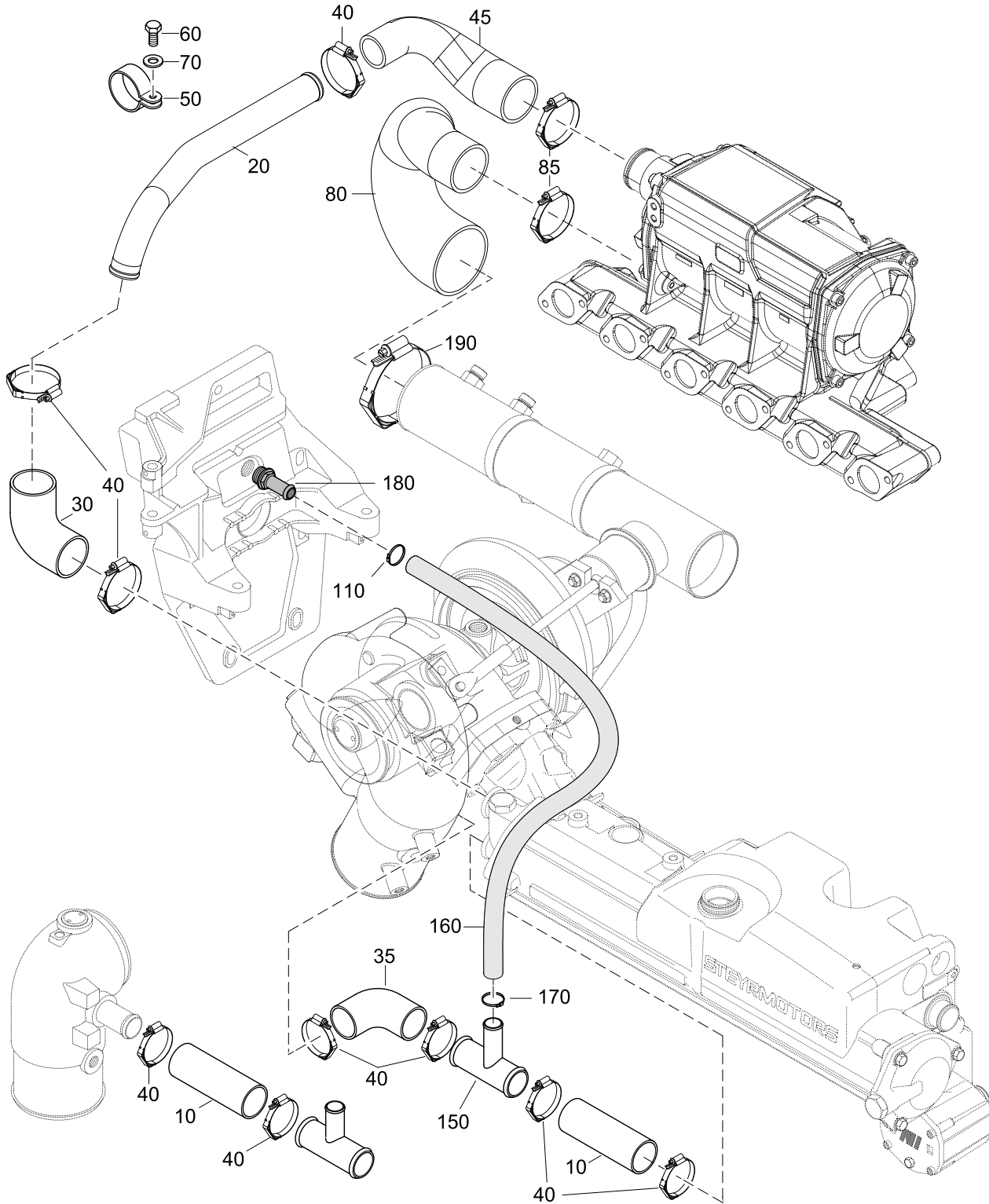
TA 0512



306 MARINE
H43WJ HIGH POWER
+ **SOLAS**

RAW WATER PIPES

05126184-4





RAW WATER PIPES	306 MARINE <small>H43WJ HIGH POWER</small> + SOLAS
------------------------	--

05126184-4

Pos.	Part.-No.	Qty	Designation	Step
10	2177760-1	1	COOLING-WATER HOSE 32x65	.2
20	2179822-0	1	TUBE AIR COOLER - HEAT EXCHANGER	.2
30	2173704-0	1	HOSE-ELBOW 32/90°x 58	.2
35	2178462-0	1	HOSE-ELBOW 32/90°x 88	.2
40	2179044-0	10	HOSE CLAMP WITH SPRING 25-40/9	.2
45	2179826-0	1	MOULDED HOSE, HEAT EXCHANGER PIPE	.2
50	2178446-0	1	PIPE CLAMP RSGU1.32/15-W5	.2
60	3800233-0	1	HEX.HD.SCR. ISO 4017-M6x16-A2-70	.2
70	3930070-0	1	WASHER DIN 125-6-140HV-A2	.2
80	2179859-0	1	MOLDED HOSE TRIPPLE COOLER-INTERCOOLER	.2
85	2180802-0	2	HOSE CLAMP WITH SPRING 40-60-12	.2
150	2040095-2	1	PIPE ENGINE-COOLANT 32/19	.2
160	2179330-0	1	HOSE RAW WATER 20x1050	.2
170	2177464-0	2	CLAMP 20-32/12	.2
180	9000468-1	1	SCREW IN SOCKET	.2
190	2179178-0	1	HOSE CLAMP WITH SPRING 70-90/9-C7 W3	.2



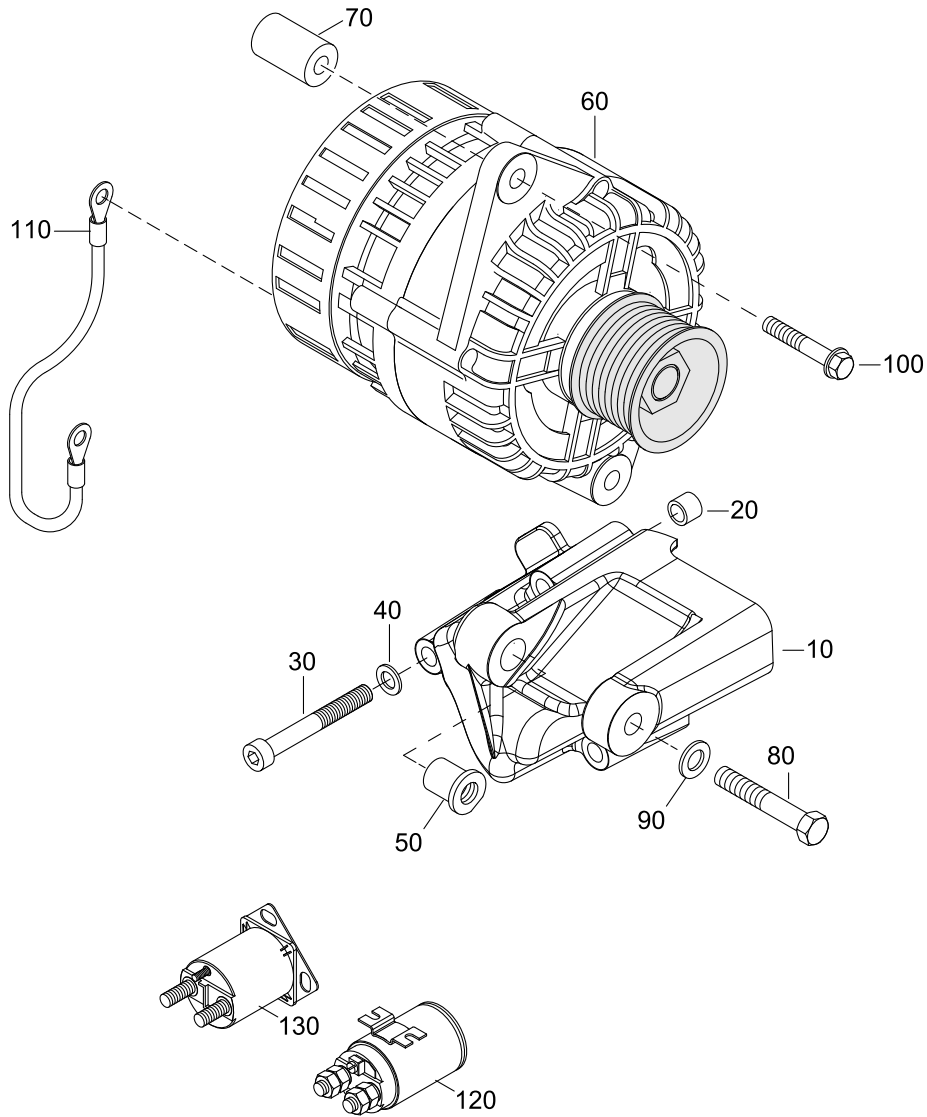


TA 0601

306 MARINE
H43WJ HIGH POWER
+ **SOLAS**

ALTERNATOR 14V / 90A

06016184-6





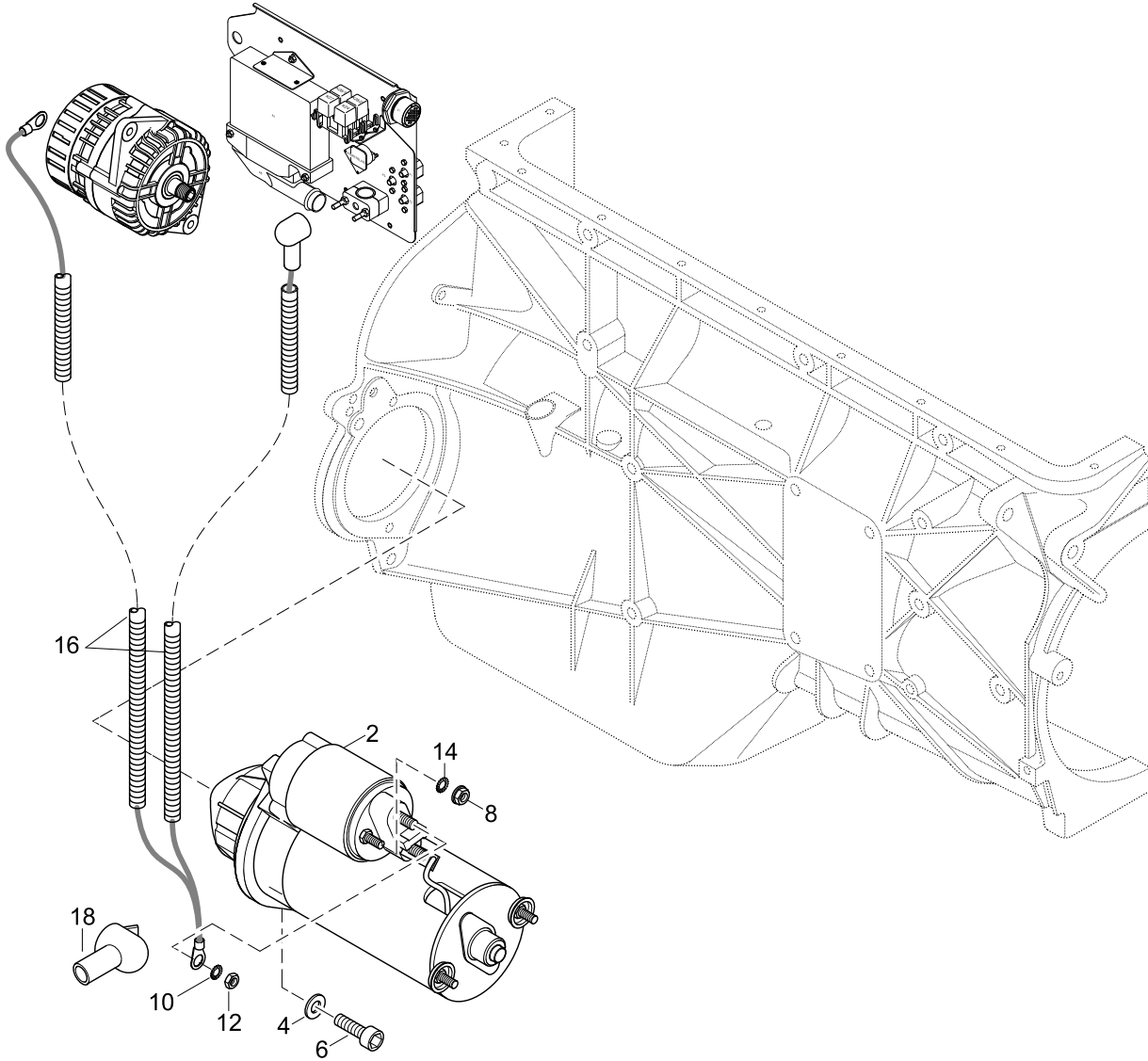
TA 0603



306 MARINE
H43WJ HIGH POWER
+ **SOLAS**

STARTING MOTOR

06036084-3



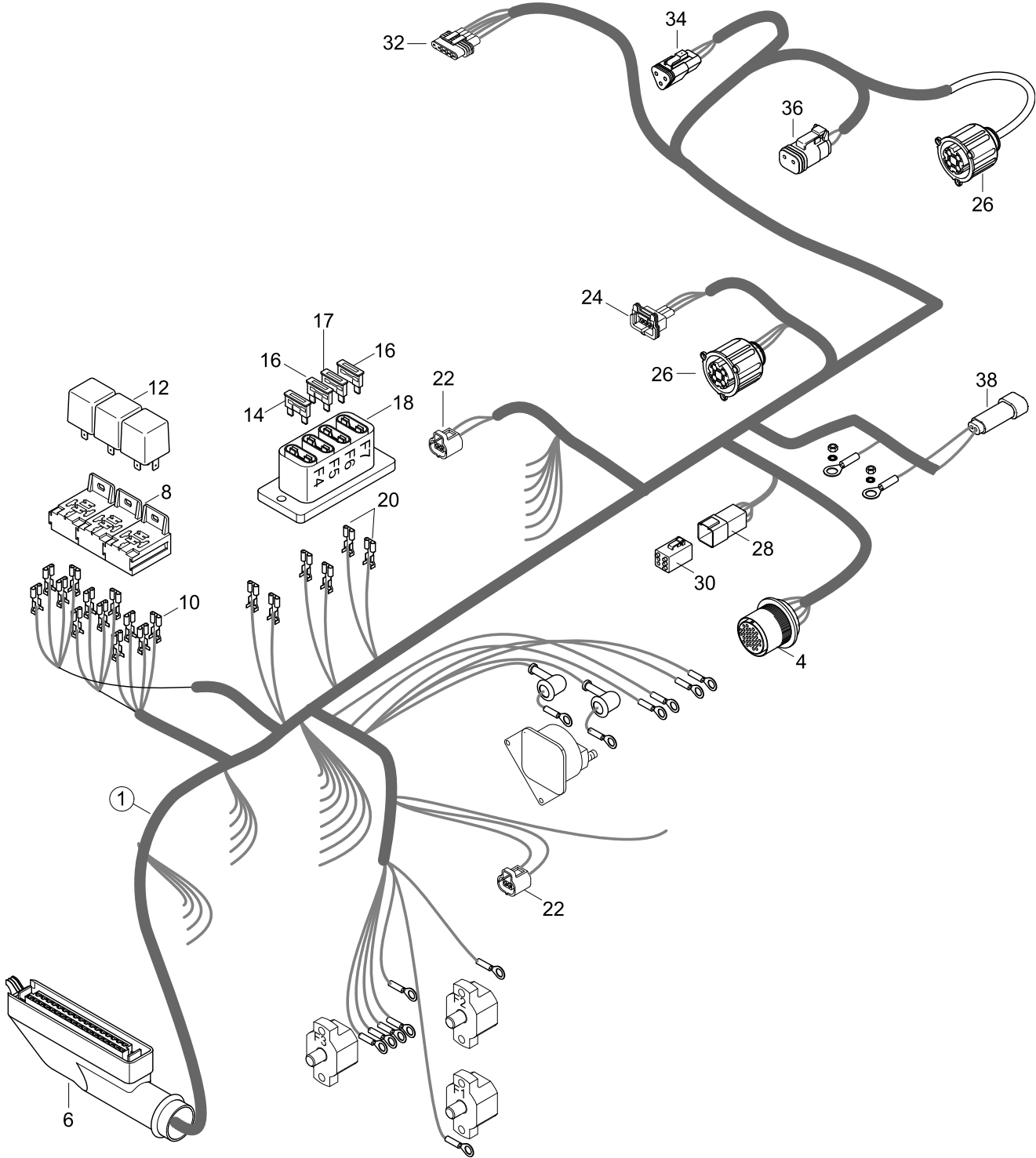


TA 0605

306 MARINE
H43WJ HIGH POWER
+ **SOLAS**

ENGINE HARNESS

06056184-3





ENGINE HARNESS

306 MARINE
H43WJ HIGH POWER
+ SOLAS

06056184-3

Pos.	Part.-No.	Qty	Designation	Step
1	Z026032-0	1	ENGINE HARNESS ASSY.	.2
4	Z002410-0	1	PLUG PAIR COMPL. 23-POLE	.3
6	Z002411-0	1	RECEPTACLE COMPL. ECU	.3
8	9000421-0	3	RELAY SOCKET	.3
10	3499650-0	19	RECEPTACLE 6,3-2,5	.3
12	9000183-0	3	RELAY 12V 40A	.3
14	12156	1	FUSE 5A, LIGHTBRAUN	.3
16	11345	2	FUSE 10A, RED	.3
17	11343	1	FUSE 20A, YELLOW	.3
18	2206152-0	1	FUSE CARRIER 4 WAY	.3
20	9000125-0	6	BLADE TERMINAL 6,3x2,5 / 1,5-2,5	.3
22	Z002046-1	2	CONNECTOR COOLANT TEMP. SENSOR	.3
24	Z002412-0	1	PLUG COMPL. REVOLUTION SENSOR	.3
26	Z002139-0	2	PLUG, PRESSURE SENSOR 3-POLE	.3
28	Z002415-0	1	PLUG COMPL. DIAGNOSTIC 6 WAY	.3
30	2178729-3	1	DIAGNOSTIC PLUG 6-WAY	.3
32	Z002414-0	1	CONNECTOR POTENTI. ACCELERATOR	.3
34	Z002416-0	1	PLUG POT. CONTROL ROD POSITION 3-POLE	.3
36	Z002417-0	1	PLUG COMPL. CONTROL SOLENOID 2-POLE	.3
38	Z002419-0	1	PLUG COMPL. GEAR SWITCH 2 WAY	.3





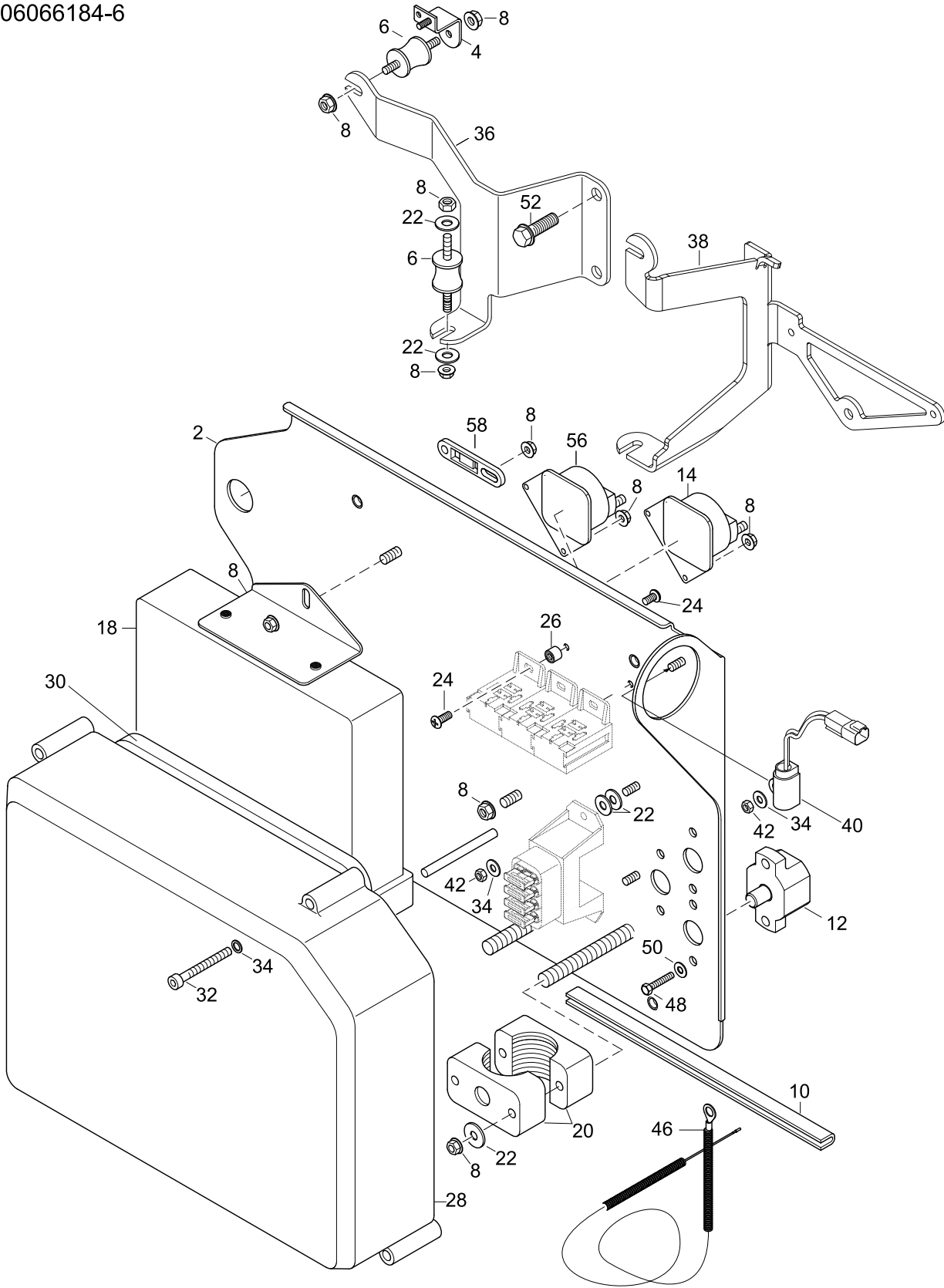
TA 0606



306 MARINE
H43WJ HIGH POWER
+ SOLAS

SECURETYSYSTEM, FUSES, ECU, E-BOX

06066184-6





SECURETYSYSTEM, FUSES, ECU, E-BOX

306 MARINE
H43WJ HIGH POWER
+ SOLAS

06066184-6

Pos.	Part.-No.	Qty	Designation	Step
2	2203723-1	1	BASE PLATE	.2
4	2203723-B	2	BRACKET BASEPLATE	.2
6	2203744-0	4	RUBBER MOUNT	.2
8	3880049-0	14	HEX.FLANGE NUT DIN 6923-M6-A2-70	.2
10	2173329-0	0.2	EDGE PROTECTOR	.2
12	O913774-0	3	AUTOMATIC CIRCUIT BREAKER 50A	.2
14	9000187-0	1	SOLENOID STARTER	.2
18	2176846-8	1	ENGINE CONTROL UNIT MO306H43WJ	.2
20	2203753-0	2	CLAMP, FASTEN ENGINE-HARNESS	.2
22	9000012-0	10	WASHER LARGE SERIES DIN 9021-6.4-140HV-A2	.2
24	9000215-1	4	CROSS RECESS PAN HD.SCR. ISO 7045-M5x6-A2-50-H	.2
26	2179004-0	2	SILENT BLOCK M5	.2
28	2203720-0	1	COVERING, ENGINE ELECTRIC	.2
30	2171410-1	1	SEAL, COVERING ENGINE ELECTRIC	.2
32	9000003-0	5	HEX.SOCK. HD.CAP SCR. DIN 912-M5x55-A2-70	.2
34	3930069-0	8	WASHER ISO 7089-5-200HV-A2	.2
36	2178951-1	1	REAR E-BOX BOW 100mm	.2
38	2180174-0	1	E-BOX BOW	.2
40	2178971-G	1	INVERSION-SWITCH ASSY	.2
42	3870050-0	3	HEX.NUT DIN 934-M5-A2-70	.2
46	2178975-0	1	CABLE INVERSION-SWITCH SOLAS	.2
48	9000424-0	6	HEX.HD.SCR. ISO 4017-8/32UNCx20-A2-70	.2
50	3930072-0	6	WASHER LARGE SERIES DIN 9021-4.3-A2	.2
52	9000305-0	4	HEX.FLANGE BOLT EN 1665-M8x20-10.9-DAC	.2
56	2206161-0	1	POWER SOLENOID 12V	.2
58	2178870-0	1	FIXTURE, CABLE TIE	.2





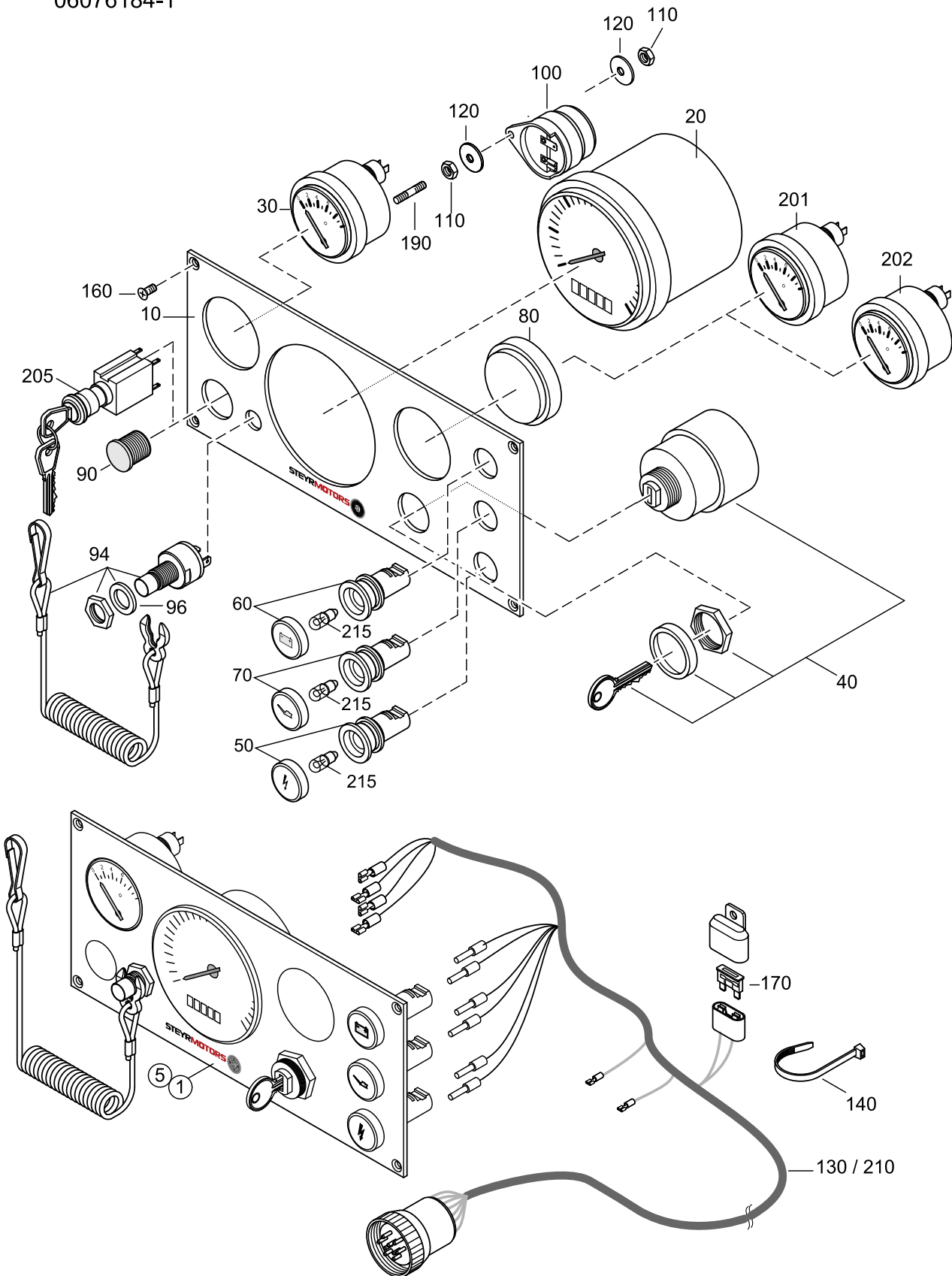
TA 0607



306 MARINE
H43WJ HIGH POWER
+ **SOLAS**

INSTRUMENTPANEL (STANDARD)
TILL -->2010

06076184-1



INSTRUMENTPANEL (STANDARD) TILL -->2010	306 MARINE H43WJ HIGH POWER + SOLAS
---	---

06076184-1

Pos.	Part.-No.	Qty	Designation	Step
1	Z021006-0	1	PANEL ASSY. (FROM 2004 —>2010)	.2
5	Z002635-0	1	PANEL ASSY. (TILL —>2004)	.2
10	2178831-3	1	INSTRUMENT PANEL	..3
20	2178756-3	1	REVOLU. & OPERA. HOUR COUNTER	..3
30	2178229-2	1	COOLANT TEMPERATURE GAUGE	..3
40	2178761-4	1	GLOW-START SWITCH ASSY. (SPARE)	..3
50	2179290-0	1	WARNING-LIGHT CHECK ENGI. ASSY	..3
60	2179291-0	1	WARNING-LIGHT BATTERY CHARGE ASSY. 12V	..3
70	2179292-0	1	WARNING-LIGHT ENGINE-OIL ASSY.	..3
80	2178759-2	1	BLIND COVER	..3
90	2179320-0	1	BLIND PLUG, BLACK	..3
94	Z002073-0	1	EMERGENCY CUTOFF SWITCH KIT	..3
96	2176170-0	1	O-RING 15x2	..3
100	2178760-1	1	HORN AUDIBLE WARNING	..3
110	3870051-0	2	HEX.NUT ISO 4032-M4-A2-70	..3
120	3930072-0	2	WASHER LARGE SERIES DIN 9021-4.3-A2	..3
130	Z002669-0	1	CABLE ASSY. INSTRUMENT 7m (CONDUCTOR SLEEVE)	..3
140	3171034-0	1	TIE STRAP N 05199-A4,5x160	..3
160	9000192-0	4	CR.REC.COUNT.SUNK HD.TPG.SCR. ISO 7050-ST3.5x16	..3
170	11345	1	FUSE 10A, RED	..3
190	2206167-1	1	STUD	..3
201	2178227-2	1	OIL PRESSURE GAUGE 10 BAR (ACCESSORY)	.2
202	2178231-1	1	VOLTMETER 12V (ACCESSORY)	.2
205	2178761-2	1	KEY-SWITCH CONSTANT REVOLUTION (ACCESSORY)	.2
210	Z002670-0	1	CABLE ASSY. INSTRUMENT 1.5m (CONDUCTOR SLEEVE)	.2



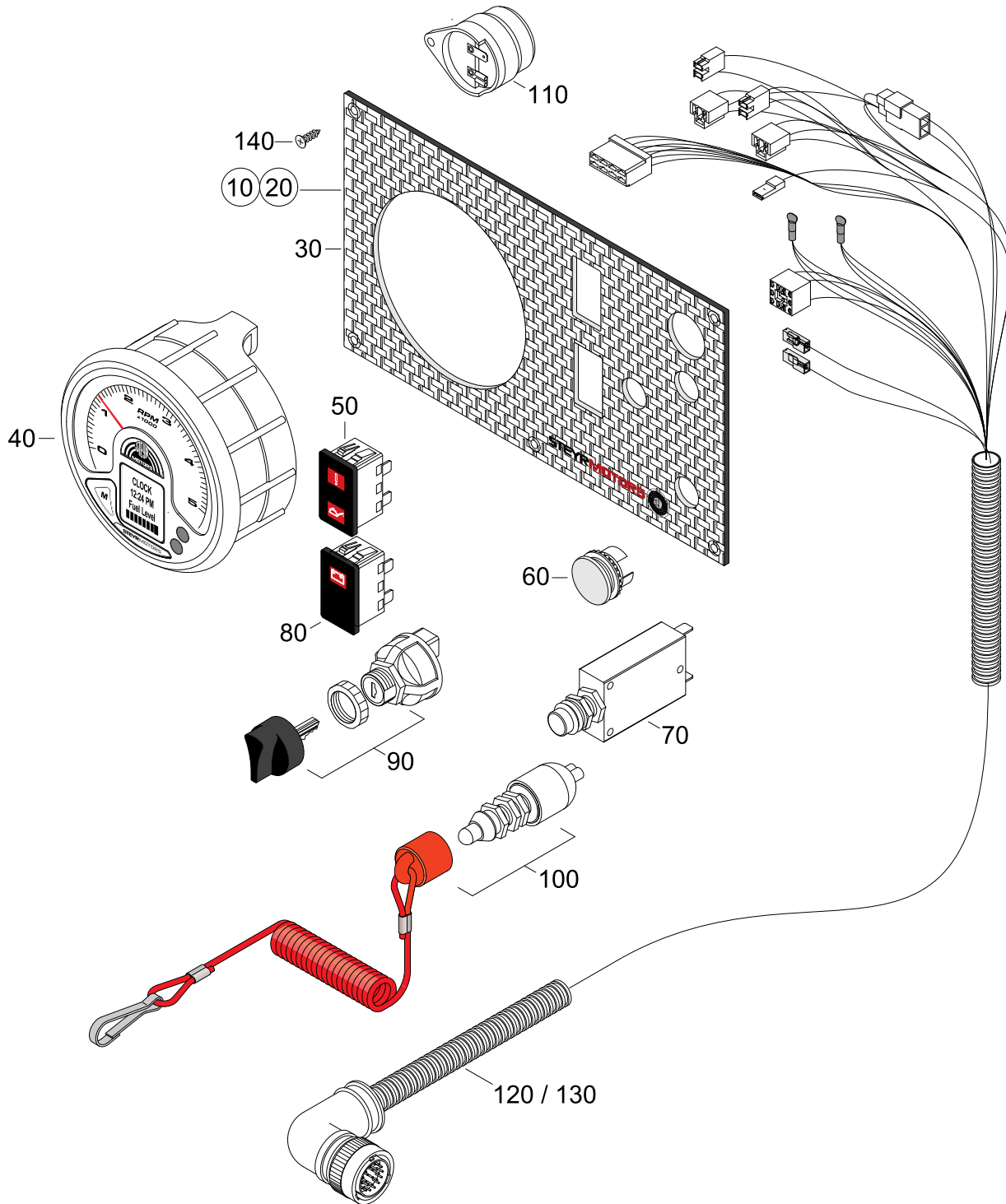


TA 0607



<p>306 MARINE H43WJ HIGH POWER + SOLAS</p>	<p>INSTRUMENTPANEL (STANDARD) FROM 2010--></p>
---	--

06072184-1



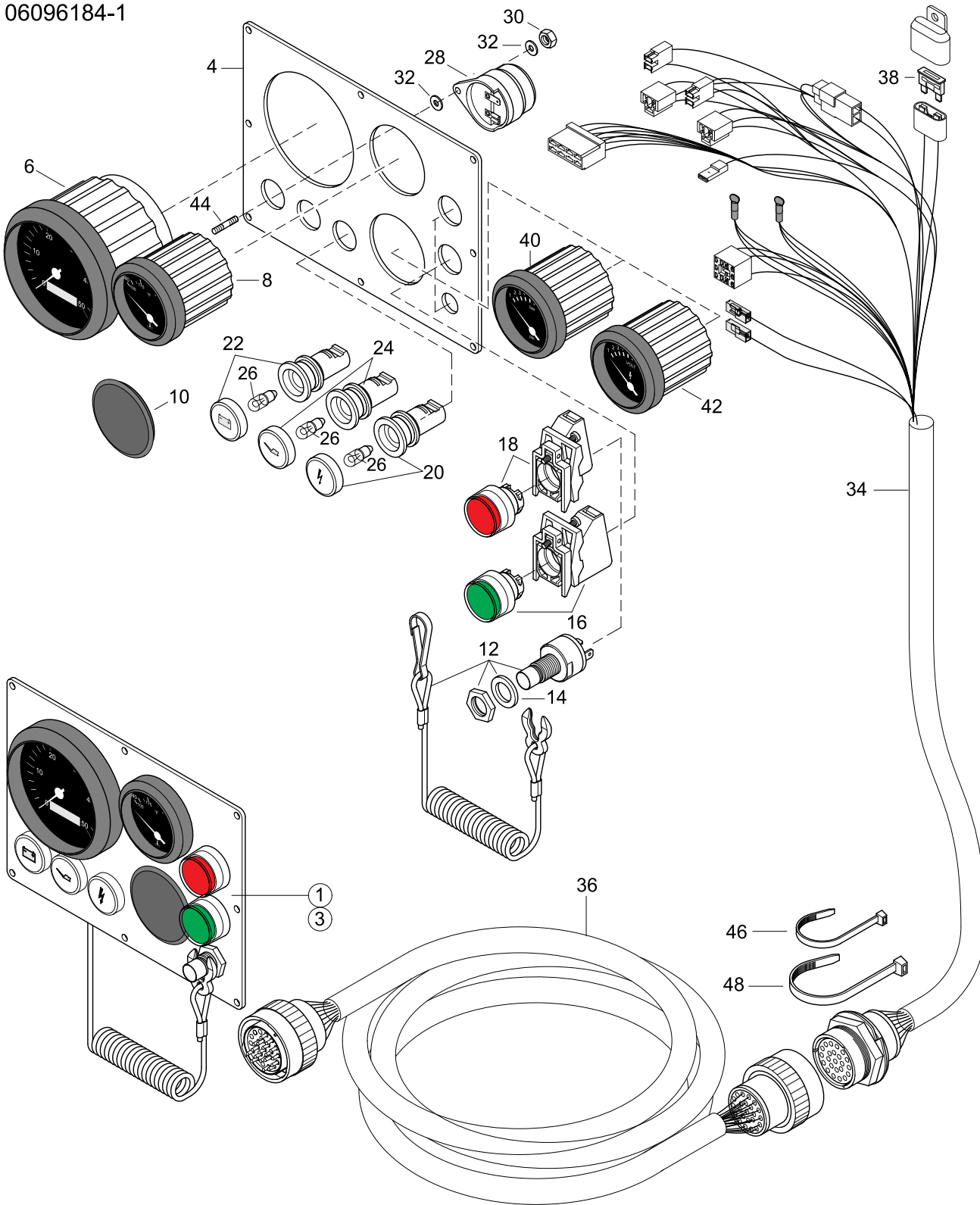


TA 0609



<p>306 MARINE H43WJ HIGH POWER + SOLAS</p>	<p>INSTRUMENTPANEL SOLAS (STANDARD) TILL -->2010</p>
---	--

06096184-1



**INSTRUMENTPANEL SOLAS (STANDARD)
TILL -->2010**



06096184-1

Pos.	Part.-No.	Qty	Designation	Step
1	Z021007-0	1	PANEL ASSY. SOLAS (FROM 2004—>2010)	.2
3	Z002122-0	1	PANEL ASSY. SOLAS (TILL —>2004)	.2
4	2178831-4	1	INSTRUMENT PANEL SOLAS	.3
6	2178756-3	1	REVOLU. & OPERA. HOUR COUNTER	.3
8	2178229-2	1	COOLANT TEMPERATURE GAUGE	.3
10	2178759-2	1	BLIND COVER	.3
12	Z002073-0	1	EMERGENCY CUTOFF SWITCH KIT	.3
14	2176170-0	1	O-RING 15x2	.3
16	2179294-0	1	SWITCH ASSY. START GREEN	.3
18	2179293-5	1	IGNITION SWITCH RED ASSY.	.3
20	2179290-0	1	WARNING-LIGHT CHECK ENGI. ASSY	.3
22	2179291-0	1	WARNING-LIGHT BATTERY CHARGE ASSY. 12V	.3
24	2179292-0	1	WARNING-LIGHT ENGINE-OIL ASSY.	.3
26	2179162-0	3	MINIATUR LAMP 12V/2W 10x28	.3
28	2178760-1	1	HORN AUDIBLE WARNING	.3
30	3870051-0	2	HEX.NUT ISO 4032-M4-A2-70	.3
32	3930072-0	2	WASHER LARGE SERIES DIN 9021-4.3-A2	.3
34	Z002671-0	1	CABLE ASSY. INSTR. 1.5m SOLAS	.3
36	2206291-1	1	INTERMEDIATE CABLE 5m	.3
38	11345	1	FUSE 10A, RED	.3
40	2178227-2	1	OIL PRESSURE GAUGE 10 BAR (ACCESSORY)	.2
42	2178231-1	1	VOLTMETER 12V (ACCESSORY)	.2
44	2206167-1	1	STUD	.2
46	3171034-0	1	TIE STRAP N 05199-A4,5x160	.2





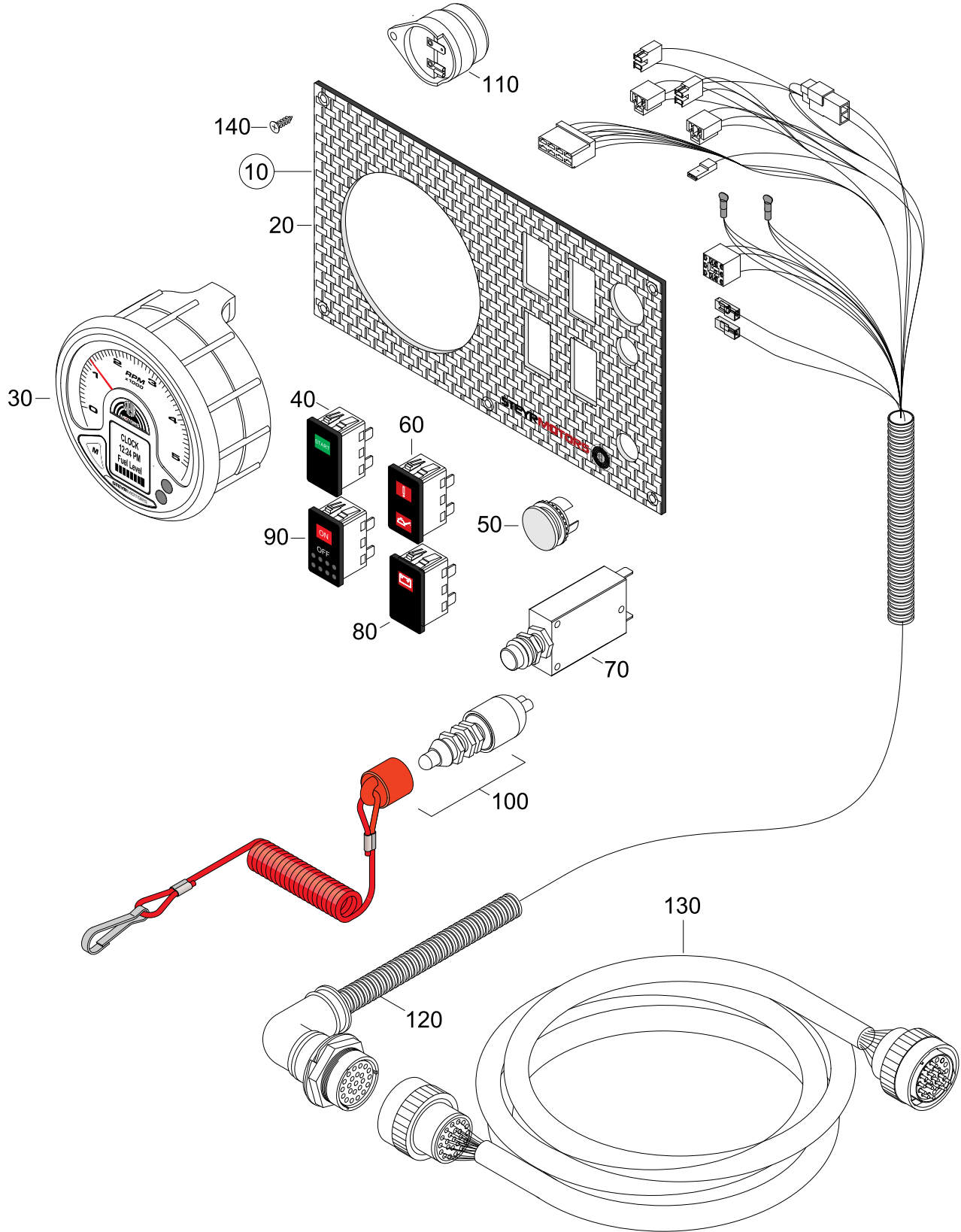
TA 0609



306 MARINE
H43WJ HIGH POWER
+ **SOLAS**

**INSTRUMENTPANEL SOLAS (STANDARD)
FROM 2010-->**

06092184-1





INSTRUMENTPANEL SOLAS (STANDARD) FROM 2010-->	306 MARINE H43WJ HIGH POWER + SOLAS
---	---

06092184-1

Pos.	Part.-No.	Qty	Designation	Step
10	2179964-0	1	INSTRUMENT PANEL ASSY. (LED) 12V SOLAS	.2
20	2179982-0	1	FRONT PLATE, INSTRUMENT PANEL - SOLAS	.3
30	2179971-0	1	REVOLUTIONCOUNTER	.3
40	Z002198-0	1	START SWITCH, GREEN	.3
50	2179320-0	1	BLIND PLUG, BLACK	.3
60	Z002196-0	1	WARNING LED, CHECK ENGINE & OIL PRESSURE	.3
70	Z002180-0	1	THERMO PROTECTION SWITCH ASSY.	.3
80	Z002197-0	1	WARNING LED, BATTERY CHARGE	.3
90	Z002199-0	1	IGNITION SWITCH	.3
100	2179978-0	1	EMERGENCY CUTOFF SWITCH	.3
110	2178760-1	1	HORN AUDIBLE WARNING	.3
120	2180074-0	1	CABLE ASSY. INSTRUMENT	.3
130	2206291-1	1	INTERMEDIATE CABLE 5m	.3
140	9000817-0	6	CR.REC.COUNT.SUNK HD.TPG.SCR. 3.5x16	.3





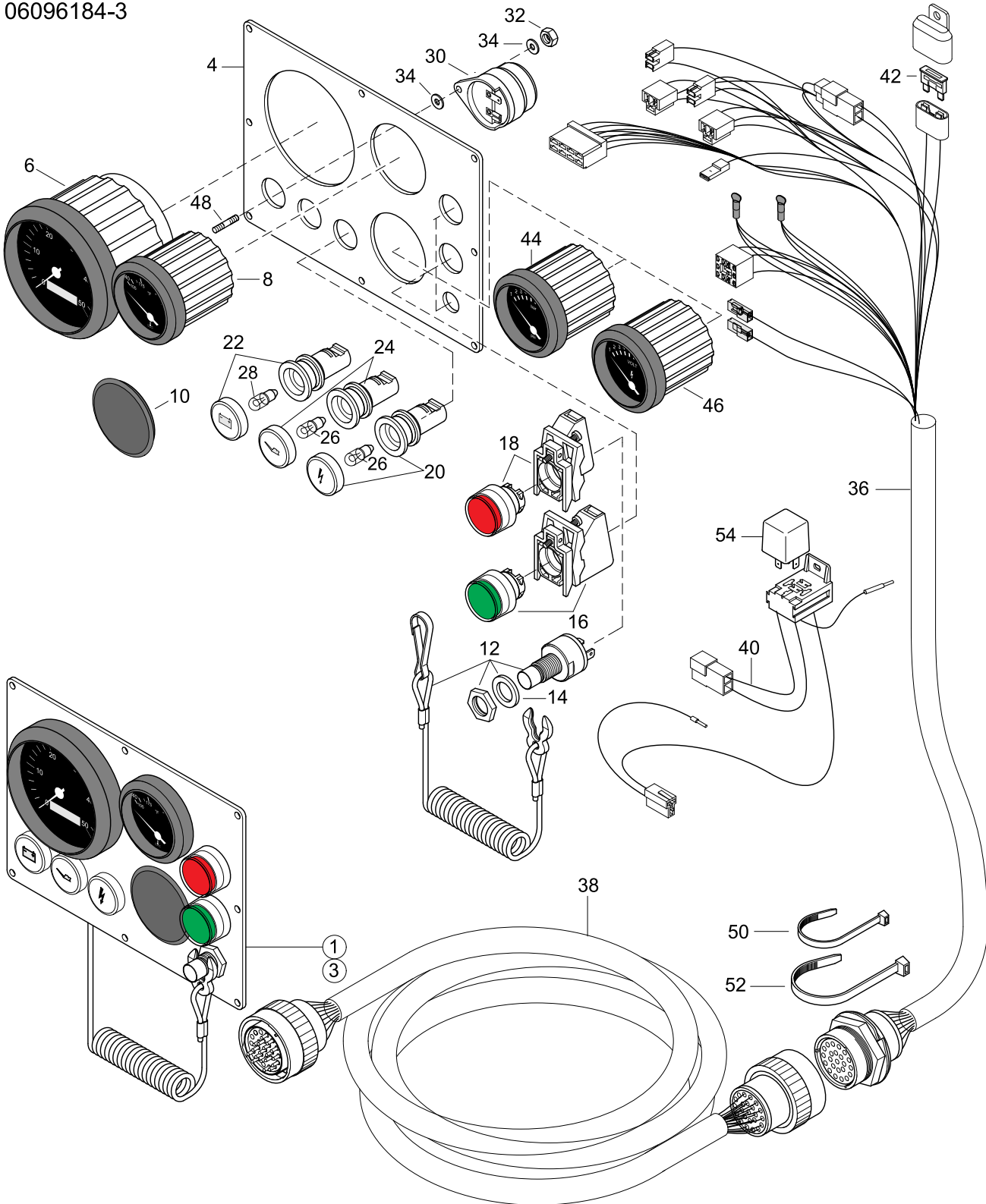
TA 0609



306 MARINE
H43WJ HIGH POWER
+ SOLAS

INSTRUMENTPANEL SOLAS 24V
TILL -->2010

06096184-3





**INSTRUMENTPANEL SOLAS 24V
TILL -->2010**



06096184-3

Pos.	Part.-No.	Qty	Designation	Step
1	Z021008-0	1	INSTR. PANEL ASSY. SOLAS 24V (FROM 2004—>2010)	.2
3	Z002631-0	1	INSTR. PANEL ASSY. SOLAS 24V (TILL —>2004)	.2
4	2178831-4	1	INSTRUMENT PANEL SOLAS	..3
6	2178756-3	1	REVOLU. & OPERA. HOUR COUNTER	..3
8	2178229-2	1	COOLANT TEMPERATURE GAUGE	..3
10	2178759-2	1	BLIND COVER	..3
12	Z002073-0	1	EMERGENCY CUTOFF SWITCH KIT	..3
14	2176170-0	1	O-RING 15x2	..3
16	2179294-0	1	SWITCH ASSY. START GREEN	..3
18	2179293-5	1	IGNITION SWITCH RED ASSY.	..3
20	2179290-0	1	WARNING-LIGHT CHECK ENGI. ASSY	..3
22	Z002115-0	1	WARNING-LIGHT BATTERY CHARGE ASSY. 12V & 24V	..3
24	2179292-0	1	WARNING-LIGHT ENGINE-OIL ASSY.	..3
26	2179162-0	3	MINIATUR LAMP 12V/2W 10x28	..3
28	2179141-0	1	MINIATUR LAMP 24V/3W 10x28	..3
30	2178760-1	1	HORN AUDIBLE WARNING	..3
32	3870051-0	2	HEX.NUT ISO 4032-M4-A2-70	..3
34	3930072-0	2	WASHER LARGE SERIES DIN 9021-4.3-A2	..3
36	Z002671-0	1	CABLE ASSY. INSTR. 1.5m SOLAS	..3
38	2206291-1	1	INTERMEDIATE CABLE 5m	..3
40	2179151-0	1	INTERMEDIATE CABLE CHARGE INDICATOR 24V	..3
42	11345	1	FUSE 10A, RED	..3
44	2178227-2	1	OIL PRESSURE GAUGE 10 BAR (ACCESSORY)	.2
46	2178231-1	1	VOLTMETER 12V (ACCESSORY)	.2
48	2206167-1	1	STUD	.2
50	3171034-0	1	TIE STRAP N 05199-A4,5x160	.2
52	3171392-0	1	TIE STRAP N 05199-B7,8x368	.2





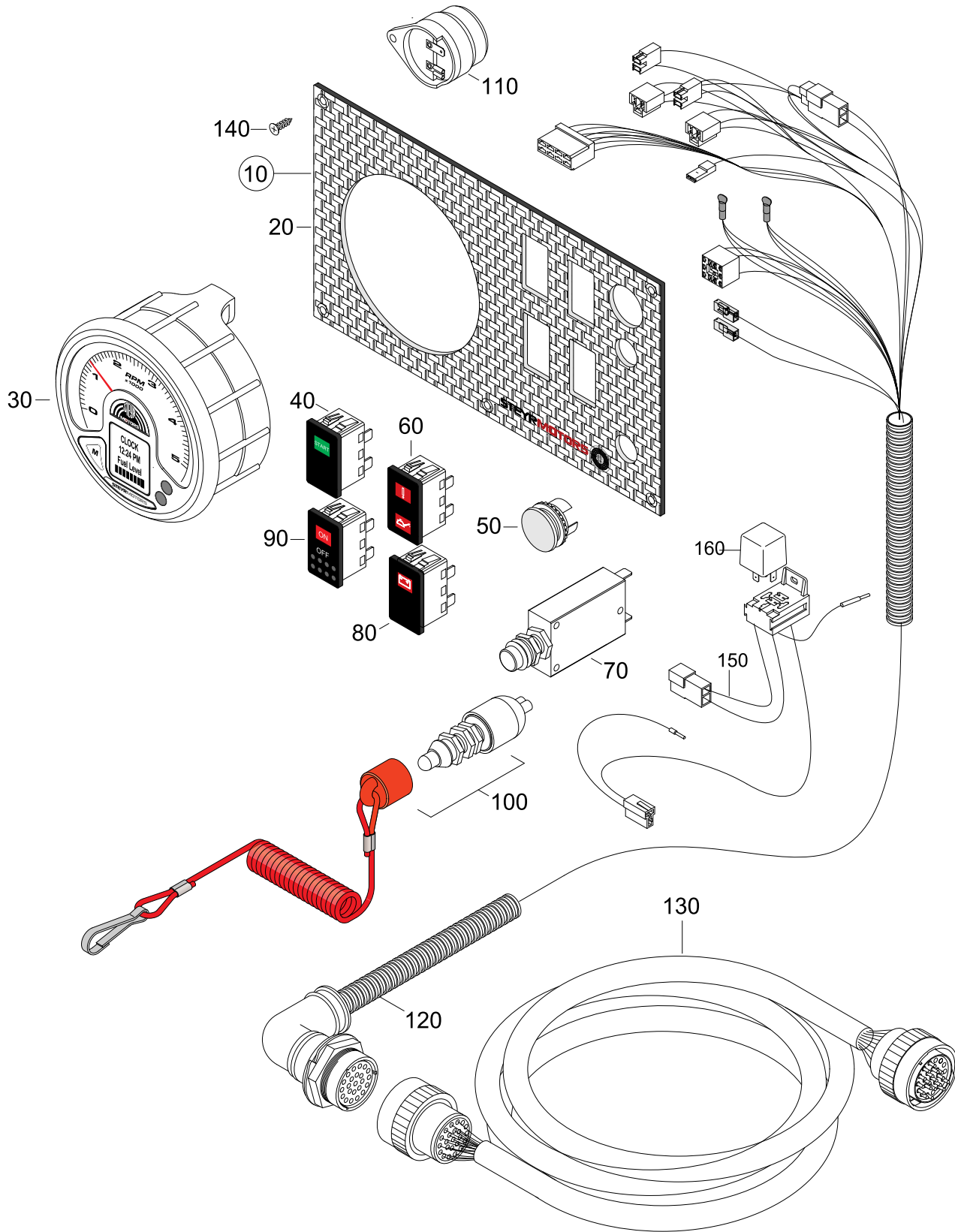
TA 0609



306 MARINE
H43WJ HIGH POWER
+ **SOLAS**

INSTRUMENTPANEL SOLAS 24V
FROM 2010-->

06092184-2





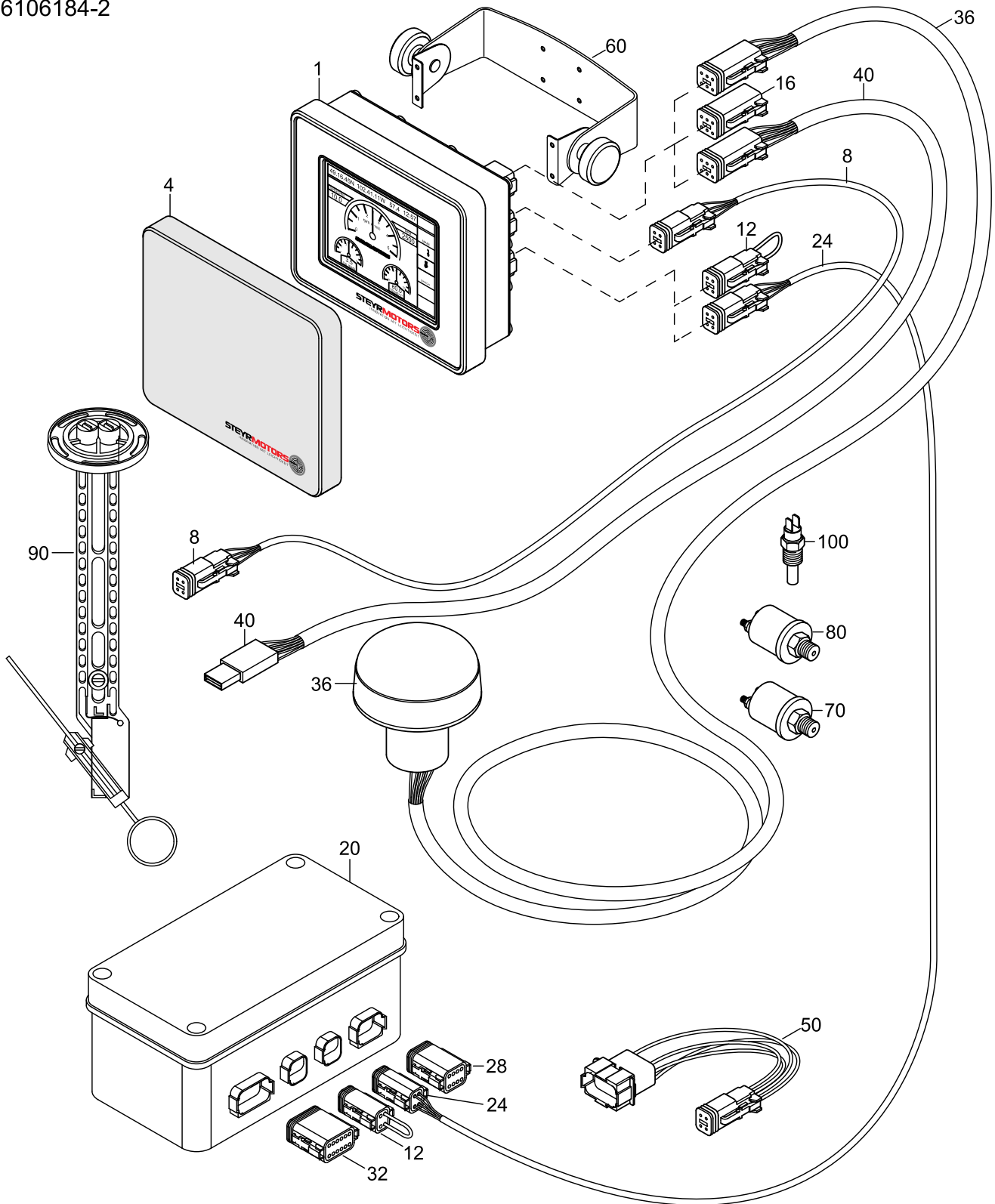
TA 0610



306 MARINE
H43WJ HIGH POWER
+ SOLAS

**SCC-DISPLAY
(ACCESSORY)**

06106184-2





SCC-DISPLAY (ACCESSORY)	306 MARINE H43WJ HIGH POWER + SOLAS
------------------------------------	---

06106184-2

Pos.	Part.-No.	Qty	Designation	Step
1	Z002132-0	1	STEYR CONTROL CENTER (SPARE PART)	.2
4	2179637-0	1	PROTECTIVE COVERING - SCC	.3
8	2206313-0	1	CONNECTING CABLE SCC->PANEL (4-POLE)	.3
12	2206314-0	1	CONNECTOR CAN-TERMINATOR (4-POLE)	.3
16	2179638-0	1	DUMMY PLUG 6-POLE	.3
20	2179156-2	1	I/O BOX	.2
24	2206315-0	1	CONNECTING CABLE I/O BOX -> SCC (4-POLE)	.3
28	2179639-0	1	DUMMY PLUG 8-POLE	.3
32	2179640-0	1	DUMMY PLUG 12-POLE	.3
36	2179641-0	1	GPS-SENSOR ASSY	.2
40	2179607-0	1	SCC CONFIGURATIONS CABLE 1,8m USB 2.0	.2
50	2179636-0	1	ADAPTER CABLE SPORTLINE TO SCC (8-POLE TO 4-POLE)	.2
60	Z002177-0	1	KIT MOUNTING BRACHETS F. SCC	.2
70	Z002640-0	1	OIL PRESSURE SENSOR 2-POLE (ACCESSORY)	.2
80	2179519-0	1	OIL PRESSURE SENSOR ZF-GEARBOX	.2
90	2179331-0	1	FUEL TANK SENSOR	.2
100	2179520-0	1	TEMPERATURE SENSOR, GEARBOX OIL	.2



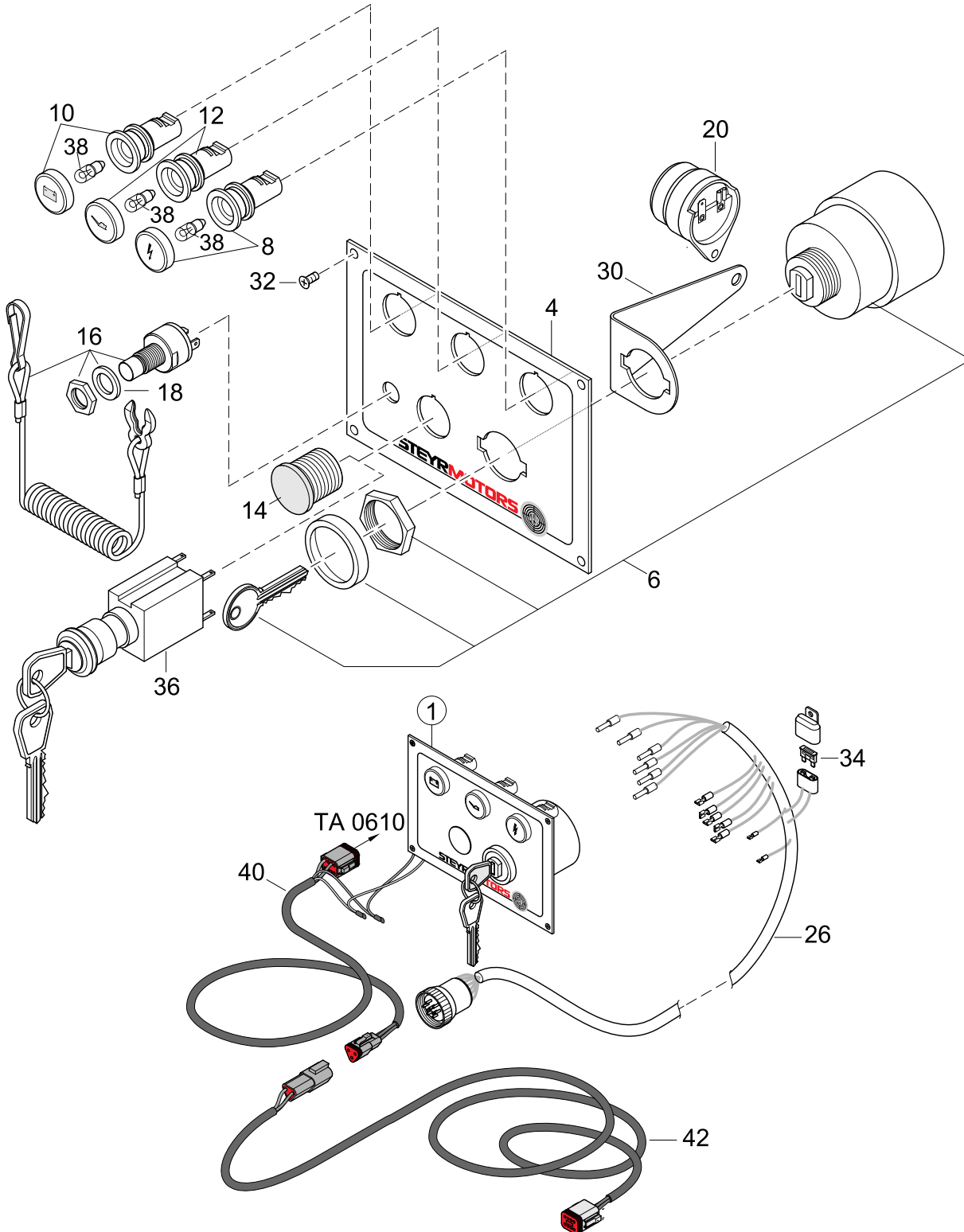


TA 0611

306 MARINE
H43WJ HIGH POWER
+ SOLAS

**SWITCH PANEL FOR DISPLAY
TILL -->2010**

06116184-2



SWITCH PANEL FOR DISPLAY TILL -->2010	306 MARINE H43WJ HIGH POWER + SOLAS
---	---

06116184-2

Pos.	Part.-No.	Qty	Designation	Step
1	Z002123-0	1	SWITCH PANEL ASSY. (ALTERN. ISKRA)	.2
4	2179134-1	1	INSTRUMENT PANEL	..3
6	2178761-4	1	GLOW-START SWITCH ASSY.(SPARE)	..3
8	2179290-0	1	WARNING-LIGHT CHECK ENGI. ASSY	..3
10	2179291-0	1	WARNING-LIGHT BATTERY CHARGE ASSY. 12V	..3
12	2179292-0	1	WARNING-LIGHT ENGINE-OIL ASSY.	..3
14	2179320-0	1	BLIND PLUG, BLACK	..3
16	Z002073-0	1	EMERGENCY CUTOFF SWITCH KIT	..3
18	2176170-0	1	O-RING 15 x 2	..3
20	2178760-1	1	HORN AUDIBLE WARNING	..3
26	Z002669-0	1	CABLE ASSY. INSTRUMENT 7m (CONDUCTOR SLEEVE) SPARE PART	..3
30	2179173-0	1	SHACKLE STRAIN RELIEF, PANEL	..3
32	9000192-0	4	CR.REC.COUNT.SUNK HD.TPG.SCR.ISO7050-ST3.5x16	..3
34	11345	1	FUSE 10A, RED	..3
36	2178761-2	1	KEY-SWITCH CONSTANT REVOLUTION (ACCESSORY)	..3
38	2179162-0	3	MINIATUR LAMP 12V/2W 10x28	..3
40	Z002131-0	1	CONNECTING CABLE-CANBUS (SPARE) WITH CONNECTOR	.2
42	2179150-1	1	INTERMEDIATE CABLE - CANBUS WITH CONNECTOR	.2





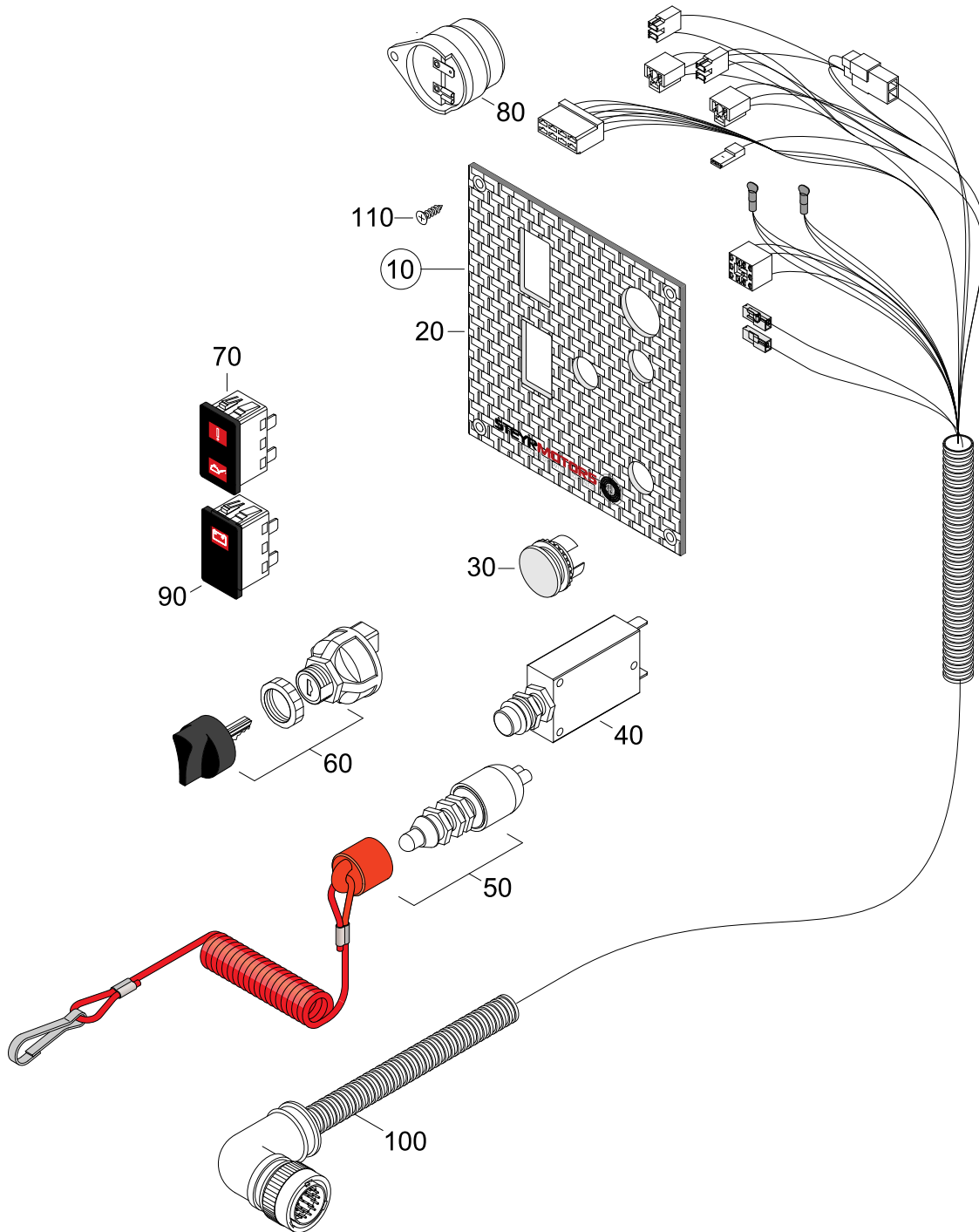
TA 0611



306 MARINE
H43WJ HIGH POWER
+ **SOLAS**

**SWITCH PANEL FOR DISPLAY
FROM 2010-->**

06112184-1





**SWITCH PANEL FOR DISPLAY
FROM 2010-->**

306 MARINE
H43WJ HIGH POWER
+ SOLAS

06112184-1

Pos.	Part.-No.	Qty	Designation	Step
10	2179966-0	1	SWITCH PANEL ASSY. (LED) (FOR SCC-DISPLAY)	.2
20	2179983-0	1	FRONT PLATE, SWITCH PANEL	.3
30	2179320-0	1	BLIND PLUG, BLACK	.3
40	Z002180-0	1	THERMO PROTECTION SWITCH ASSY.	.3
50	2179978-0	1	EMERGENCY CUTOFF SWITCH	.3
60	2179975-0	1	GLOW-START SWITCH	.3
70	Z002196-0	1	WARNING LED, CHECK ENGINE & OIL PRESSURE	.3
80	2178760-1	1	HORN AUDIBLE WARNING	.3
90	Z002197-0	1	WARNING LED, BATTERY CHARGE	.3
100	2180076-0	1	CABLE ASSY. SWITCH PANEL	.3
110	9000817-0	4	CR.REC.COUNT.SUNK HD.TPG.SCR. 3.5x16	.3





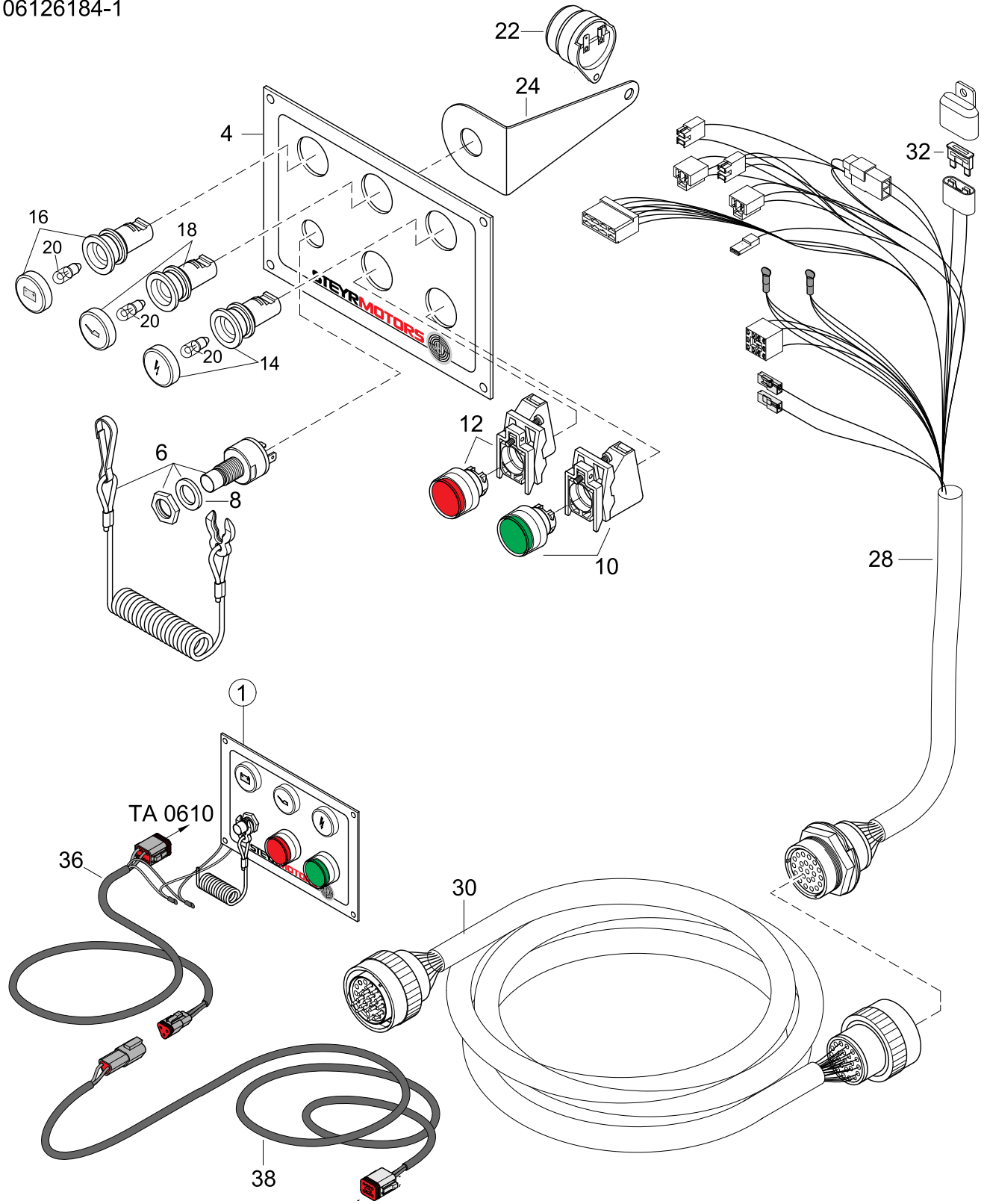
TA 0612



306 MARINE
H43WJ HIGH POWER
+ SOLAS

**PUSH BUTTON PANEL SOLAS FOR DISPLAY
TILL -->2010**

06126184-1





**PUSH BUTTON PANEL SOLAS FOR DISPLAY
TILL -->2010**

306 MARINE
H43WJ HIGH POWER
+ SOLAS

06126184-1

Pos.	Part.-No.	Qty	Designation	Step
1	Z002124-0	1	PUSH BUTTON PANEL ASSY. SOLAS (ALTERN. ISKRA)	.2
4	2179135-1	1	BASE PLATE INSTRUMENT PANEL SOLAS	..3
6	Z002073-0	1	EMERGENCY CUTOFF SWITCH KIT	..3
8	2176170-0	1	O-RING 15 x 2	..3
10	2179294-0	1	SWITCH ASSY. START GREEN	..3
12	2179293-0	1	IGNITION SWITCH RED ASSY.	..3
14	2179290-0	1	WARNING-LIGHT CHECK ENGI. ASSY	..3
16	2179291-0	1	WARNING-LIGHT BATTERY CHARGE ASSY. 12V	..3
18	2179292-0	1	WARNING-LIGHT ENGINE-OIL ASSY.	..3
20	2179162-0	1	MINIATUR LAMP 12V/2W 10x28	..3
22	2178760-1	1	HORN AUDIBLE WARNING	..3
24	2179173-1	1	SHACKLE STRAIN RELIEF, PANEL	..3
28	Z002671-0	1	CABLE ASSY. INSTR. 1.5m SOLAS (SPARE PART)	..3
30	2206291-1	1	INTERMEDIATE CABLE 5m SAME 23-WAY CON.	..3
32	11345	1	FUSE 10A, RED	..3
36	Z002131-0	1	CONNECTING CABLE-CANBUS(SPARE) WITH CONNECTOR	.2
38	2179150-1	1	INTERMEDIATE CABLE - CANBUS WITH CONNECTOR	.2





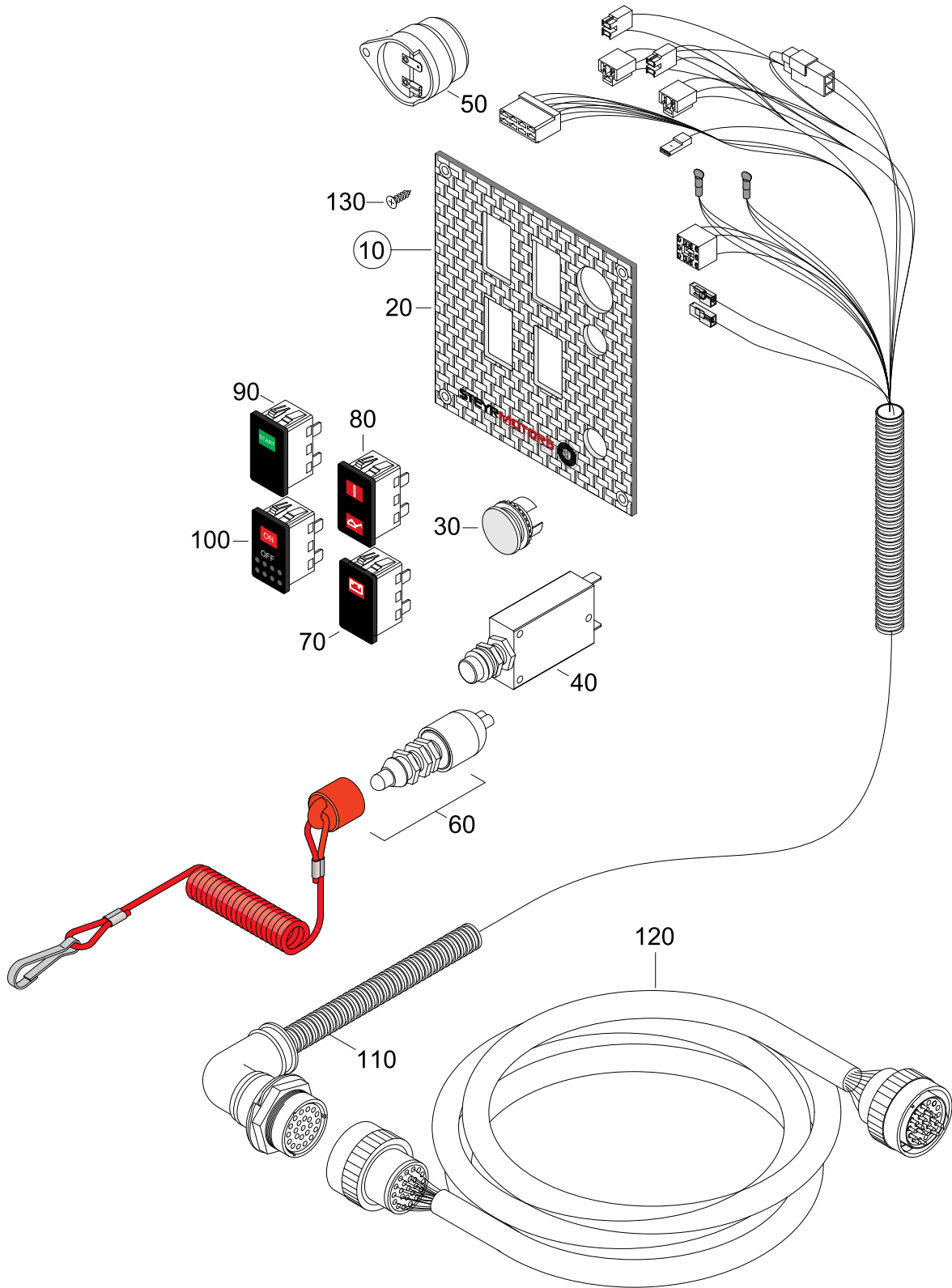
TA 0612



306 MARINE
H43WJ HIGH POWER
+ **SOLAS**

**PUSH BUTTON PANEL SOLAS FOR DISPLAY
FROM 2010-->**

06122184-1





TA 0613

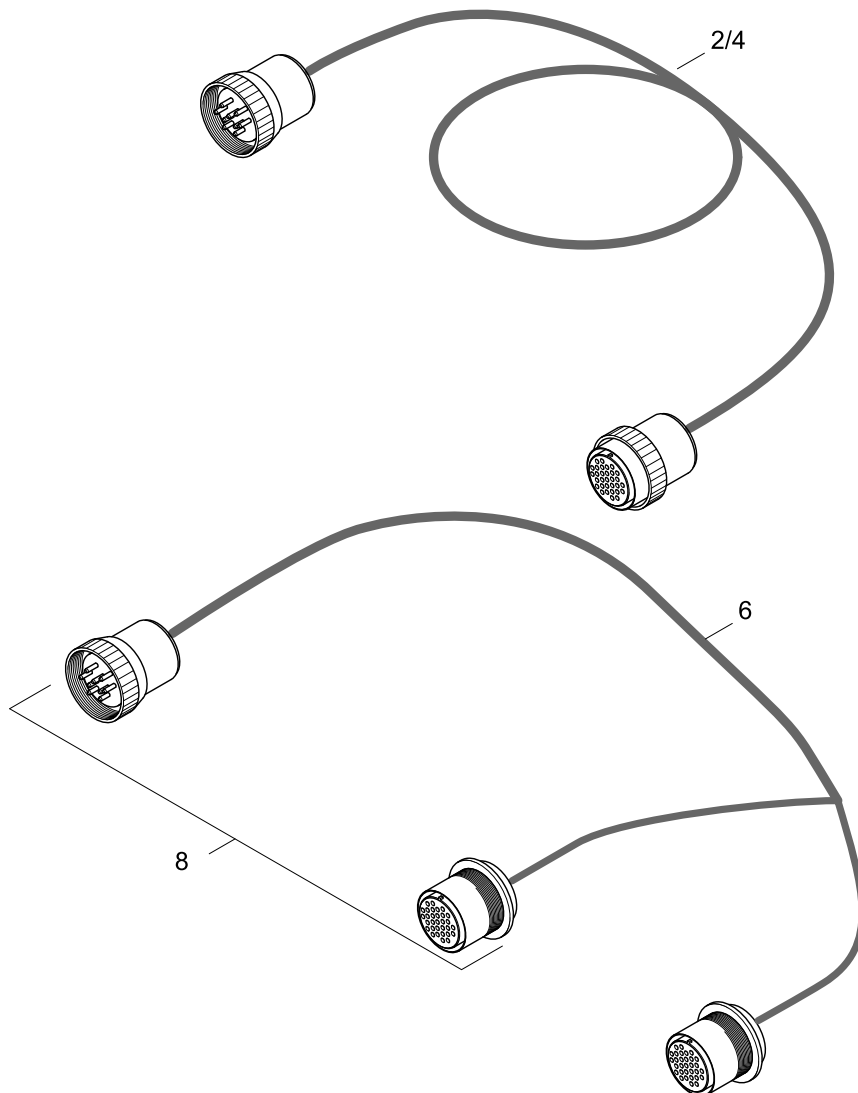


306 MARINE
H43WJ HIGH POWER
+ **SOLAS**

**EXTENSION CABLE INSTRUMENTS
(ACCESSORY)**

06136184-0

NOTE: NOT COMPATIBLE WITH "SOLAS" INSTRUMENT PANEL



**EXTENSION CABLE INSTRUMENTS
(ACCESSORY)**

306 MARINE
H43WJ HIGH POWER
+ SOLAS

06136184-0

Pos.	Part.-No.	Qty	Designation	Step
2	2206291-0	1	EXTENSION CABLE 6,3m 23-WAY CON.	.2
4	2206291-2	1	EXTENSION CABLE 10m 23 WAY CON.	.2
6	2206292-0	1	Y-JUNCTION CABLE 1m 23-WAY CON.	.2
8	Z002410-0	1	CABLE-PLUG PAIR COMPL. 23-POLE	.2
<div data-bbox="217 819 1461 958"> <p>NOTE: NOT COMPATIBLE WITH "SOLAS" INSTRUMENT PANEL</p> </div>				





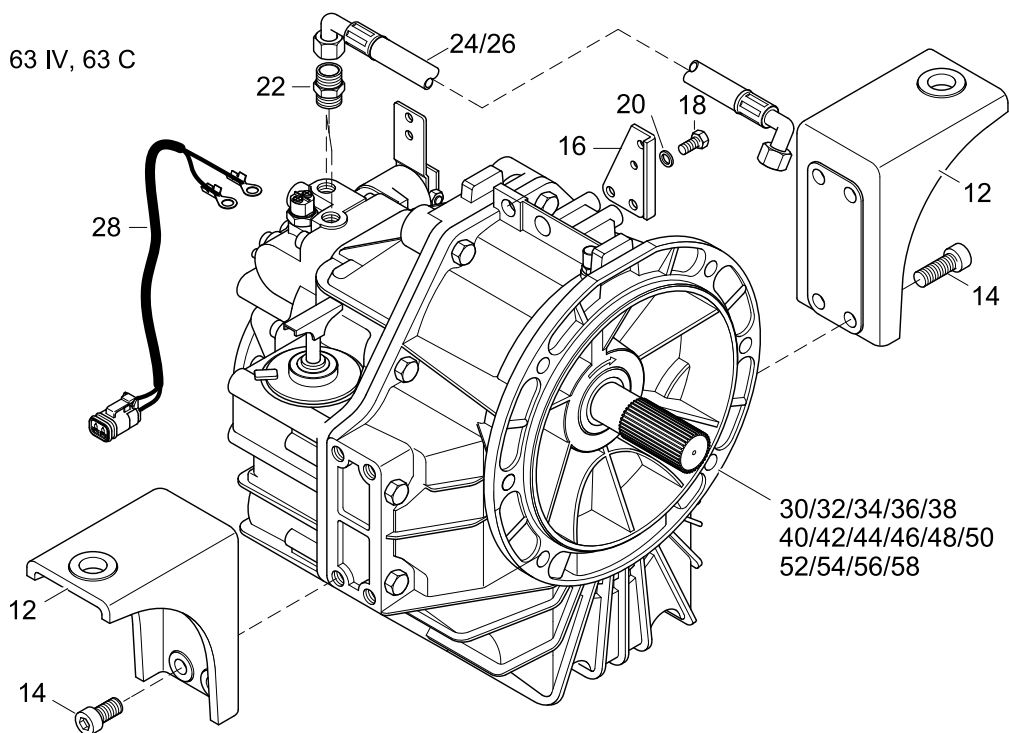
TA 0700

306 MARINE
H43WJ HIGH POWER
+ **SOLAS**

TRANSMISS., MOUNTING BRACKETS, PIPES

07006184-0

ZF 63, 63A, 63 IV, 63 C





TRANSMISS., MOUNTING BRACKETS, PIPES

306 MARINE
H43WJ HIGH POWER
+ SOLAS

07006184-0

Pos.	Part.-No.	Qty	Designation	Step
12	2178710-V	2	BRACKET GEAR-BOX DOWN ANGLE	.2
14	9000081-0	8	HEX.SOCK.HD.CAP SCR. DIN 912-M12x35-8.8-A3C	.2
16	2178711-9	1	BRACKET SHIFT CABLE PAINTED	.2
18	3800224-0	2	HEX.HD.SCR. ISO 4017-M8x20-A2-70	.2
20	3930103-0	2	WASHER DIN 125-8.4-140HV-A2	.2
22	Z011655-0	2	THREADED SOCKET 3/8NPT-M18x1,5	.2
24	2178731-0	1	OIL HOSE L=690mm	.2
26	2178732-0	1	OIL HOSE L=825mm	.2
28	2178745-1	1	HARNESS GEAR-SWITCH	.2
30	2178651-5	1	GEARBOX ASSY. ZF 63 A I=1.56 (PAINTED)	.2
32	2178651-6	1	GEARBOX ASSY. ZF 63 A I=2.04 (PAINTED)	.2
34	2178651-7	1	GEARBOX ASSY. ZF 63 A I=2.52 (PAINTED)	.2
36	2178651-8	1	GEARBOX ASSY. ZF 63 A I=1.22 (PAINTED)	.2
38	2178651-9	1	GEARBOX ASSY. ZF 63 A I=2.70 (PAINTED)	.2
40	2178766-5	1	GEARBOX ASSY. ZF 63 I=1.51 (PAINTED)	.2
42	2178766-6	1	GEARBOX ASSY. ZF 63 I=2.48 (PAINTED)	.2
44	2178766-7	1	GEARBOX ASSY. ZF 63 I=2.78 (PAINTED)	.2
46	2178766-8	1	GEARBOX ASSY. ZF 63 I=1.93 (PAINTED)	.2
48	2178766-9	1	GEARBOX ASSY. ZF 63 I=1.25 (PAINTED)	.2
50	2178652-6	1	GEARBOX ASSY. ZF 63 IV I=2.00 (PAINTED)	.2
52	2178652-7	1	GEARBOX ASSY. ZF 63 IV I=2.48 (PAINTED)	.2
54	2178652-8	1	GEARBOX ASSY. ZF 63 IV I=1.29 (PAINTED)	.2
56	2178652-5	1	GEARBOX ASSY. ZF 63 IV I=1.56 (PAINTED)	.2
58	2179500-9	1	GEARBOX ASSY. ZF 63 C I=1 (PAINTED)	.2



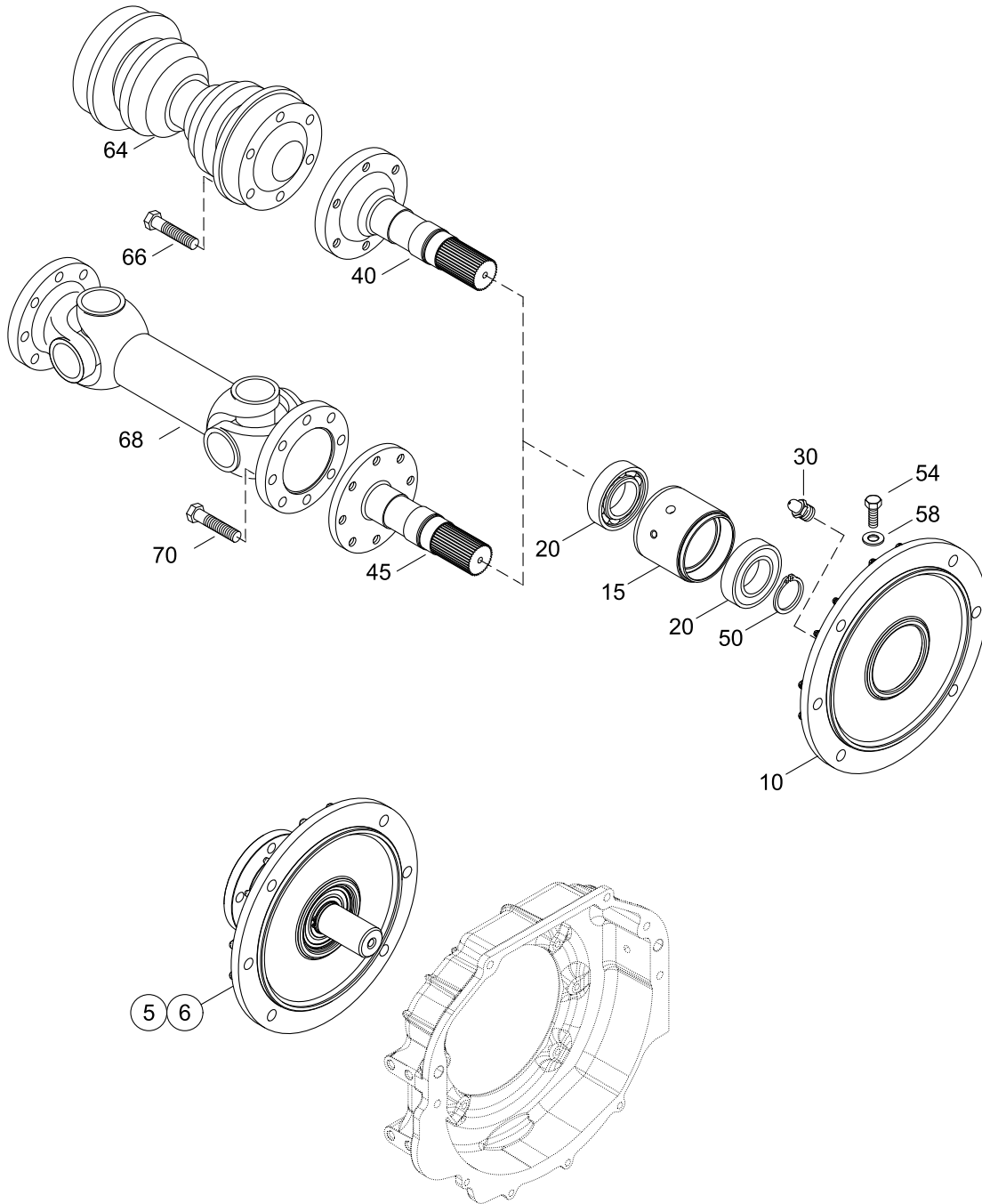


TA 0701

306 MARINE
H43WJ HIGH POWER
+ **SOLAS**

TRANSMISSION-SHAFT, PTO-SHAFT

07016184-0



ALU - HOUSING



<p>TRANSMISSION-SHAFT, PTO-SHAFT</p>	<p>306 MARINE <small>H43WJ HIGH POWER</small> + SOLAS</p>
---	---

07016184-0

Pos.	Part.-No.	Qty	Designation	Step
5	Z002098-0	1	ADAPTER SHAFT ASSY. - 6-HOLES (PAINTED)	.2
6	Z002099-0	1	ADAPTER SHAFT ASSY. - 8-HOLES (PAINTED)	.2
10	2178815-1	1	ADAPTER HOUSING JET (ALU CASTING)	.3
15	2179328-0	1	BEARING RETAINER	.3
20	3311181-0	2	DEEP GROOVE BALL BEARING DIN 625-RS1	.3
30	3963112-0	1	LUBRICATING NIPPLE, CONE DIN 71412-AM8x1-A3F	.3
40	2178814-0	1	ADAPTER SHAFT ENGINE-PROPULSION (6-HOLES)	.3
45	2178814-1	1	ADAPTER SHAFT ENGINE-PROPULSION (8-HOLES)	.3
50	3933251-0	1	RETAINING RING SHAFT DIN 471-35x1,5	.3
54	3802442-0	2	HEX.HD.SCR. ISO 4017-M8x40-8.8-A2C	.3
58	O125134-0	2	WASHER LARGE	.3
64	2178836-1	1	PROPELLER SHAFT SHORT L=210 +/-24mm	.2
66	9000198-0	6	HEX.HD.BOLT ISO 4014-M12x65-8.8-A3C	.2
68	2178836-0	1	SLIDING SHAFT LONG L=354mm +70	.2
70	3802515-0	8	HEX.HD.SCR. ISO 4017-M10x20-8.8-A3C	.2



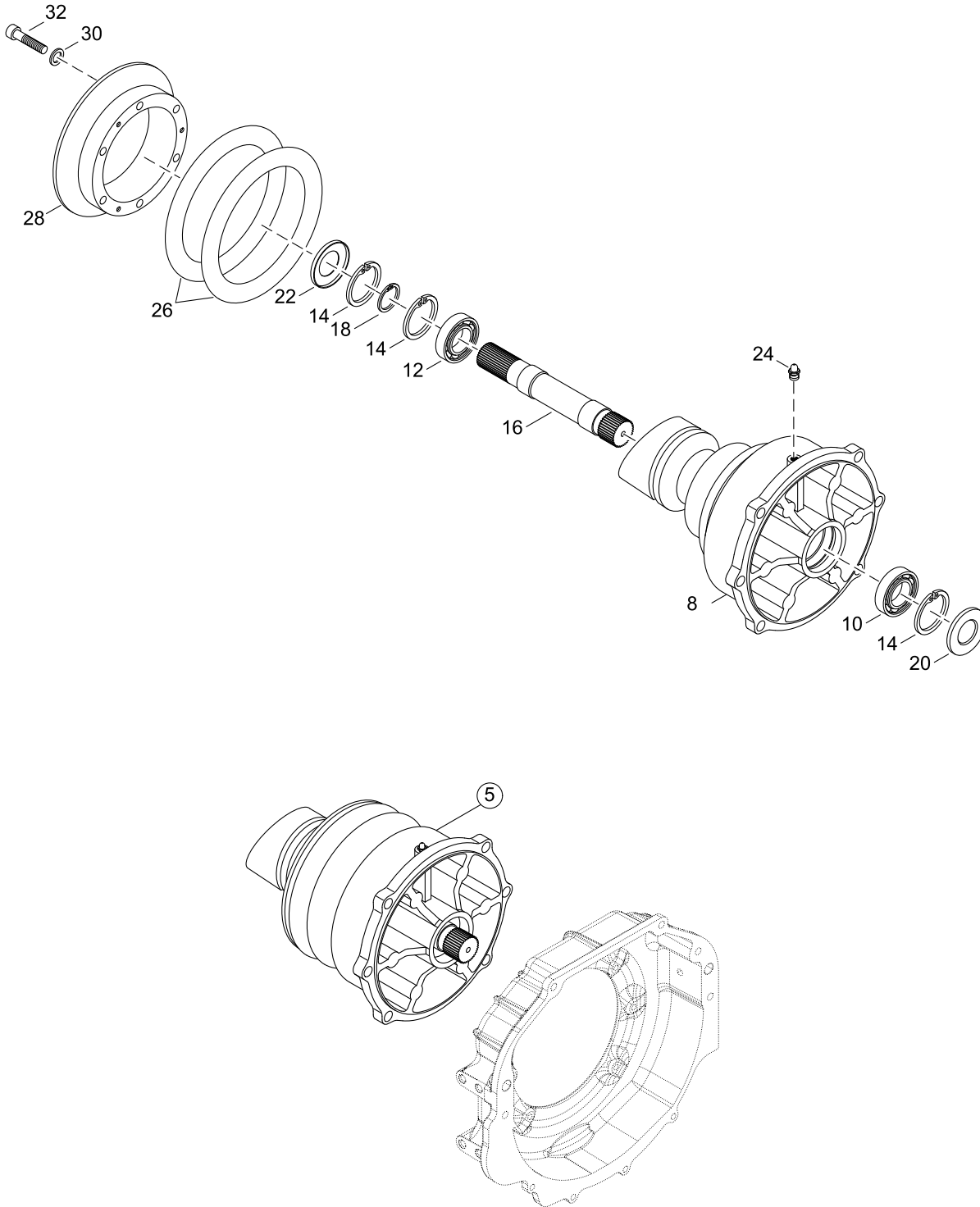


TA 0720

306 MARINE
H43WJ HIGH POWER
+ **SOLAS**

**DRIVE ADAPTOR VOLVO STERNDRIVE
(ACCESSORY)**

07206084-0



**DRIVE ADAPTOR VOLVO STERNDRIVE
(ACCESSORY)**

306 MARINE
H43WJ HIGH POWER
+ **SOLAS**

07206084-0

Pos.	Part.-No.	Qty	Designation	Step
5	2178819-0	1	ADAPTER VOLVO STERNDRIVE (PAINTED)	.2
8	2178817-0	1	ADAPTERHSG. VOLVO STERNDRIVE	.3
10	9000152-0	1	DEEP GROOVE BALL BEARING DIN 625-6007	.3
12	3311018-0	1	DEEP GROOVE BALL BEARING DIN 625-6206 RS1	.3
14	3934310-0	3	INTERIOR CIRCLIP DIN 472-62x2	.3
16	2178818-0	1	ADAPTER SHAFT VOLVO STERNDRIVE	.3
18	3933200-0	1	EXTERIOR CIRCLIP DIN 471-30x1.5	.3
20	9000153-0	1	RADIAL SEALING RING DIN 3760-35x62x7-AS	.3
22	9000153-1	1	RADIAL SEALING RING DIN 3760-35x62x7-A	.3
24	3963124-0	1	LUBRICATING NIPPLE, CONE DIN 71412-AM10x1-A3F	.3
26	2178821-0	2	O-RING 155 X 22	.3
28	2178820-0	1	FLANGE VOLVO STERN-DRIVE	.3
30	3930075-0	6	WASHER DIN 125 A10.5-140HV-A2	.3
32	9000185-1	6	HEX. SOCK. HD. CAP SCR. DIN 912-M10x100-A2-70	.3





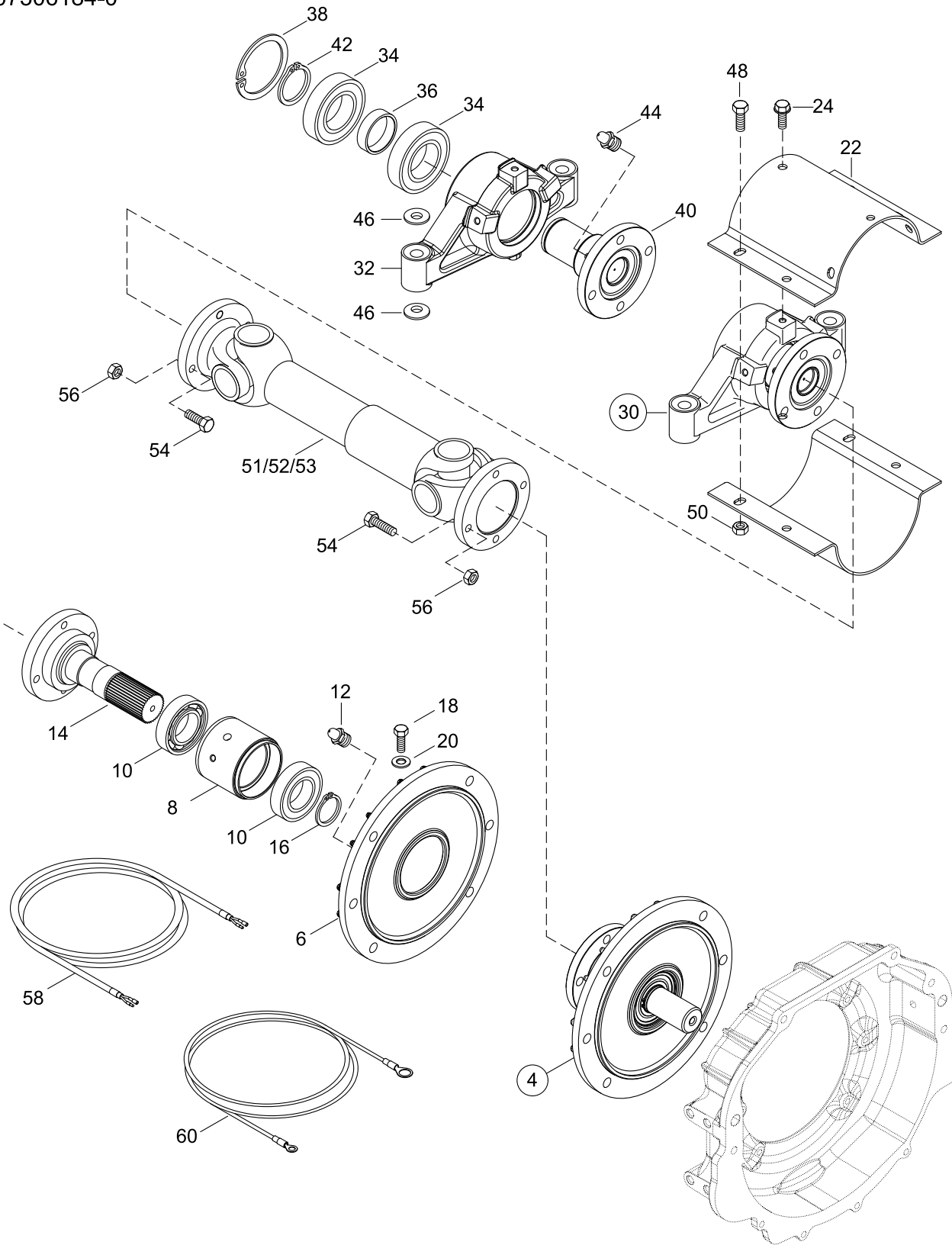
TA 0730



306 MARINE
H43WJ HIGH POWER
+ SOLAS

**DRIVE SHAFT EXT. MERCURY STERNDRIVE
(ACCESSORY)**

07306184-0





**DRIVE SHAFT EXT. MERCURY STERNDRIVE
(ACCESSORY)**

306 MARINE
H43WJ HIGH POWER
+ SOLAS

07306184-0

Pos.	Part.-No.	Qty	Designation	Step
4	Z002116-0	1	ADAPTER SHAFT ASSY. - MERCURY W.LENGTH BALANCE (PAINTED)	.2
6	Z002117-0	1	ADAPTER HOUSING - PAINTED (ALUCASTING)	..3
8	2179328-0	1	BEARING RETAINER	..3
10	3311181-0	2	DEEP GROOVE BALL BEARING DIN 625-RS1	..3
12	3963112-0	1	LUBRICATING NIPPLE, CONE DIN 71412-AM8x1-A3F	..3
14	2178814-2	1	ADAPTER SHAFT (MERCURY)	..3
16	3933251-0	1	RETAINING RING SHAFT DIN 471-35x1,5	..3
18	3802442-0	2	HEX.HD.SCR. ISO 4017-M8x40-8.8-A2C	..3
20	O125134-0	2	WASHER LARGE	..3
22	2179273-0	4	COVER PLATE	.2
24	9000305-0	6	HEX.FLANGE BOLT EN 1665-M8x20-10.9-DAC	.2
30	Z002118-0	1	BEARING BLOCK DRIVE SH. MERC. ASSY. (PAINTED)	.2
32	Z002119-0	1	BEARING BLOCK DRIVE SH. MERC. (PAINTED)	..3
34	9000486-0	2	DEEP GROOVE BALL BEARING DIN 625-6209 2RS1	..3
36	2179271-0	1	DISTANCE PLATE	..3
38	9000403-0	1	RETAINING RING BORE DIN 472-85x3	..3
40	Z002120-0	1	SHAFT-FLANGE DRIVE SHAFT MERC.	..3
42	3933350-0	1	RETAINING RING SHAFT DIN 471-45x1.75-BLANK	..3
44	3963112-0	1	LUBRICATING NIPPLE, CONE DIN 71412-AM8x1-A3F	..3
46	2179274-0	4	WASHER SPHERIC	.2
48	3802515-0	8	HEX.HD.SCR. ISO 4017-M10x20-8.8-A3C	.2
50	9000052-0	8	HEX.FLANGE NUT,PREVG.TOR. DIN 6927-M10-8-DAC A500	.2
51	Z002079-0	1	DRIVE SHAFT L=432mm & SCREWS	.2
52	Z002080-0	1	DRIVE SHAFT L=1000mm & SCREWS	.2
53	Z002081-0	1	DRIVE SHAFT L=1500mm & SCREWS	.2
54	9000066-0	8	HEX.HD.BOLT ISO 4017-M10x35-12.9	..3
56	9000052-0	8	HEX.FLANGE NUT,PREVG.TOR. DIN 6927-M10-8-DAC A500	..3
58	2179352-0	1	EXTENSION CABLE - TRIMSSENSOR 1,5m	.2
60	2179353-0	1	GROUND WIRE FLYW.HSG-TRANSOM 1,8m	.2



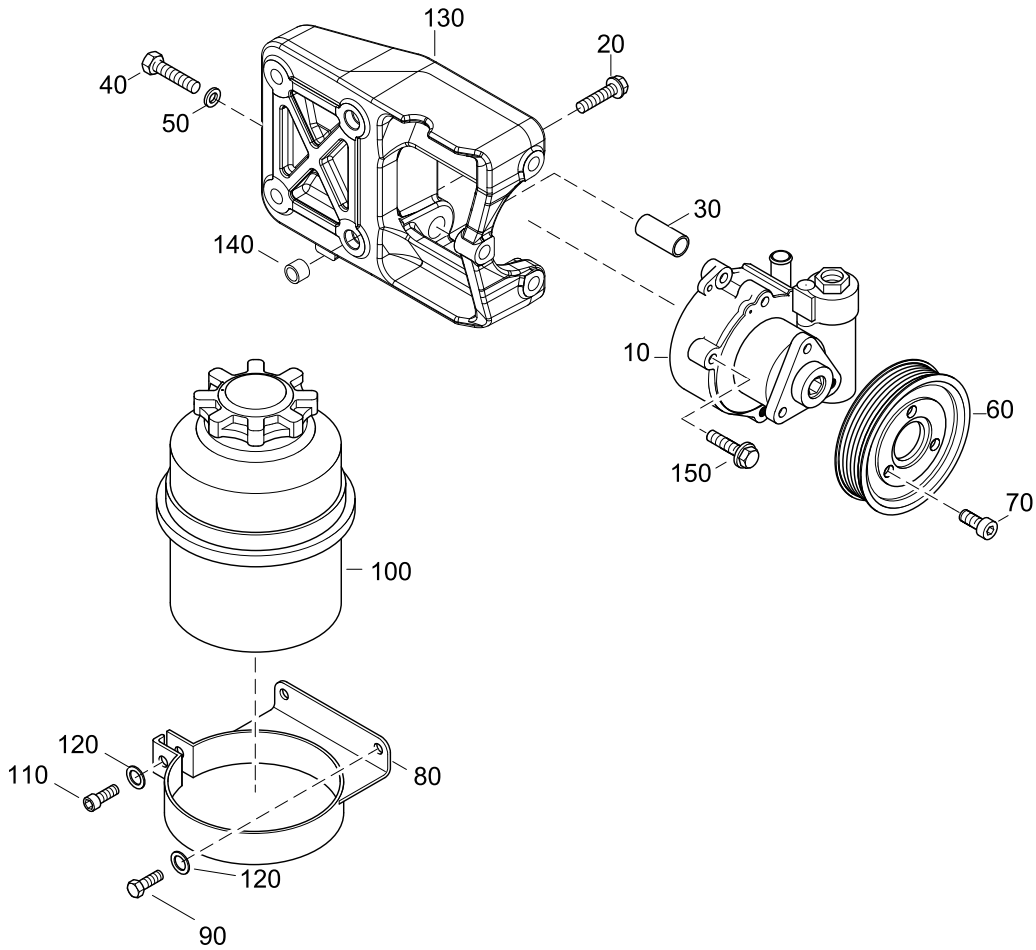


TA 1408

306 MARINE
H43WJ HIGH POWER
+ **SOLAS**

HYDRAULIC PUMP

14086184-2



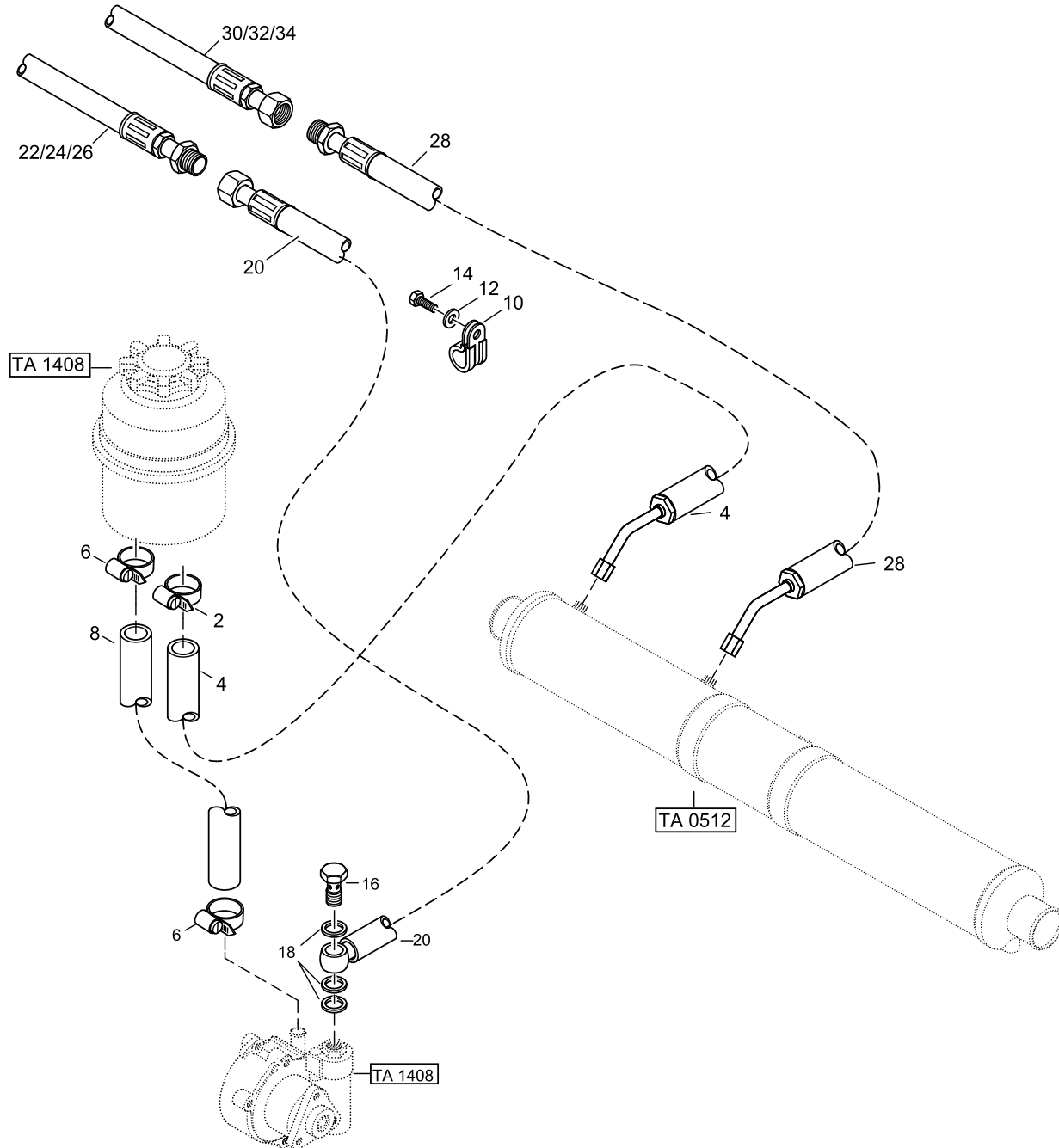


TA 1409

306 MARINE
H43WJ HIGH POWER
+ **SOLAS**

HYDRAULIC PIPES

14096184-1



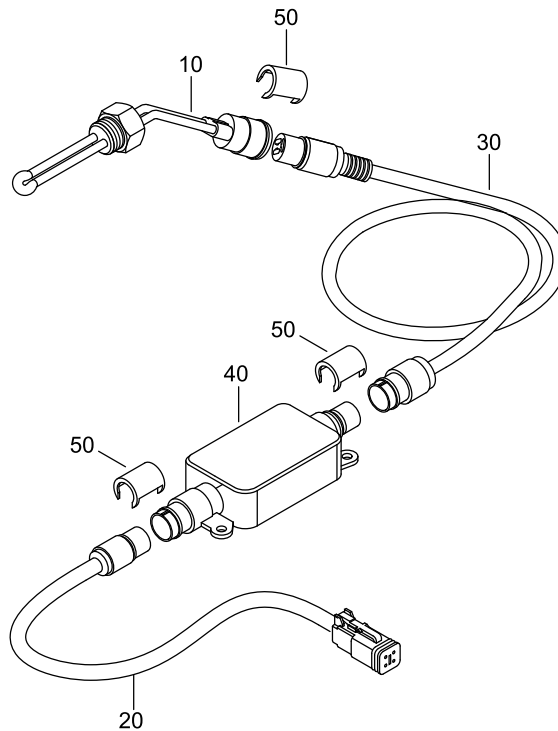
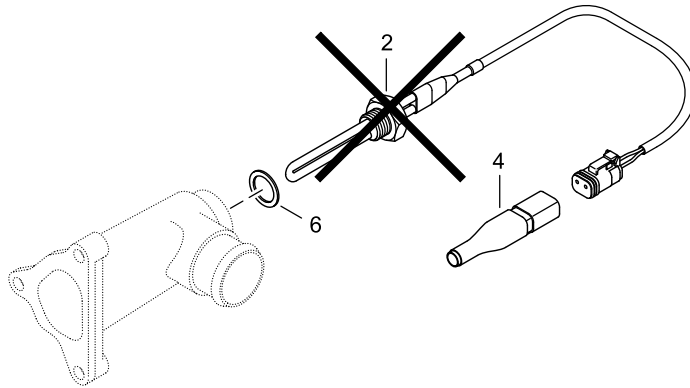


TA 2207

306 MARINE
H43WJ HIGH POWER
+ **SOLAS**

**ENGINE PREHEATING
(ACCESSORY)**

22076184-0





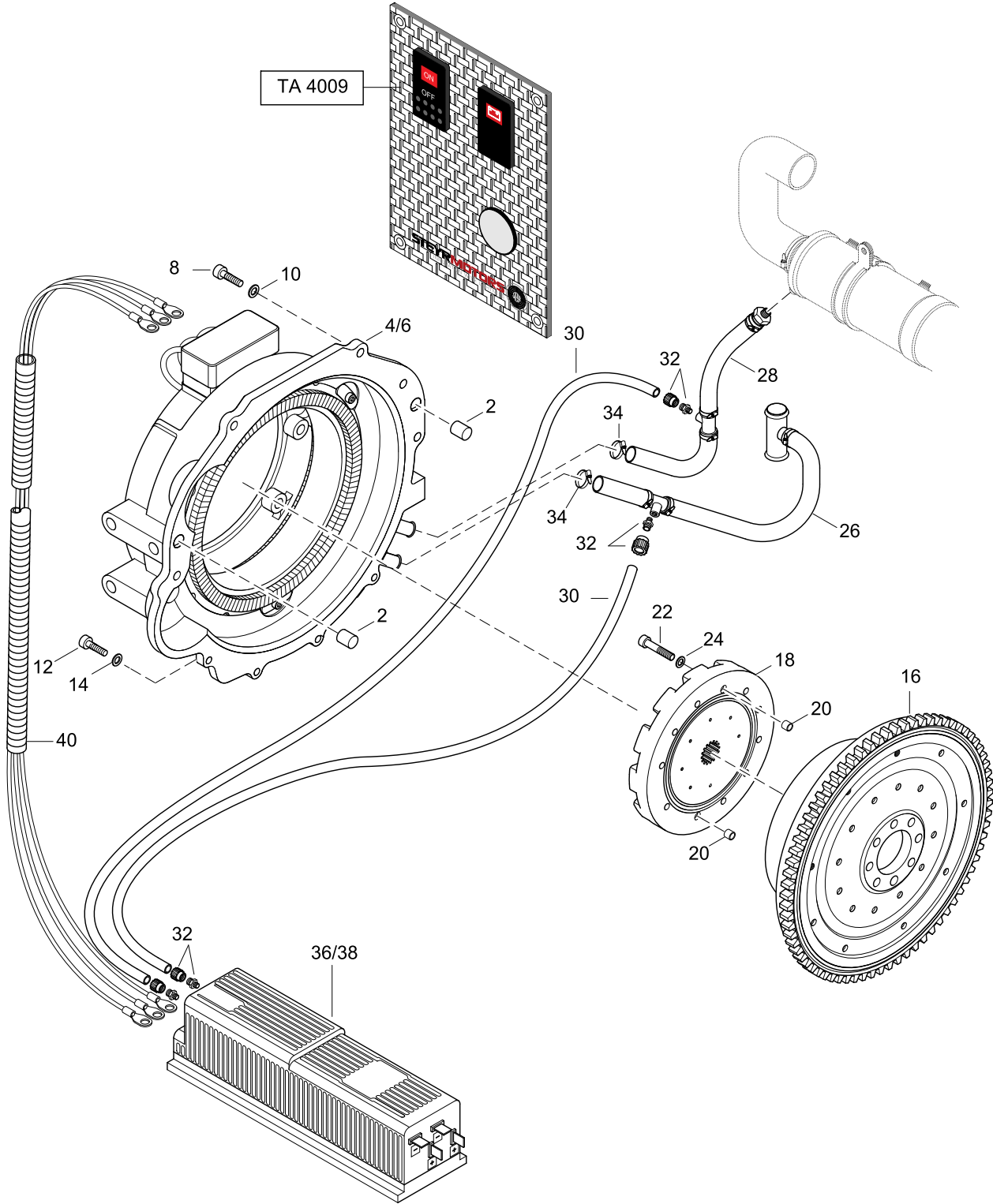
TA 4000



306 MARINE
H43WJ HIGH POWER
+ **SOLAS**

**INTEGR. FLYWHEELGENERATOR (IFG)
(ACCESSORY)**

40006184-0



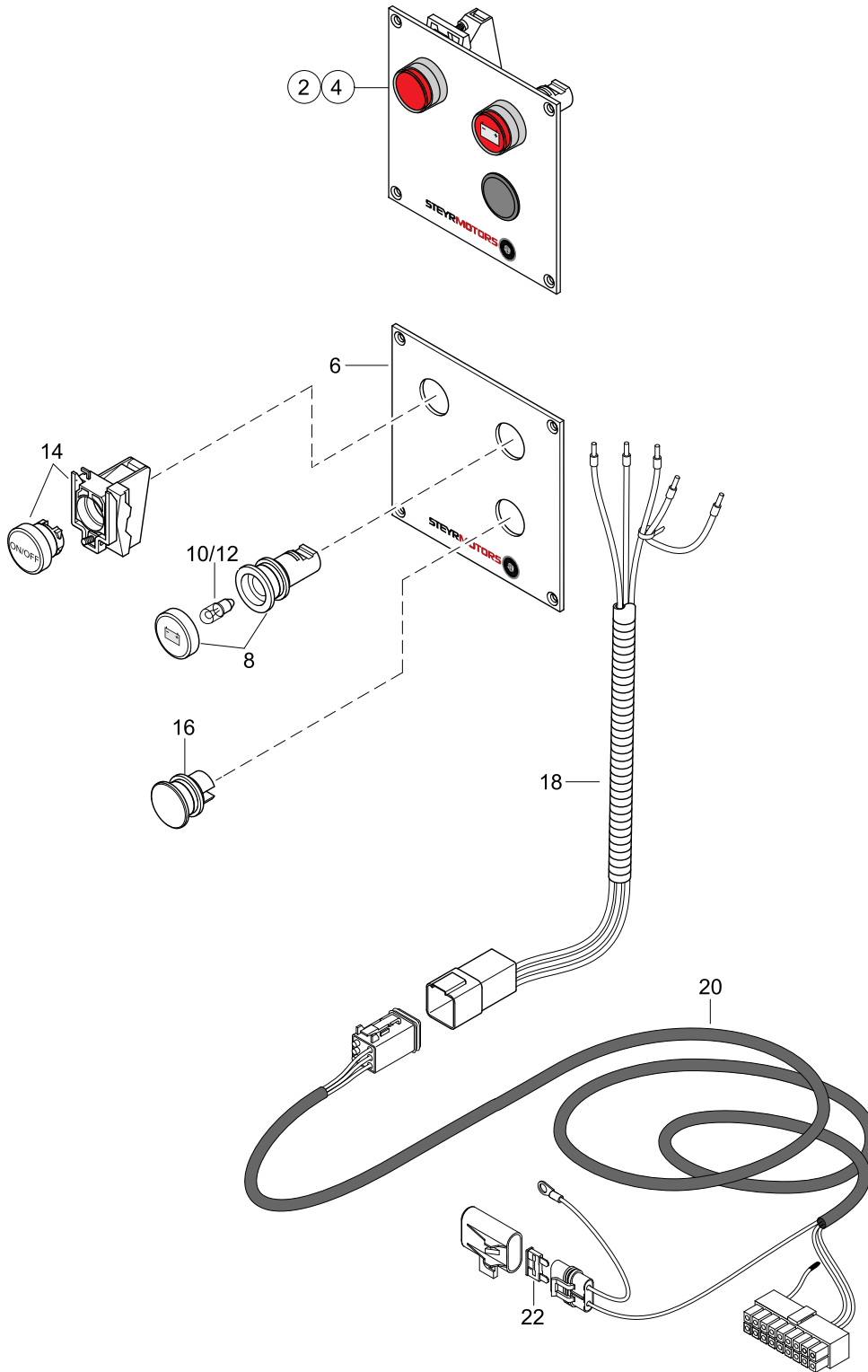


TA 4009

306 MARINE
H43WJ HIGH POWER
+ SOLAS

**PUSH BUTTON PANEL „IFG“
TILL -->2010**

40096184-0





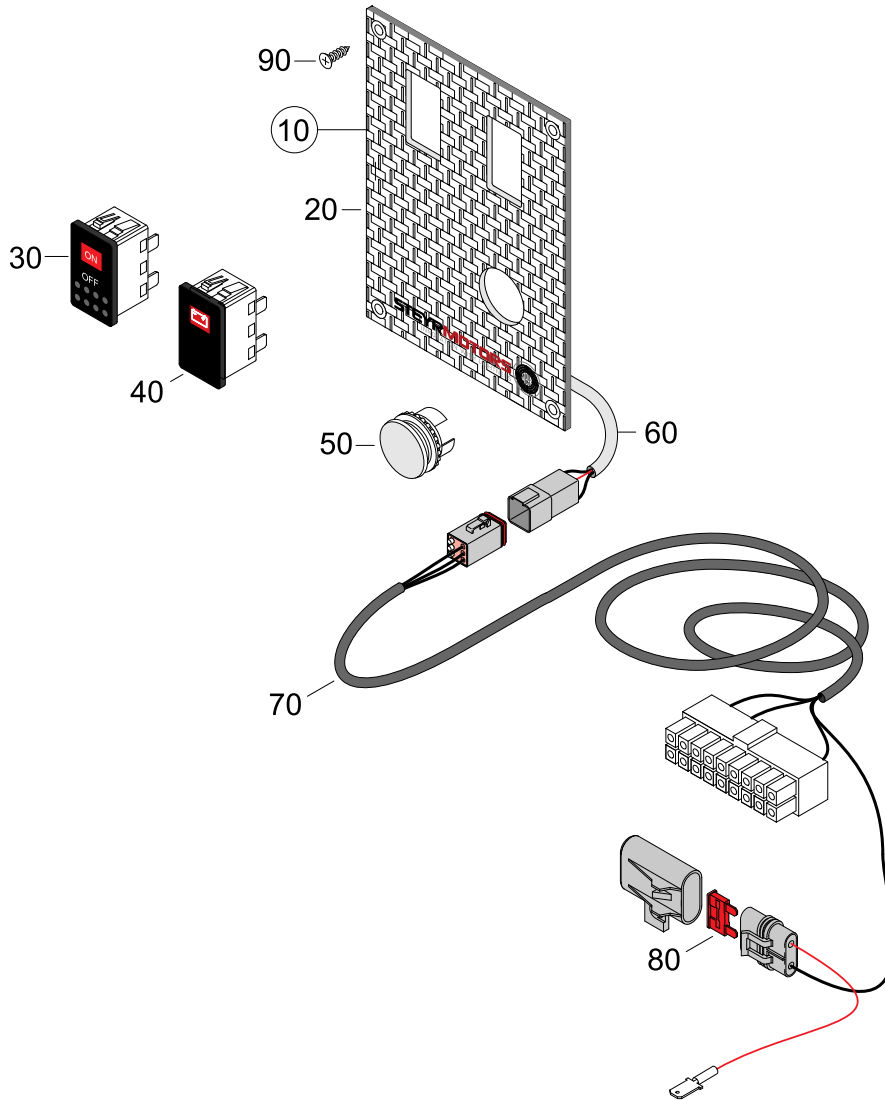
TA 4009



306 MARINE
H43WJ HIGH POWER
+ **SOLAS**

PUSH BUTTON PANEL „IFG“
FROM 2010-->

40096184-1



PUSH BUTTON PANEL „IFG“ FROM 2010-->	306 MARINE <small>H43WJ HIGH POWER</small> + SOLAS
--	--

40096184-1

Pos.	Part.-No.	Qty	Designation	Step
10	2179968-0	1	PUSH BUTTON PANEL IFG (LED)	.2
20	2180092-0	1	INSTRUMENT PANEL IFG	.3
30	Z002199-0	1	IGNITION SWITCH	.3
40	Z002197-0	1	WARNING LED, BATTERY CHARGE	.3
50	2179320-0	1	BLIND PLUG, BLACK	.3
60	2206298-0	1	WIRING HARNESS ASSY. IFG-PANEL	.3
70	2206299-0	1	CONNE. CABLE AY. 8m IFG-PANEL	.3
80	11345	1	FUSE 10A, RED	.3
90	9000817-0	4	CR.REC.COUNT.SUNKHD.TPG.SCR. 3.5x16	.3



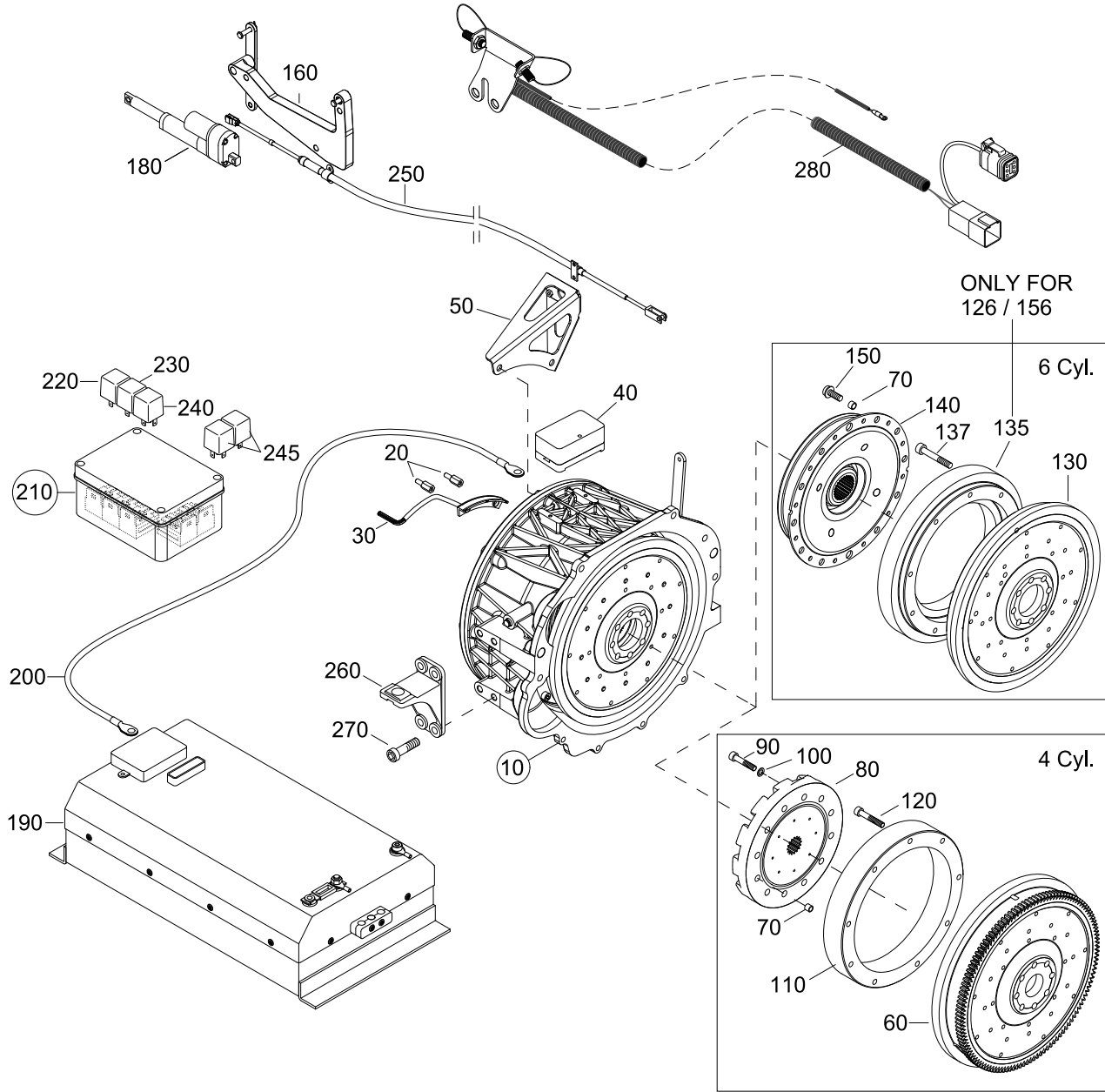


TA 4100

306 MARINE
H43WJ HIGH POWER
+ **SOLAS**

HYBRID

41006184-0



HYBRID	306 MARINE H43WJ HIGH POWER + SOLAS
---------------	---

41006184-0

Pos.	Part.-No.	Qty	Designation	Step
10	Z002171-0	1	ELECTRIC MOTOR ASSY.	.2
20	2179623-1	2	DISTANCE BOLT	..3
30	Z002173-0	1	HALL SENSOR ASSY.	..3
40	2179758-0	1	CONNECTION PLATE	..3
50	2180122-0	1	GEAR SHIFT BRACKET	..3
60	2203870-0	1	FLYWHEEL ASSY. RW	.2
70	2203543-0	2	FITTING SLEEVE	.2
80	Z002106-0	1	S.P. COUPLER	.2
90	9000520-0	12	HEX.SOCK.HD.CAP SCR. ISO 4762-M8x50-10.9-DAC	.2
100	3930103-0	12	WASHER DIN 125-8.4-140HV-A2	.2
110	2180415-0	1	FLYWHEEL MASS	.2
120	3862462-0	9	HEX.SOCK.HD.CAP SCR. DIN 912-M8x60-8.8-A2C	.2
130	2177734-N	1	FLYWHEEL ASSY. RW	.2
135	2180522-0	1	FLYWHEEL MASS	.2
137	3862452-0	9	HEX.SOCK.HD.CAP SCR. DIN 912-M8x50-8.8-A2C	.2
140	Z026060-0	1	S.P. COUPLER	.2
150	9000685-0	12	LOCKING SCREW-M8x16-10.9	.2
160	2179739-1	1	CONTROL BRACKET ASSY.	.2
180	Z002174-0	1	CONTROL MOTOR, CLUTCH	.2
190	Z002195-0	1	ELECTR.CONTROL SYSTEM	.2
200	Z021009-0	3	CONNECTING CABLE	.2
210	Z002175-0	1	RELAIS BOX ASSY.	.2
220	2179961-0	1	PROGRAMMED RELAIS, A12	..3
230	2179960-0	1	PROGRAMMED RELAIS, A11	..3
240	2179959-0	1	PROGRAMMED RELAIS, A10	..3
245	9000183-0	2	RELAY 12V 40A	..3
250	Z002178-0	1	GEAR SHIFT CABLE ASSY.	.2
260	2178722-1	2	BRACKET FLYWHEEL HOUSING	.2
270	9000081-0	8	HEX.SOCK.HD.CAP SCR. DIN 912-M12x35-8.8-A3C	.2
280	Z026154-0	1	POSITION SENSORS ASSY. (SPARE PART)	.2



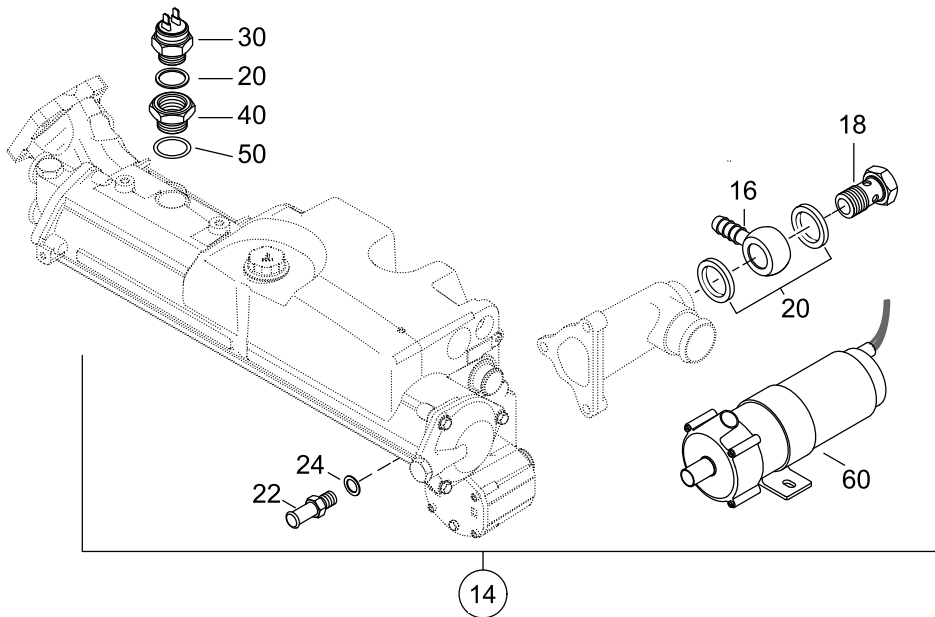
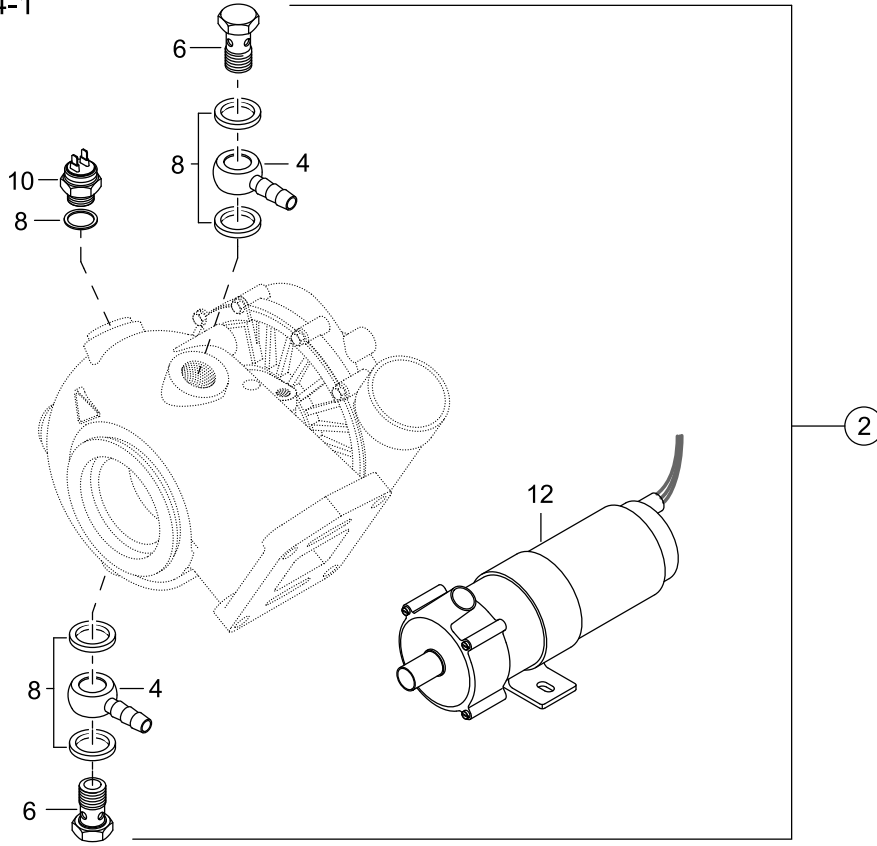


TA 6012

306 MARINE
H43WJ HIGH POWER
+ SOLAS

**HEATING UNIT, CIRCULATION PUMP
(ACCESSORY)**

60126084-1



HEATING UNIT, CIRCULATION PUMP (ACCESSORY)	306 MARINE <small>H43WJ HIGH POWER</small> + SOLAS
---	--

60126084-1

Pos.	Part.-No.	Qty	Designation	Step
2	2178774-0	1	HOT WATER FITTING KIT (WITH WATER COOLED TURBO)	.2
4	2178770-0	2	BANJO	..3
6	9000093-0	2	HOLLOW SCREW M22x1,5 DIN 7643-18-A3C	..3
8	3098026-0	5	SEALING RING DIN 7603-A22x27-CU	..3
10	2178771-0	1	THERMO SWITCH, HEATINGPUMP	..3
12	2178772-0	1	CIRCULATION PUMP	..3
14	2178774-2	1	HOT WATER FITTING KIT W. PUMP (W/O WATER COOLED TURBO)	.2
16	2178770-0	1	BANJO	..3
18	9000093-0	1	HOLLOW SCREW M22x1,5 DIN 7643-18-A3C	..3
20	3098026-0	3	SEALING RING DIN 7603-A22x27-CU	..3
22	2178698-0	1	NIPPLE HEATER ON OILCOOLER	..3
24	3098013-0	1	SEALING RING DIN 7603-A12x18-CU	..3
30	2178771-0	1	THERMO SWITCH, HEATINGPUMP	..3
40	2180078-0	1	ADAPTER THERMO SWITCH	..3
50	2179242-0	1	O-RING 27x2,5	..3
60	2178772-0	1	CIRCULATION PUMP	..3

